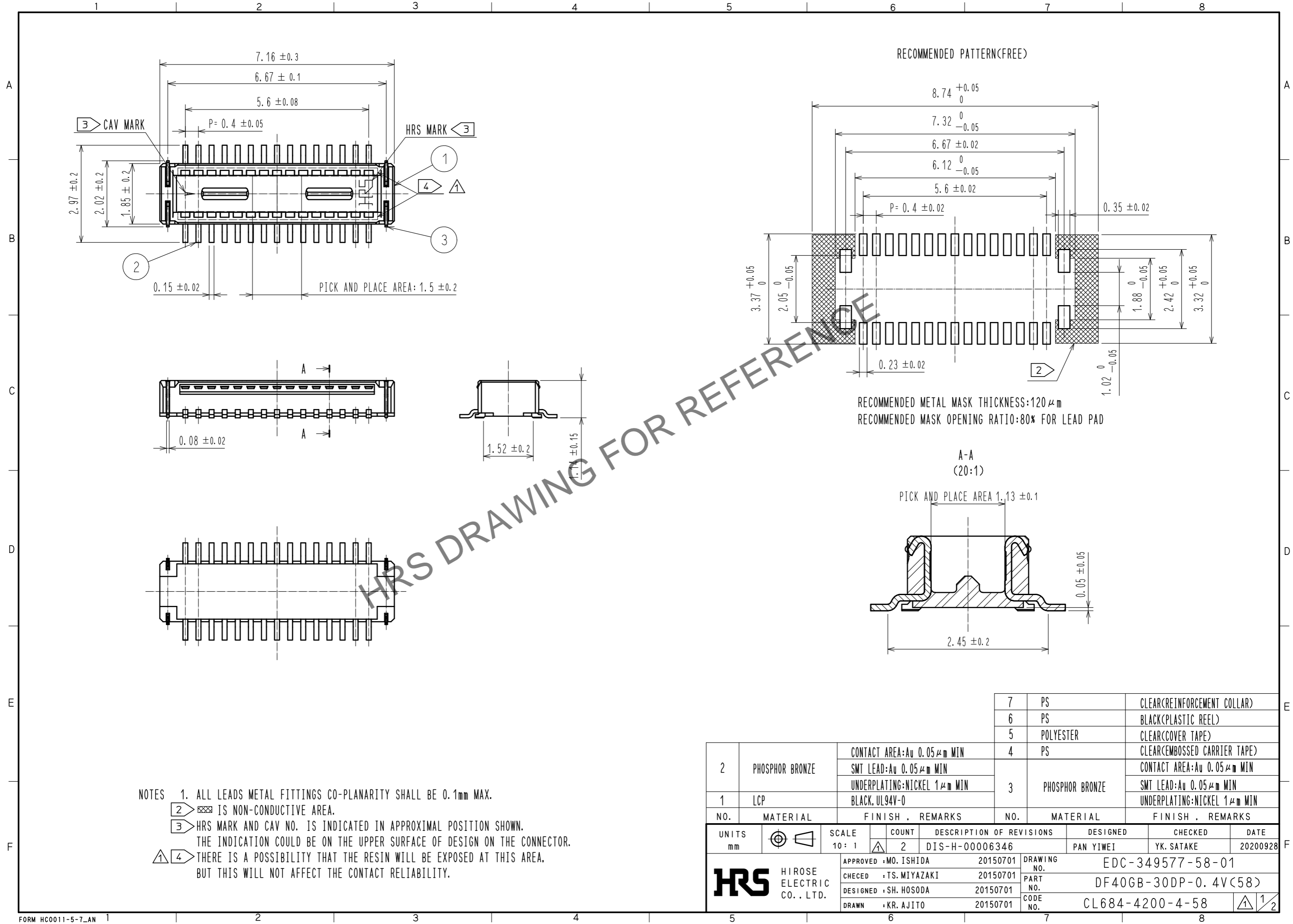


Apr.1.2024 Copyright 2024 HIROSE ELECTRIC CO., LTD. All Rights Reserved.
In case of consideration for using Automotive equipment / device which demand high reliability, kindly contact our sales window correspondents.



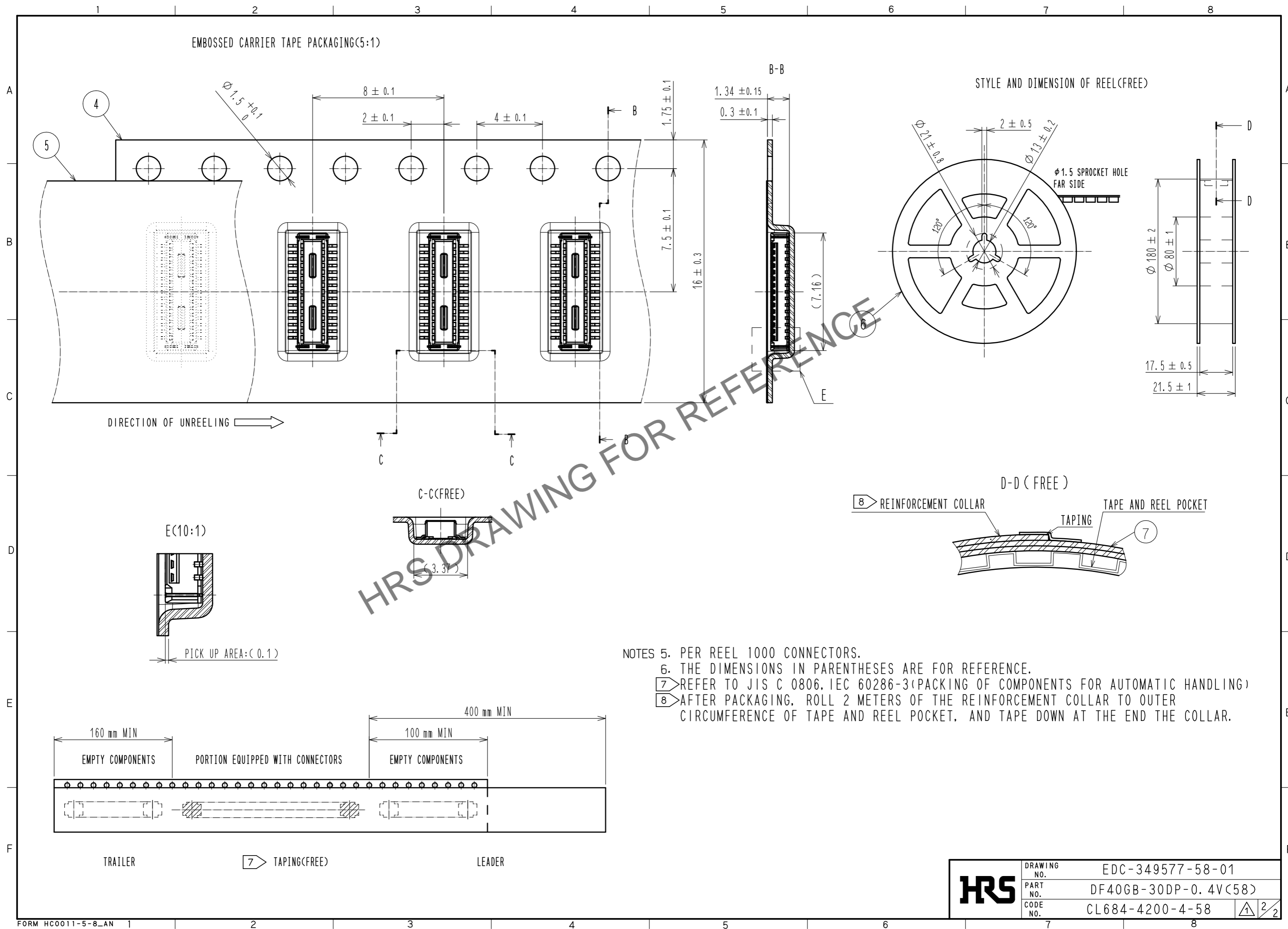
NOTES

1. ALL LEADS METAL FITTINGS CO-PLANARITY SHALL BE 0.1mm MAX.
2. IS NON-CONDUCTIVE AREA.
3. HRS MARK AND CAV NO. IS INDICATED IN APPROXIMAL POSITION SHOWN. THE INDICATION COULD BE ON THE UPPER SURFACE OF DESIGN ON THE CONNECTOR.
4. THERE IS A POSSIBILITY THAT THE RESIN WILL BE EXPOSED AT THIS AREA, BUT THIS WILL NOT AFFECT THE CONTACT RELIABILITY.

2	PHOSPHOR BRONZE	CONTACT AREA: Au 0.05 μm MIN	7	PS	CLEAR(REINFORCEMENT COLLAR)
		SMT LEAD: Au 0.05 μm MIN	6	PS	BLACK(PLASTIC REEL)
		UNDERPLATING: NICKEL 1 μm MIN	5	POLYESTER	CLEAR(COVER TAPE)
1	LCP	BLACK, UL94V-0	4	PS	CLEAR(EMBOSSED CARRIER TAPE)
NO.	MATERIAL	FINISH . REMARKS	NO.	MATERIAL	FINISH . REMARKS
			3	PHOSPHOR BRONZE	CONTACT AREA: Au 0.05 μm MIN
					SMT LEAD: Au 0.05 μm MIN
					UNDERPLATING: NICKEL 1 μm MIN

UNITS		SCALE	COUNT	DESCRIPTION OF REVISIONS	DESIGNED	CHECKED	DATE
mm		10:1	2	DIS-H-00006346	PAN YIWEI	YK. SATAKE	20200928
HRS HIROSE ELECTRIC CO., LTD.		APPROVED : MO. ISHIDA	20150701	DRAWING NO. EDC-349577-58-01			
		CHECKED : TS. MIYAZAKI	20150701	PART NO. DF40GB-30DP-0.4V(58)			
		DESIGNED : SH. HOSODA	20150701	CODE NO. CL684-4200-4-58			
		DRAWN : KR. AJITO	20150701				

Apr.1.2024 Copyright 2024 HIROSE ELECTRIC CO., LTD. All Rights Reserved.
 In case of consideration for using Automotive equipment / device which demand high reliability, kindly contact our sales window correspondents.



HRS	DRAWING NO.	EDC-349577-58-01
	PART NO.	DF40GB-30DP-0.4V(58)
	CODE NO.	CL684-4200-4-58
		2/2