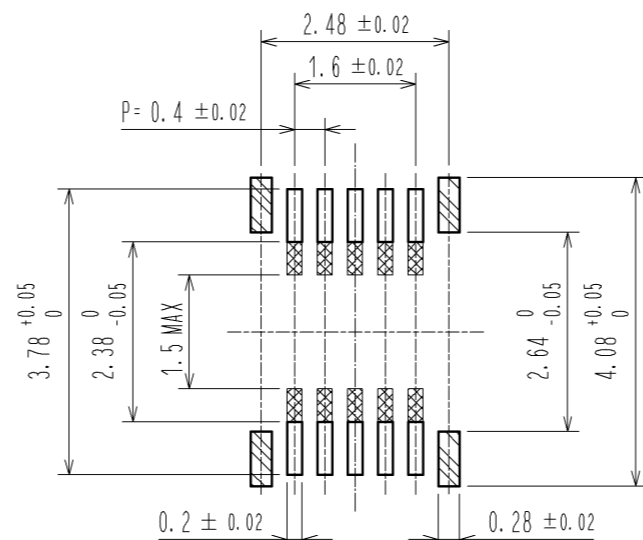
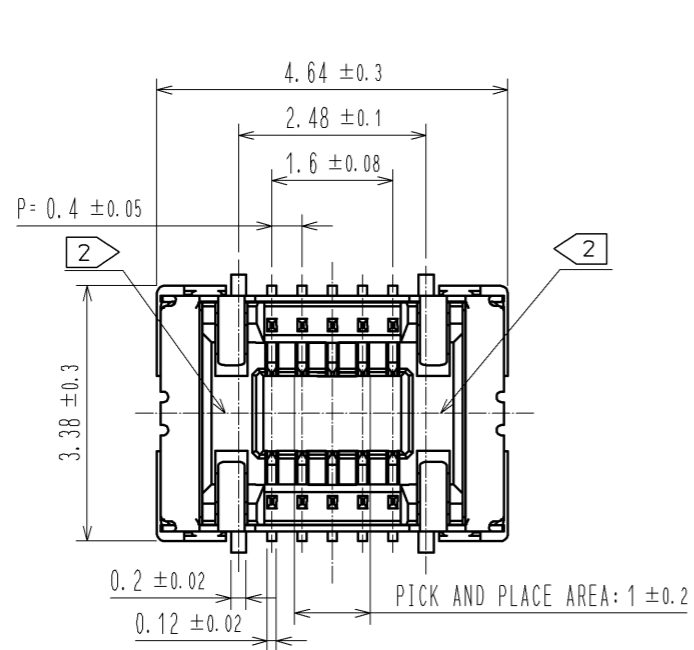


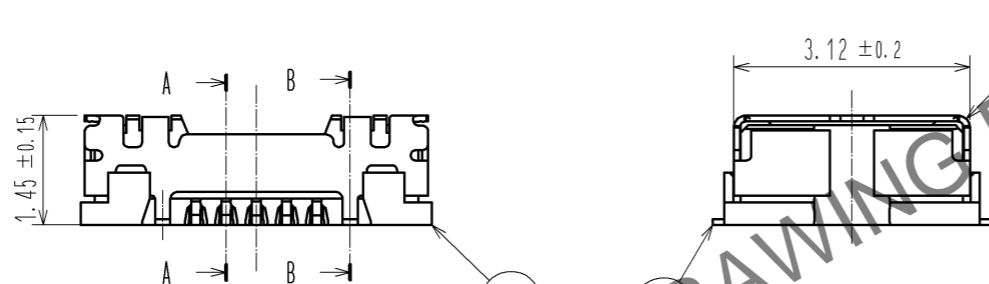
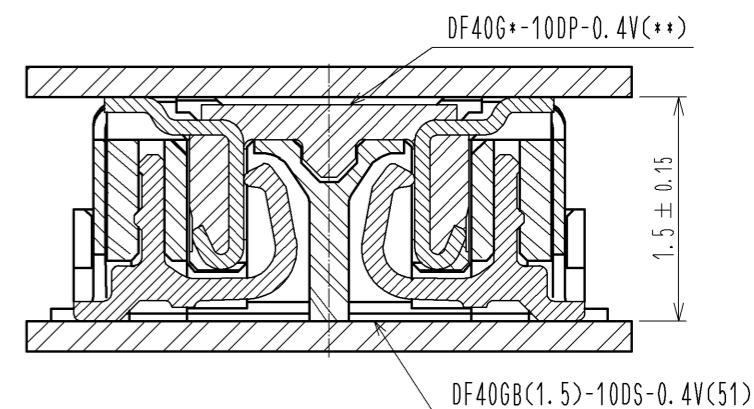
May.1.2024 Copyright 2024 HIROSE ELECTRIC CO., LTD. All Rights Reserved.
In case of consideration for using Automotive equipment / device which demand high reliability, kindly contact our sales window correspondents.

RECOMMENDED PATTERN (10:1)

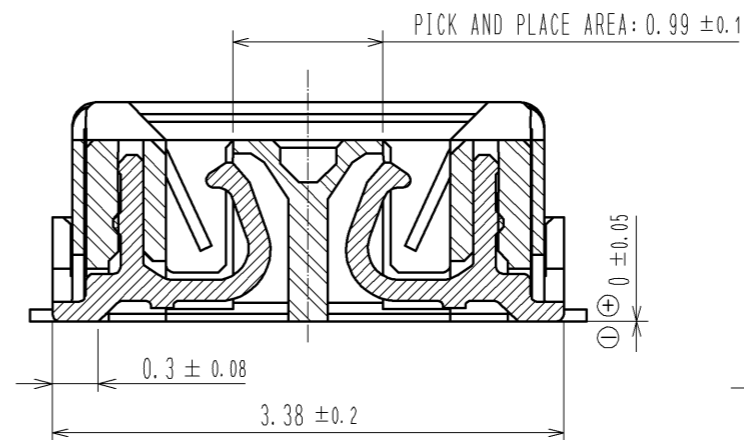


: SIGNAL
 : GROUND
 : NON-CONDUCTIVE AREA
 RECOMMENDED METAL MASK THICKNESS: 120 μm
 RECOMMENDED MASK OPENING RATIO: 80% FOR LEAD PAD

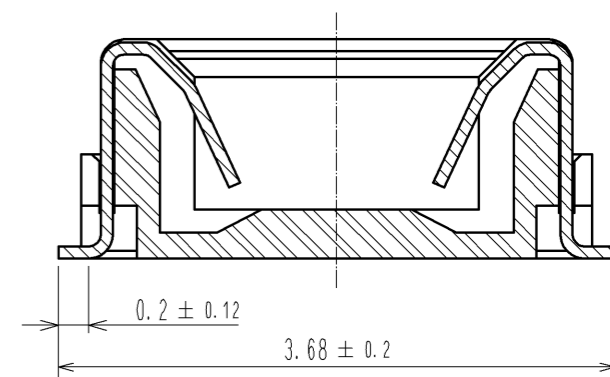
ENGAGEMENT FIGURE (20:1)



A-A (20:1)



B-B (20:1)



NOTES 1. ALL LEADS CO-PLANARITY SHALL BE 0.1mm MAX.
 2. HRS MARK AND CAV No. ARE INDICATED IN APPROX POSITION SHOWN.

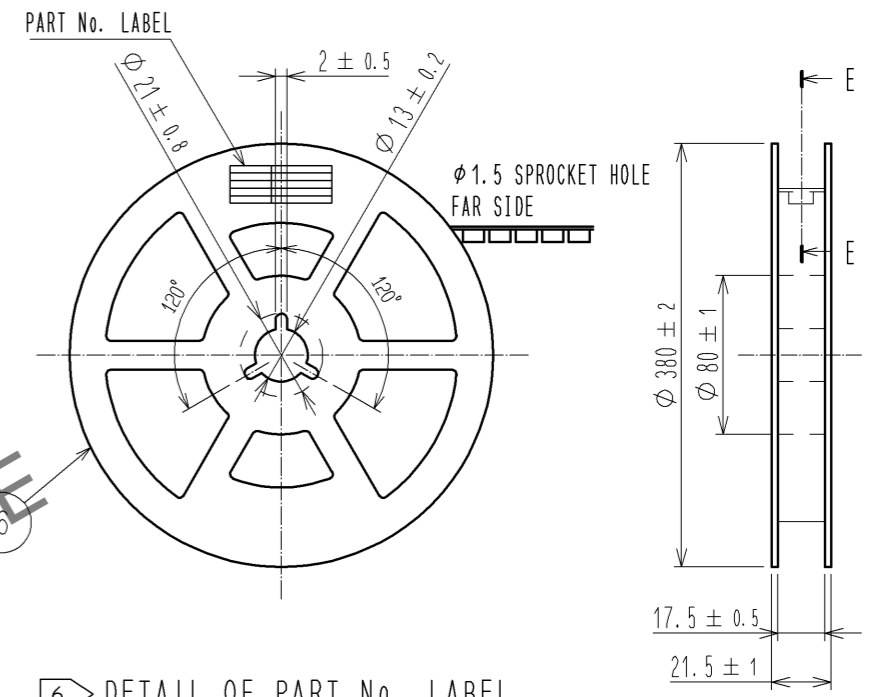
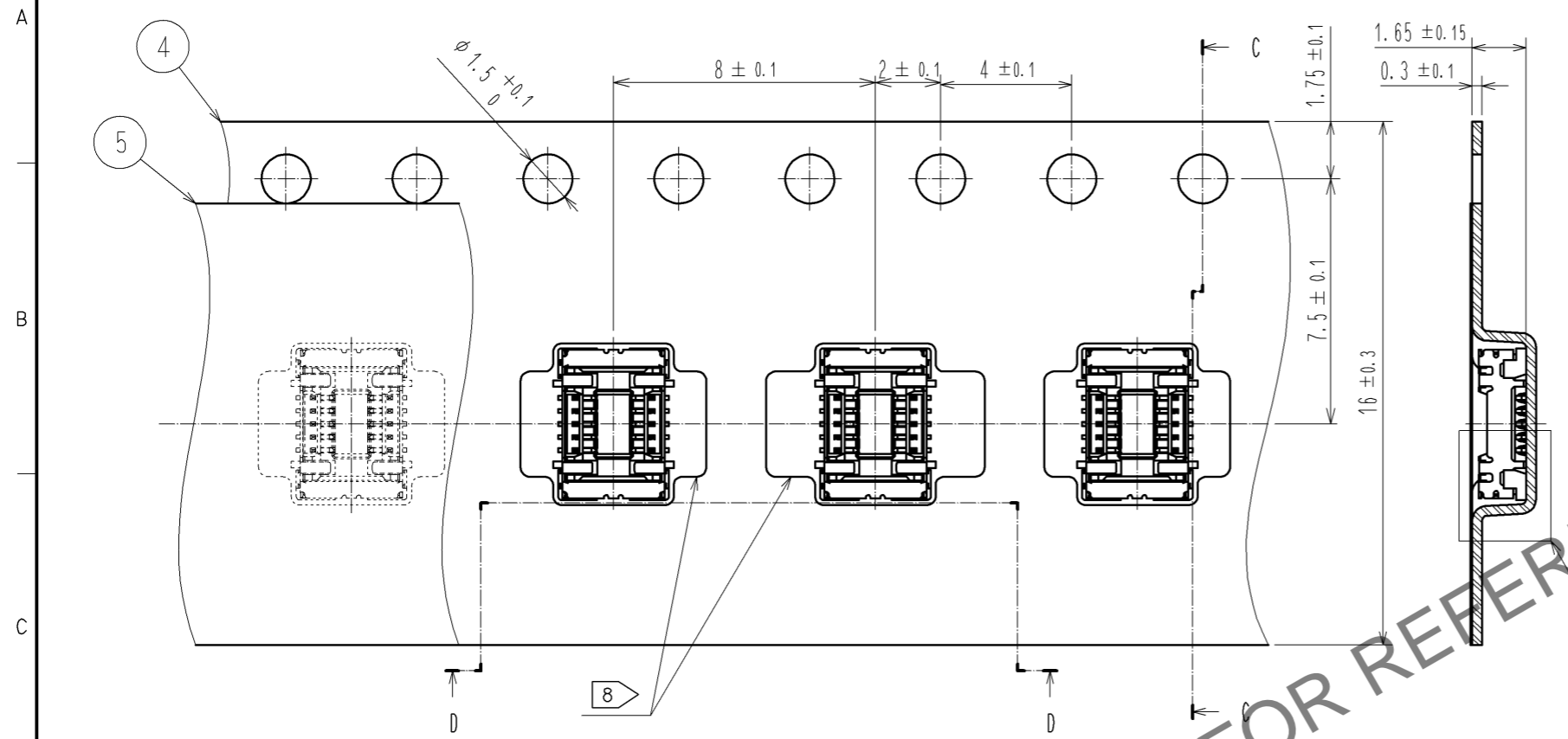
2	PHOSPHOR BRONZE	CONTACT AREA: GOLD 0.05 μm MIN SMT LEAD: GOLD 0.05 μm MIN UNDERPLATING: NICKEL 1 μm MIN	7	PS	CLEAR (REINFORCEMENT COLLAR)
1	LCP	BLACK, UL94V-0	6	PS	BLACK (PLASTIC REEL)
			5	POLYESTER	CLEAR (COVER TAPE)
			4	PS	CLEAR (EMBOSSED CARRIER TAPE)
			3	PHOSPHOR BRONZE	CONTACT AREA: GOLD 0.05 μm MIN SMT LEAD: GOLD 0.05 μm MIN UNDERPLATING: NICKEL 1 μm MIN
NO.	MATERIAL	FINISH . REMARKS	NO.	MATERIAL	FINISH . REMARKS
UNITS		SCALE	COUNT	DESCRIPTION OF REVISIONS	
mm		10 : 1		DESIGNED	CHECKED
HRS HIROSE ELECTRIC CO., LTD.		APPROVED : MO. ISHIDA	14.09.25	DRAWING NO. EDC3-359671-01	
		CHECED : YH. MICHIDA	14.09.25	PART NO. DF40GB(1.5)-10DS-0.4V(51)	
		DESIGNED : SJ. WADA	14.09.25	CODE NO. CL684-4224-2-51	
		DRAWN : SJ. WADA	14.09.25	DATE	

May.1.2024 Copyright 2024 HIROSE ELECTRIC CO., LTD. All Rights Reserved.
In case of consideration for using Automotive equipment / device which demand high reliability, kindly contact our sales window correspondents.

EMBOSED CARRIER TAPE PACKAGING (5:1)

C-C (5:1)

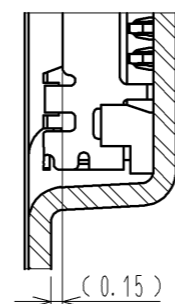
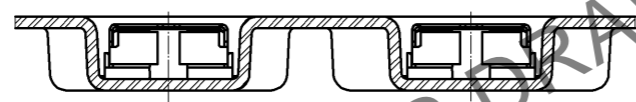
STYLE AND DIMENSION OF REEL (FREE)



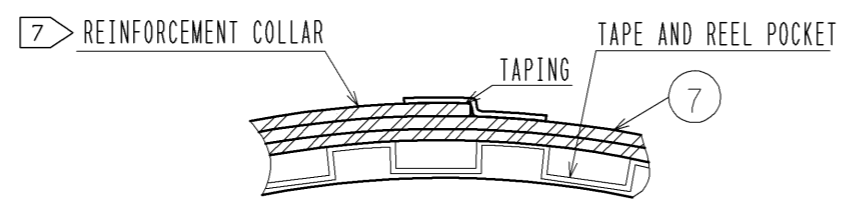
DIRECTION OF UNREELING \rightarrow

D-D (5:1)

F (10:1)



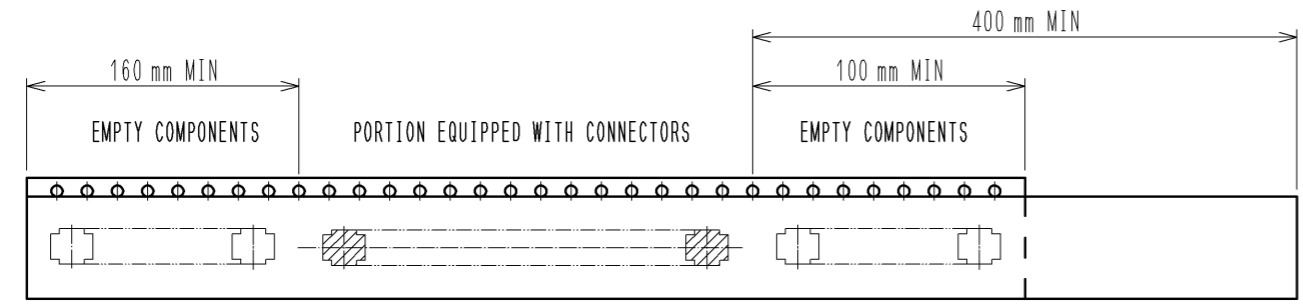
E-E (FREE)



6 > DETAIL OF PART No. LABEL

製造年月日	** ** *
製品コード	CL684-4224-2-51
製品名	DF40GB(1.5)-10DS-0.4V(51)
数量	5,000
納入者	ヒロセ電機(株)

- NOTES
- PER REEL 5000 CONNECTORS.
 - THE DIMENSIONS IN PARENTHESES ARE FOR REFERENCE.
 - REFER TO JIS C 0806 (IEC 60286-3)(PACKING OF COMPONENTS FOR AUTOMATIC HANDLING)
 - DETAIL OF PART No. LABEL IS WRITTEN IN JAPANESE.
PART No. LABEL DESCRIBES THE FOLLOWING INFORMATION FROM TOP.
PRODUCTION DATE:
PRODUCT CODE: CL684-4224-2-51
PART NUMBER: DF40GB(1.5)-10DS-0.4V(51)
NUMBER OF PIECES: 5000 PIECES
SUPPLIER NAME: HIROSE ELECTRIC CO., LTD.
 - AFTER PACKAGING, ROLL 2 METERS OF THE REINFORCEMENT COLLAR TO OUTER CIRCUMFERENCE OF TAPE AND REEL POCKET, AND TAPE DOWN AT THE END THE COLLAR.
 - ONE OF SEVERAL IS DIFFERENT IN FORM OF THE EMBOSED CARRIER TAPE.



TRAILER

5 > TAPING

LEADER

HRS	DRAWING NO.	EDC3-359671-01	
	PART NO.	DF40GB(1.5)-10DS-0.4V(51)	
	CODE NO.	CL684-4224-2-51	\triangle 2/2