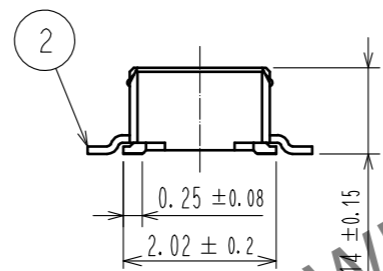
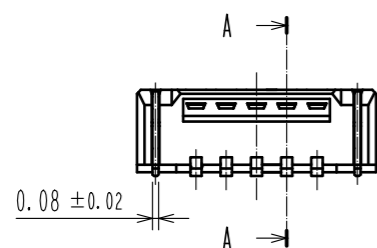
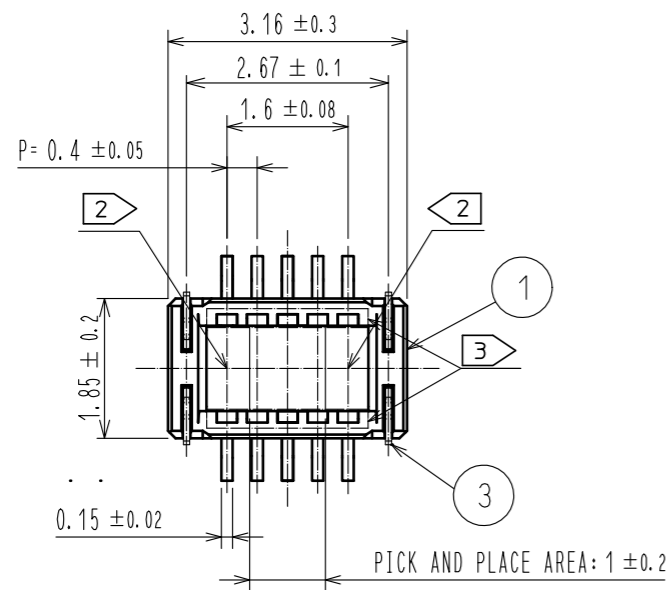
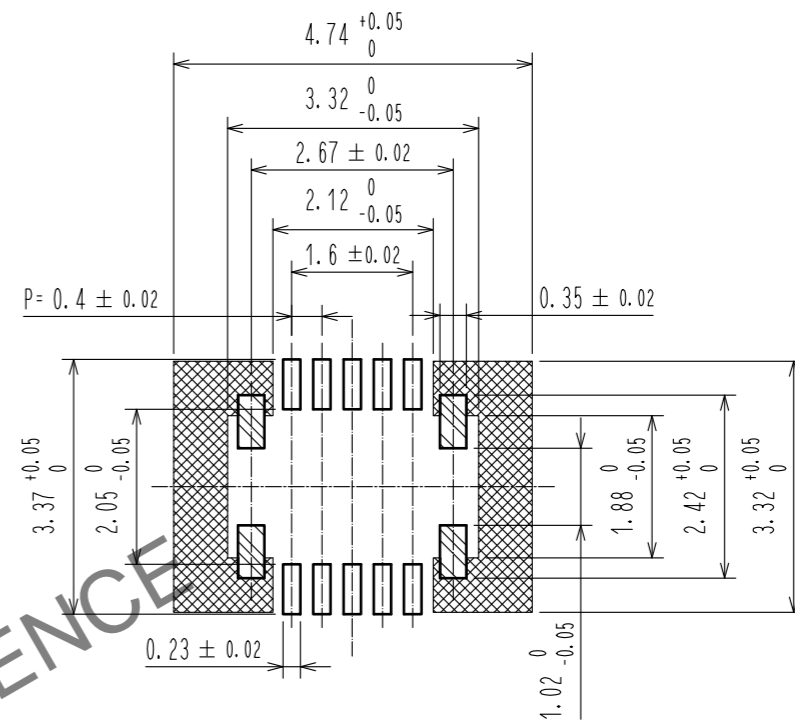


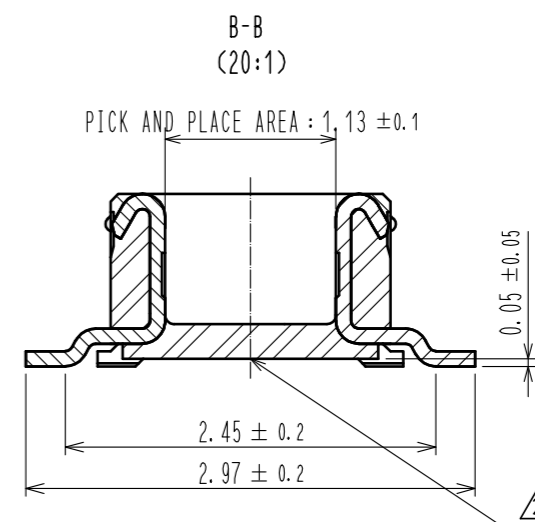
May.1.2024 Copyright 2024 HIROSE ELECTRIC CO., LTD. All Rights Reserved.  
In case of consideration for using Automotive equipment / device which demand high reliability, kindly contact our sales window correspondents.



RECOMMENDED PATTERN (10:1)



: SIGNAL  
  : GROUND  
  : NON-CONDUCTIVE AREA  
 RECOMMENDED METAL MASK THICKNESS: 120 μm  
 RECOMMENDED MASK OPENING RATIO: 80% FOR LEAD PAD



- NOTES
1. ALL LEADS CO-PLANARITY SHALL BE 0.1mm MAX.
  - 2 HRS MARK AND CAV No. ARE INDICATED IN APPROX POSITION SHOWN.
  - 3 THERE IS A POSSIBILITY THAT THE RESIN WILL BE EXPOSED AT THIS AREA, BUT THIS WILL NOT AFFECT THE CONTACT RELIABILITY.

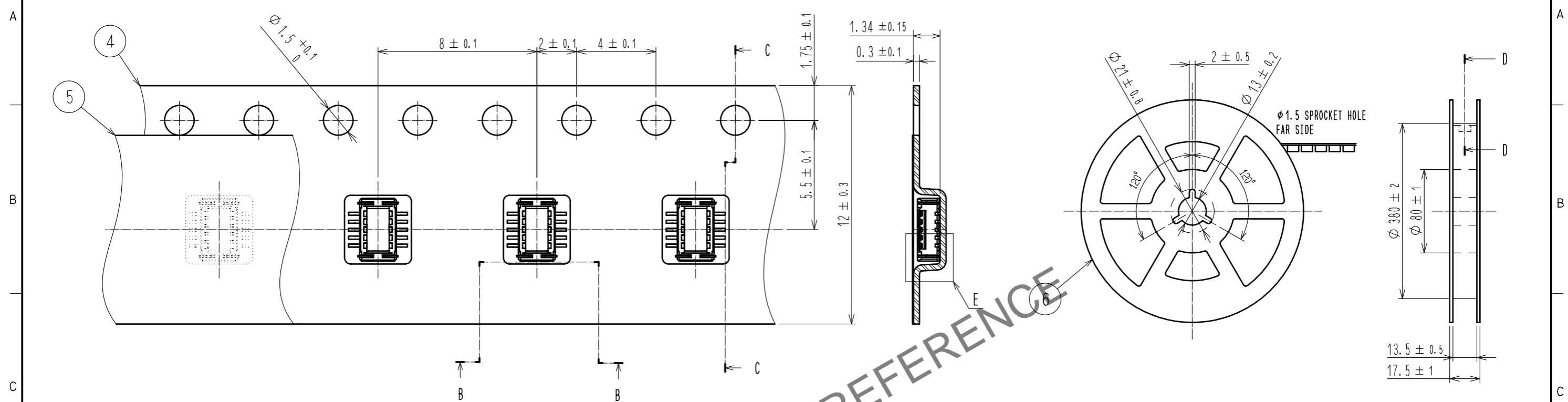
2	PHOSPHOR BRONZE	CONTACT AREA:GOLD 0.05 μm MIN SMT LEAD:GOLD 0.05 μm MIN UNDERPLATING:NICKEL 1 μm MIN	7	PS	CLEAR (REINFORCEMENT COLLAR)		
1	LCP	BLACK, UL94V-0	6	PS	BLACK (PLASTIC REEL)		
			5	POLYESTER	CLEAR (COVER TAPE)		
			4	PS	CLEAR (EMBOSSED CARRIER TAPE)		
			3	PHOSPHOR BRONZE	CONTACT AREA:GOLD 0.05 μm MIN SMT LEAD:GOLD 0.05 μm MIN UNDERPLATING:NICKEL 1 μm MIN		
NO.	MATERIAL	FINISH . REMARKS	NO.	MATERIAL	FINISH . REMARKS		
UNITS		SCALE	COUNT	DESCRIPTION OF REVISIONS	DESIGNED	CHECKED	DATE
mm		10: 1	1	DIS-H-00006416	PAN YIWEI	TS.MIYAZAKI	20201007
APPROVED :MO. ISHIDA		20140925		DRAWING NO. EDC-359672-51-01			
CHECED :YH. MICHIDA		20140925		PART NO. DF40GB-10DP-0.4V(51)			
DESIGNED :S.J. WADA		20140925		CODE NO. CL684-4225-5-51			
DRAWN :S.J. WADA		20140925		1/2			

May.1.2024 Copyright 2024 HIROSE ELECTRIC CO., LTD. All Rights Reserved.  
In case of consideration for using Automotive equipment / device which demand high reliability, kindly contact our sales window correspondents.

EMBOSED CARRIER TAPE PACKAGING(5:1)

C-C (5:1)

STYLE AND DIMENSION OF REEL (FREE)

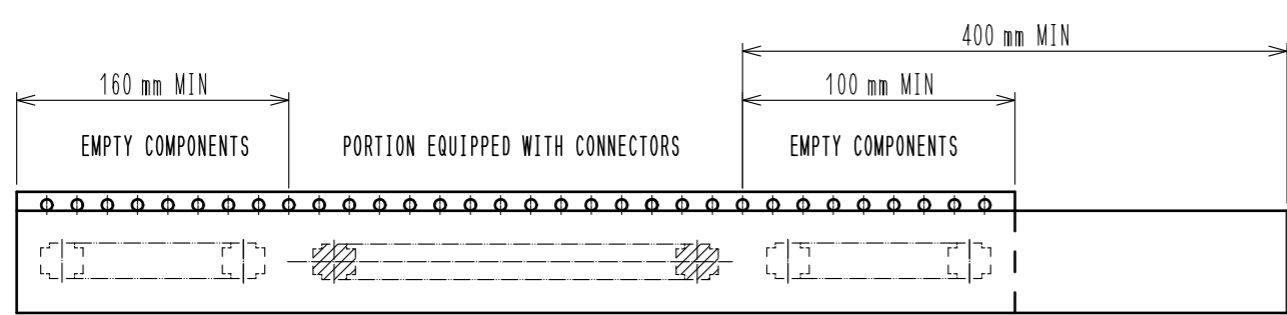
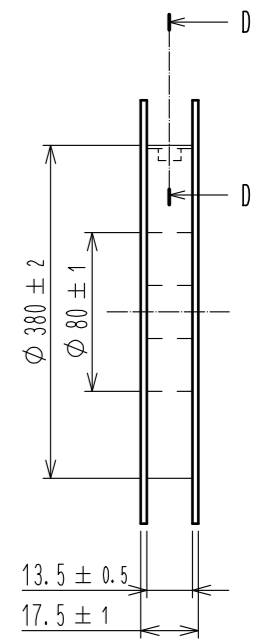
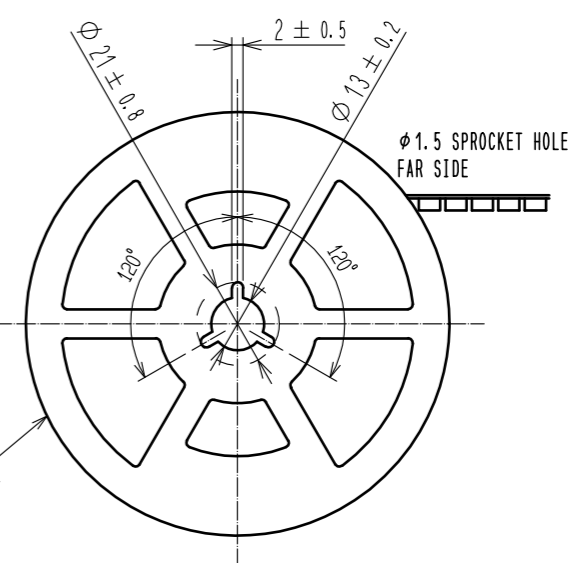
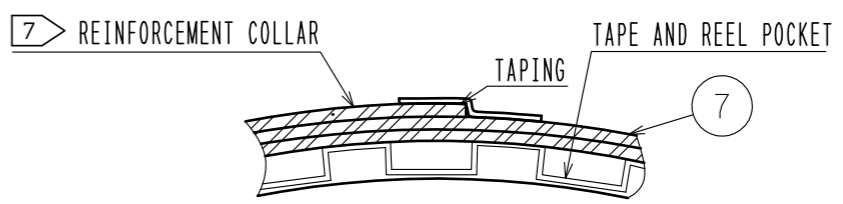
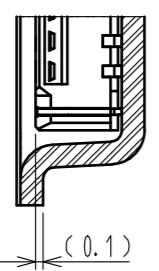
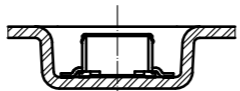


DIRECTION OF UNREELING  $\rightarrow$

B-B (5:1)

D-D (FREE)

E (10:1)



6 TAPING (FREE)

- NOTES
4. PER REEL 5000 CONNECTORS.
  5. THE DIMENSIONS IN PARENTHESES ARE FOR REFERENCE.
  - 6 REFER TO JIS C 0806 (IEC 60286-3, PACKING OF COMPONENTS FOR AUTOMATIC HANDLING)
  - 7 AFTER PACKAGING, ROLL 2 METERS OF THE REINFORCEMENT COLLAR TO OUTER CIRCUMFERENCE OF TAPE AND REEL POCKET, AND TAPE DOWN AT THE END THE COLLAR.

<b>HRS</b>	DRAWING NO.	EDC-359672-51-01
	PART NO.	DF40GB-10DP-0.4V(51)
	CODE NO.	CL684-4225-5-51
		$\frac{2}{2}$