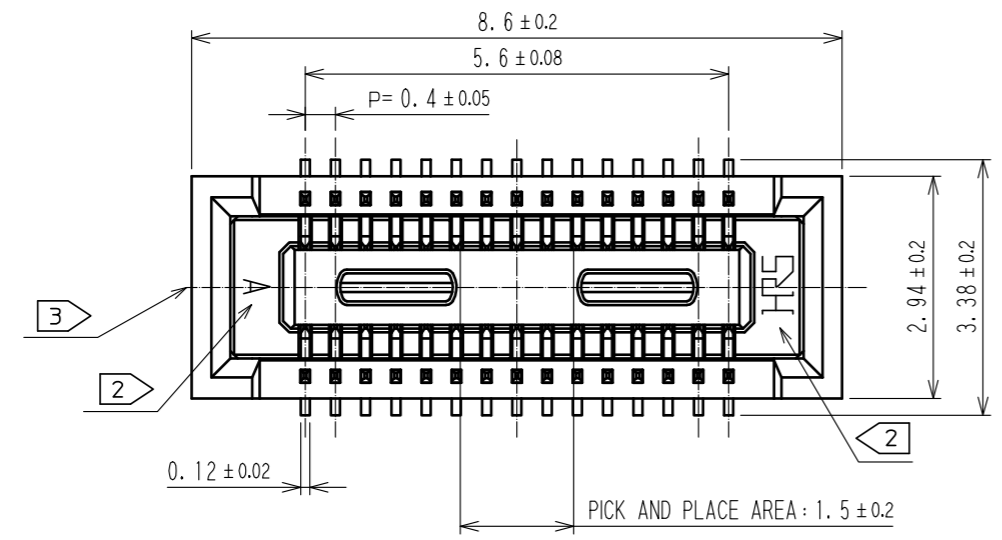
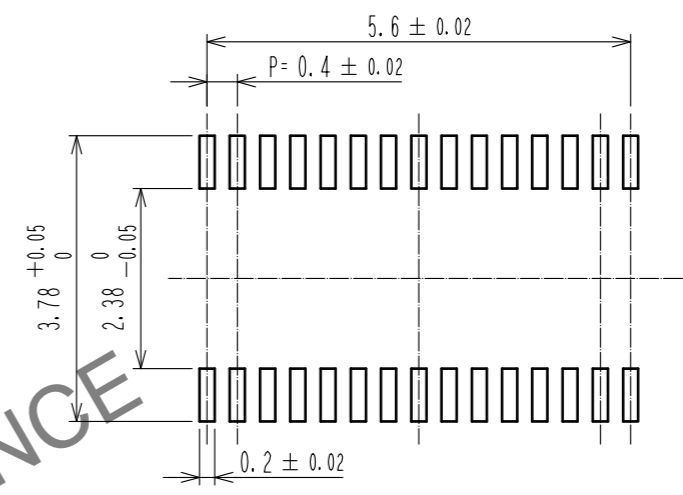


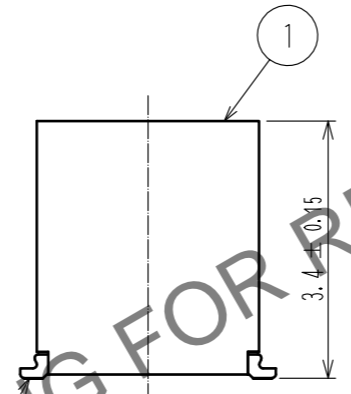
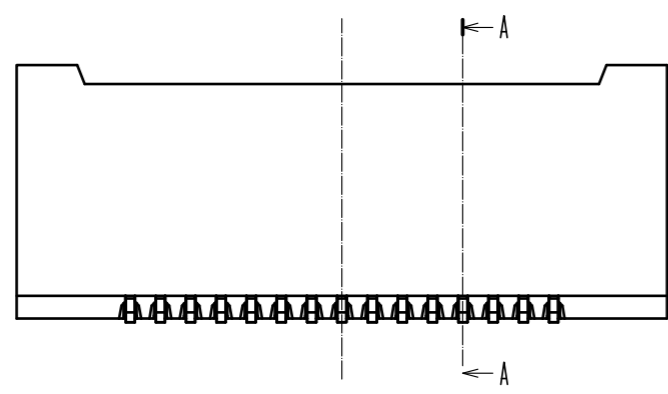
Jul.1.2024 Copyright 2024 HIROSE ELECTRIC CO., LTD. All Rights Reserved.
 In case of consideration for using Automotive equipment / device which demand high reliability, kindly contact our sales window correspondents.



RECOMMENDED PATTERN

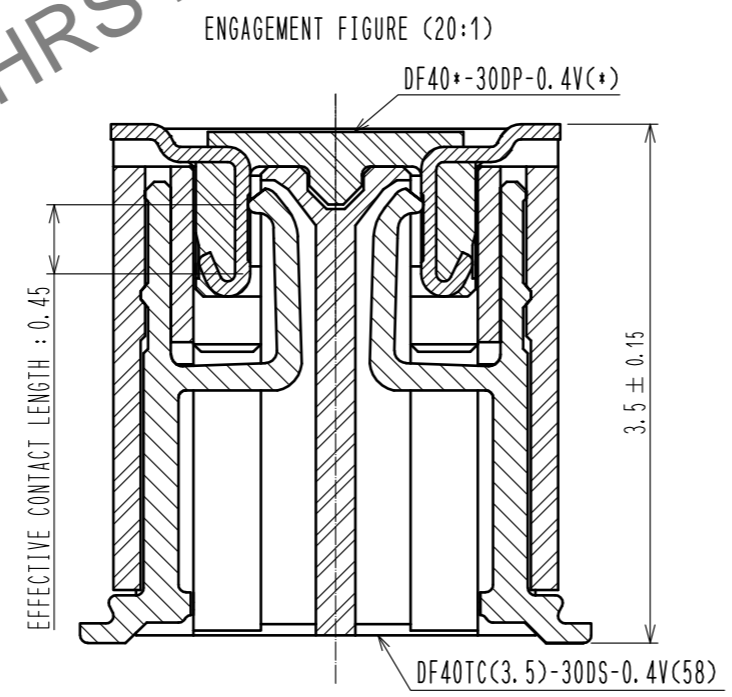
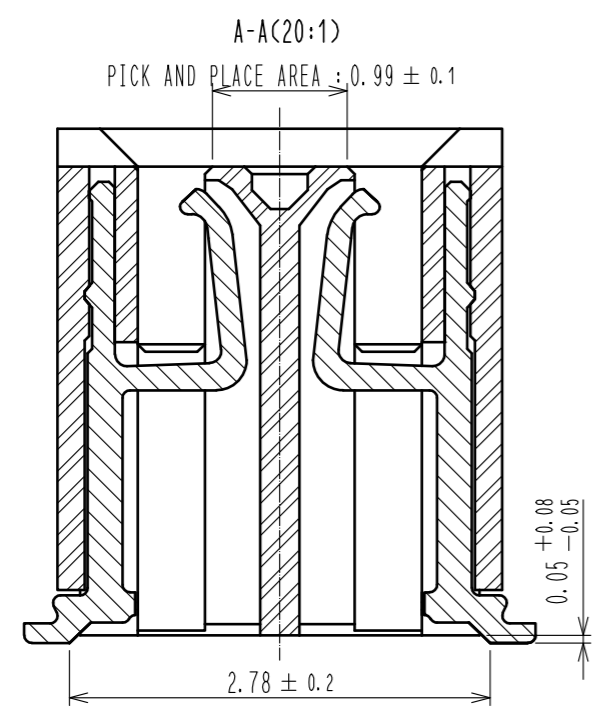


RECOMMENDED METAL MASK THICKNESS : 120 μm
 RECOMMENDED METAL MASK OPENING RATIO : 80% FOR LEAD PAD



HRS DRAWING FOR REFERENCE

- NOTES) 1. ALL LEADS CO-PLANARITY SHALL BE 0.1 MAX.
 2. HRS MARK AND CAV NO. ARE LOCATED IN APPROXIMAL AREA.
 3. GATE IS LOCATED IN APPROXIMAL AREA.

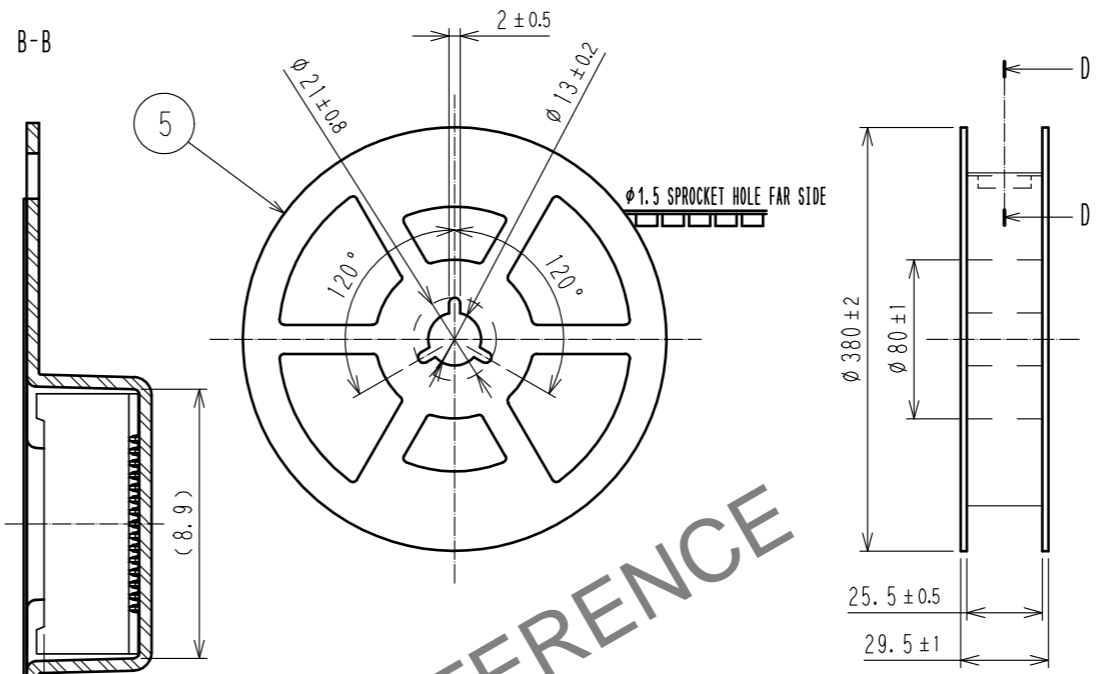
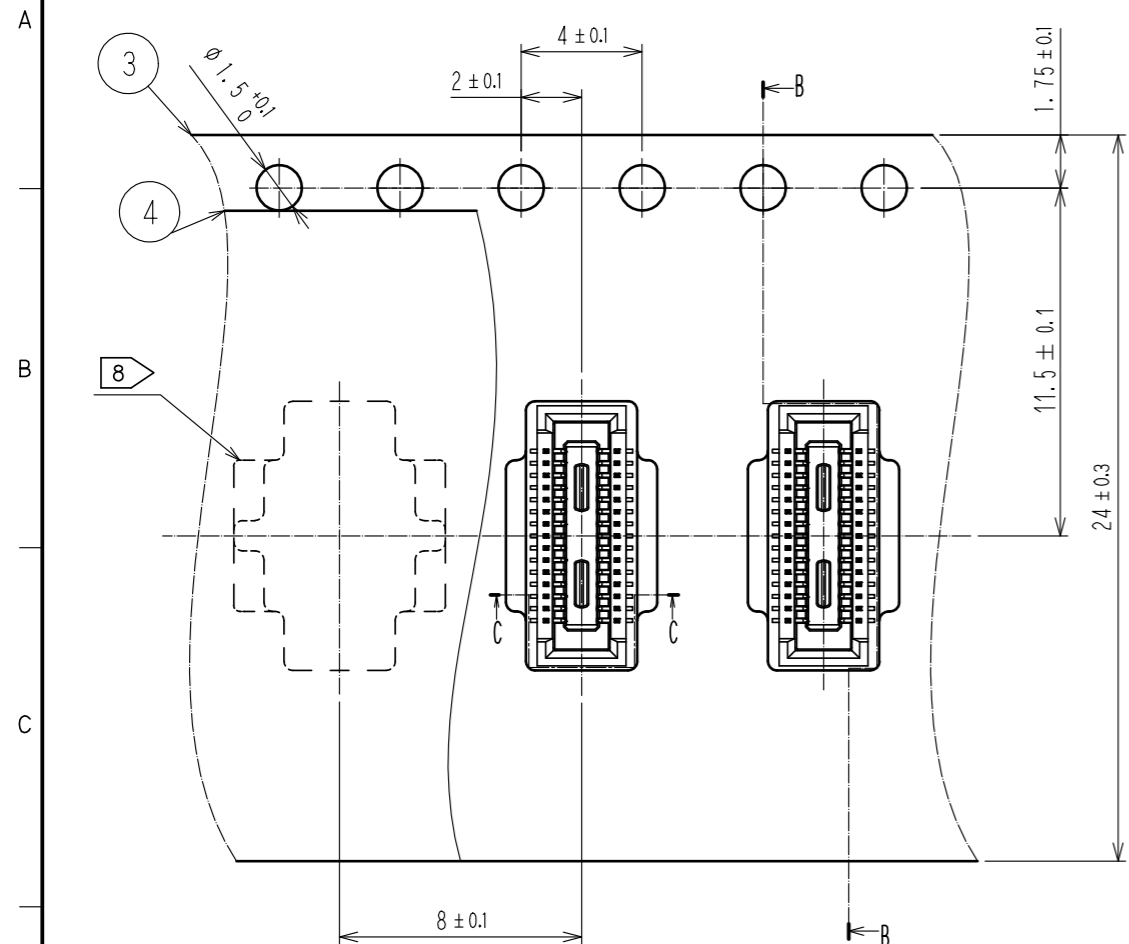


2	COPPER ALLOY	CONTACT AREA:GOLD 0.05 μm MIN SMT LEAD:GOLD 0.05 μm MIN UNDERPLATING:NICKEL 1 μm MIN	6	PS	CLEAR, REINFORCEMENT COLLAR
			5	PS	BLACK
			4	POLYESTER	CLEAR, COVER TAPE
1	LCP	BLACK, UL94V-0	3	PS	CLEAR, EMBOSSED CARRIER TAPE
NO.	MATERIAL	FINISH, REMARKS	NO.	MATERIAL	FINISH, REMARKS
UNITS	⊙	SCALE	COUNT	DESCRIPTION OF REVISIONS	
mm		10:1	△	DESIGNED	CHECKED
HRS HIROSE ELECTRIC CO., LTD.		APPROVED : WR. FUKUCHI 20210402	DRAWING NO. EDC-380574-58-00		
		CHECED : TS. MIYAZAKI 20210402	PART NO. DF40TC(3.5)-30DS-0.4V(58)		
		DESIGNED : YK. SATAKE 20210402	CODE NO. CL0684-4237-0-58		
		DRAWN : YK. SATAKE 20210402	1/2		

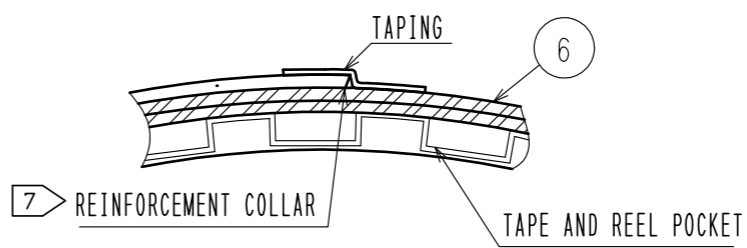
In case of consideration for using Automotive equipment / device which demand high reliability, kindly contact our sales window correspondents.

EMBOSSED CARRIER TAPE PACKAGING (FREE)

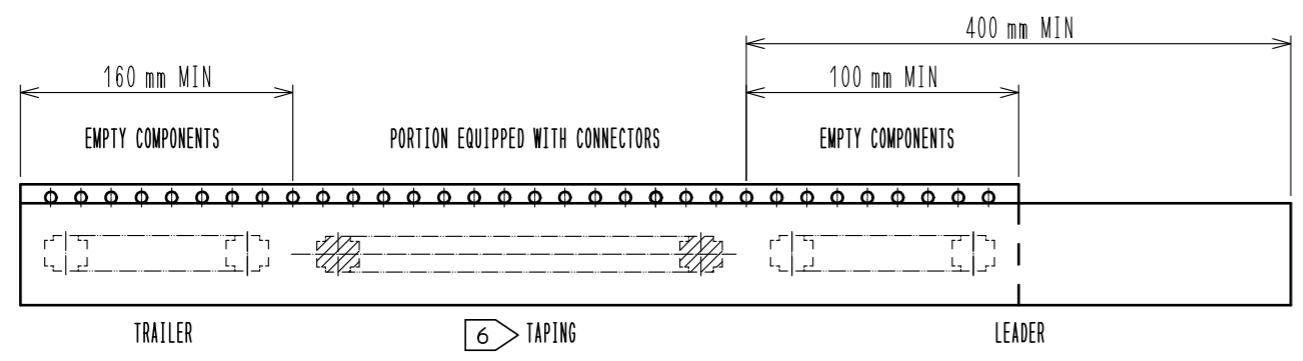
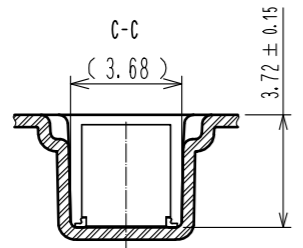
STYLE AND DIMENSION OF REEL (FREE)



D-D (FREE)



DIRECTION OF UNREELING →



HRS DRAWING FOR REFERENCE

- NOTES
- 4. PER REEL 1000 CONNECTORS.
 - 5. THE DIMENSIONS IN PARENTHESES ARE FOR REFERENCE.
 - 6. REFER TO JIS C 0806(IEC 60286-3)(PACKING OF COMPONENTS FOR AUTOMATIC HANDLING)
 - 7. AFTER PACKAGING, ROLL 2 METERS OF THE REINFORCEMENT COLLAR TO OUTER CIRCUMFERENCE OF TAPE AND REEL POCKET, AND TAPE DOWN AT THE END THE COLLAR.
 - 8. ONE OF SEVERAL IS DIFFERENT IN FROM OF THE EMBOSSED CARRIER TAPE TO AVOID BEING STUCK IN.

HRS	DRAWING NO.	EDC-380574-58-00	
	PART NO.	DF40TC(3.5)-30DS-0.4V(58)	
	CODE NO.	CL0684-4237-0-58	2/2