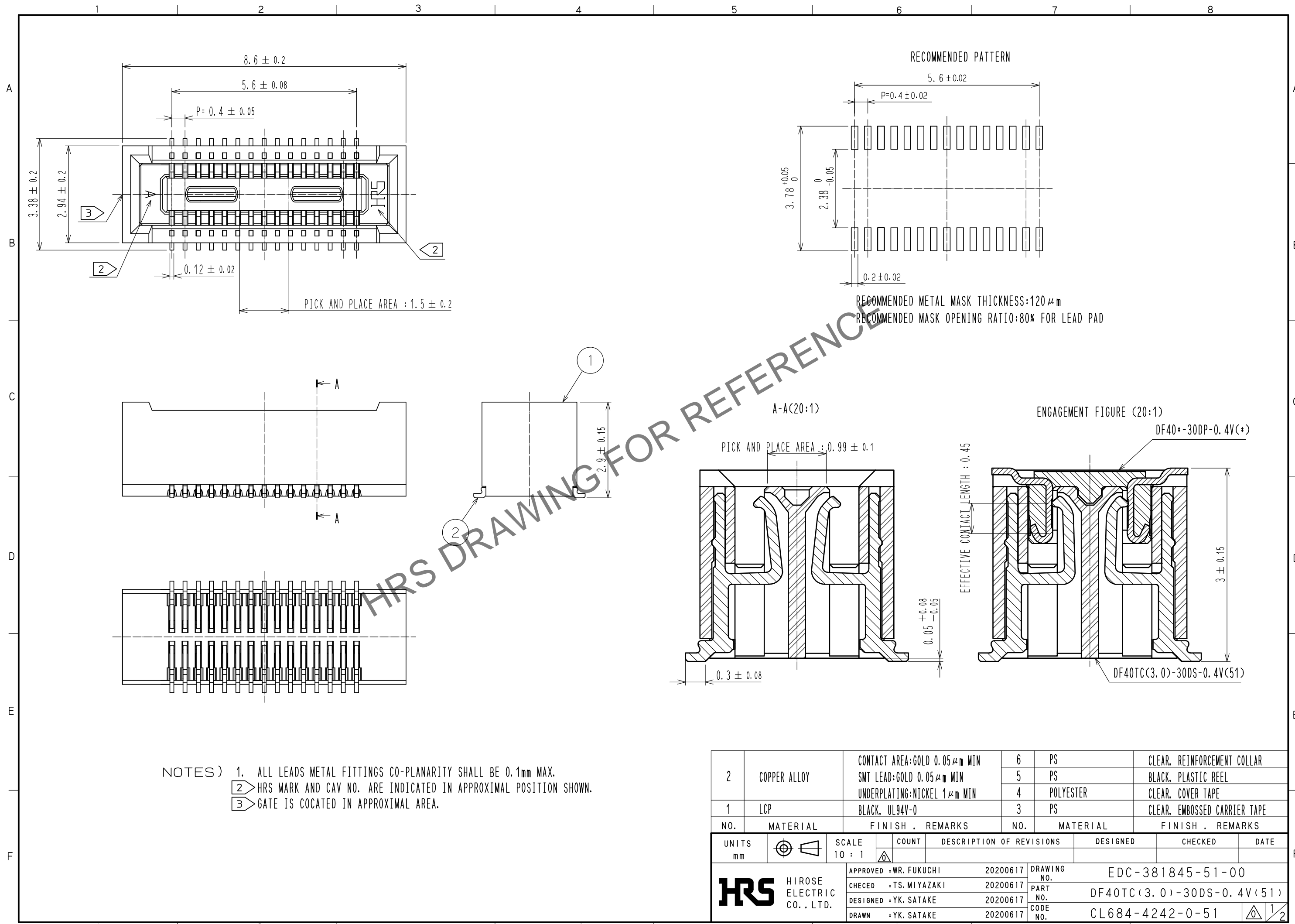


Oct.1.2024 Copyright 2024 HIROSE ELECTRIC CO., LTD. All Rights Reserved.  
In case of consideration for using Automotive equipment / device which demand high reliability, kindly contact our sales window correspondents.



NO.	MATERIAL	FINISH . REMARKS	NO.	MATERIAL	FINISH . REMARKS
2	COPPER ALLOY	CONTACT AREA: GOLD 0.05 μm MIN SMT LEAD: GOLD 0.05 μm MIN UNDERPLATING: NICKEL 1 μm MIN	6	PS	CLEAR, REINFORCEMENT COLLAR
1	LCP	BLACK, UL94V-0	5	PS	BLACK, PLASTIC REEL
			4	POLYESTER	CLEAR, COVER TAPE
			3	PS	CLEAR, EMBOSSED CARRIER TAPE

UNITS	SCALE	COUNT	DESCRIPTION OF REVISIONS	DESIGNED	CHECKED	DATE
mm	10 : 1	△	APPROVED : WR. FUKUCHI 20200617			
			CHECED : TS. MIYAZAKI 20200617			
			DESIGNED : YK. SATAKE 20200617			
			DRAWN : YK. SATAKE 20200617			

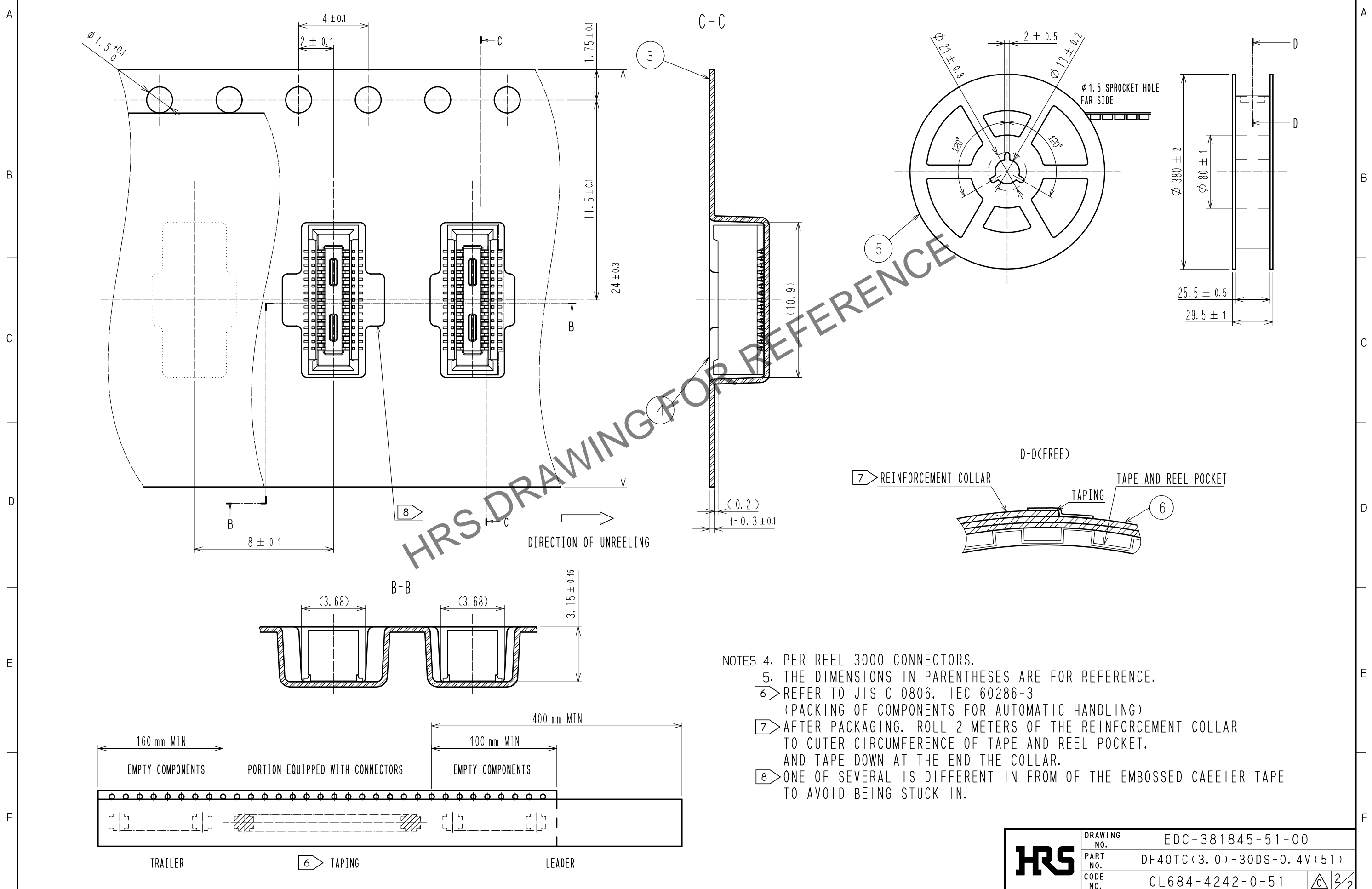
  

DRAWING NO.	EDC-381845-51-00
PART NO.	DF40TC(3.0)-30DS-0.4V(51)
CODE NO.	CL684-4242-0-51

Oct.1.2024 Copyright 2024 HIROSE ELECTRIC CO., LTD. All Rights Reserved.  
 In case of consideration for using Automotive equipment / device which demand high reliability, kindly contact our sales window correspondents.

EMBOSSED CARRIER TAPE PACKAGING (5:1)

STYLE AND DIMENSION OF REEL(FREE)



HRS DRAWING FOR REFERENCE

- NOTES
4. PER REEL 3000 CONNECTORS.
  5. THE DIMENSIONS IN PARENTHESES ARE FOR REFERENCE.
  6. REFER TO JIS C 0806, IEC 60286-3 (PACKING OF COMPONENTS FOR AUTOMATIC HANDLING)
  7. AFTER PACKAGING, ROLL 2 METERS OF THE REINFORCEMENT COLLAR TO OUTER CIRCUMFERENCE OF TAPE AND REEL POCKET. AND TAPE DOWN AT THE END THE COLLAR.
  8. ONE OF SEVERAL IS DIFFERENT IN FROM OF THE EMBOSSED CARRIER TAPE TO AVOID BEING STUCK IN.

<b>HRS</b>	DRAWING NO.	EDC-381845-51-00
	PART NO.	DF40TC(3.0)-30DS-0.4V(51)
	CODE NO.	CL684-4242-0-51
		2/2