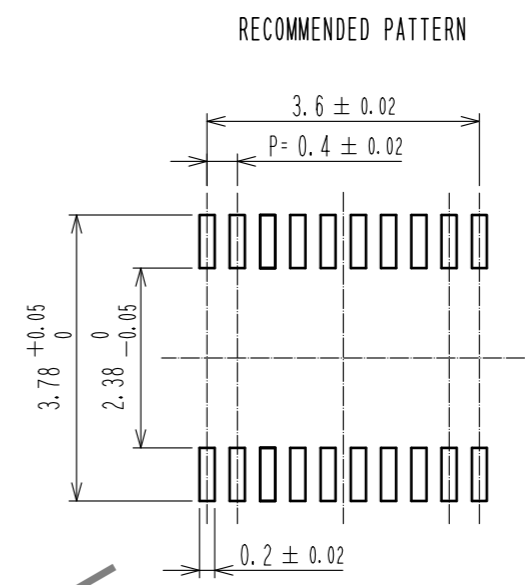
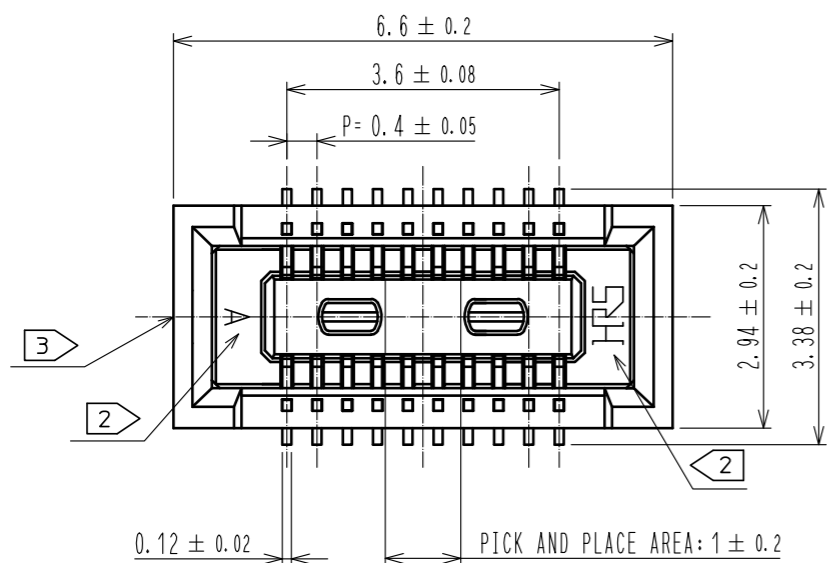
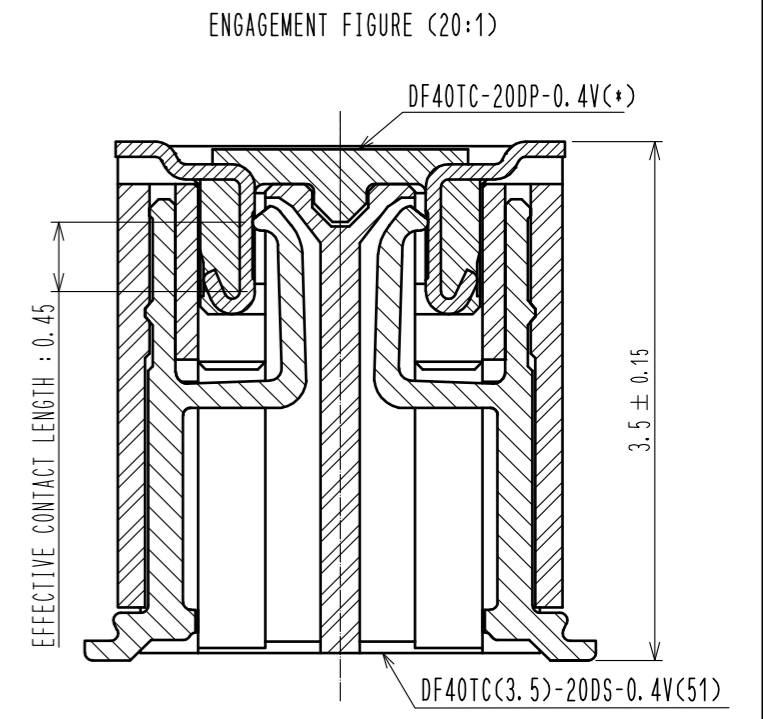
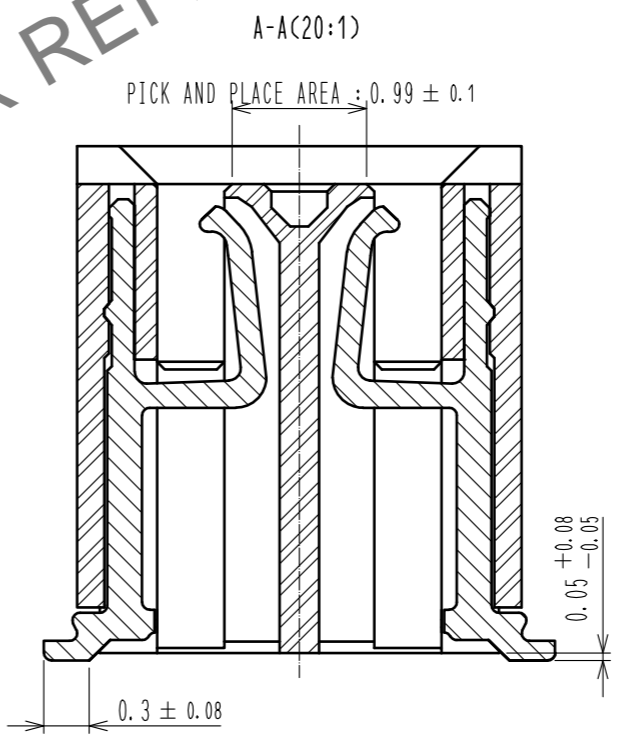
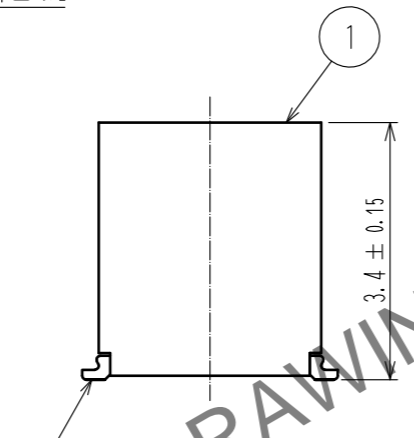
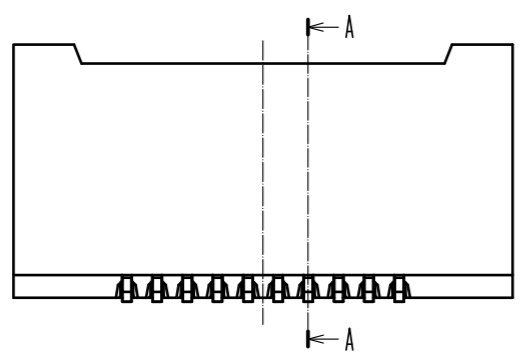


Sep.1.2024 Copyright 2024 HIROSE ELECTRIC CO., LTD. All Rights Reserved.
In case of consideration for using Automotive equipment / device which demand high reliability, kindly contact our sales window correspondents.



RECOMMENDED METAL MASK THICKNESS : 120 μm
RECOMMENDED METAL MASK OPENING RATIO : 80% FOR LEAD PAD



- NOTES) 1. ALL LEADS CO-PLANARITY SHALL BE 0.1 MAX.
2 HRS MARK AND CAV NO. ARE LOCATED IN APPROXIMAL AREA.
3 GATE IS LOCATED IN APPROXIMAL AREA.

2	COPPER ALLOY	CONTACT AREA:GOLD 0.05 μm MIN SMT LEAD:GOLD 0.05 μm MIN UNDERPLATING:NICKEL 1 μm MIN	6	PS	CLEAR, REINFORCEMENT COLLAR		
			5	PS	BLACK		
			4	POLYESTER	CLEAR, COVER TAPE		
1	LCP	BLACK, UL94V-0	3	PS	CLEAR, EMBOSSED CARRIER TAPE		
NO.	MATERIAL	FINISH, REMARKS	NO.	MATERIAL	FINISH, REMARKS		
UNITS mm		SCALE 10:1	COUNT 2	DESCRIPTION OF REVISIONS DIS-H-00021158	DESIGNED YK. SATAKE	CHECKED TY. 001	DATE 20240727
HRS HIROSE ELECTRIC CO., LTD.		APPROVED : WR. FUKUCHI 20200330	DRAWING NO. EDC-385555-51-00				
		CHECED : TS. MIYAZAKI 20200330	PART NO. DF40TC(3.5)-20DS-0.4V(51)				
		DESIGNED : YK. SATAKE 20200327	CODE NO. CL0684-4253-0-51				
		DRAWN : YK. SATAKE 20200327	1/2				

