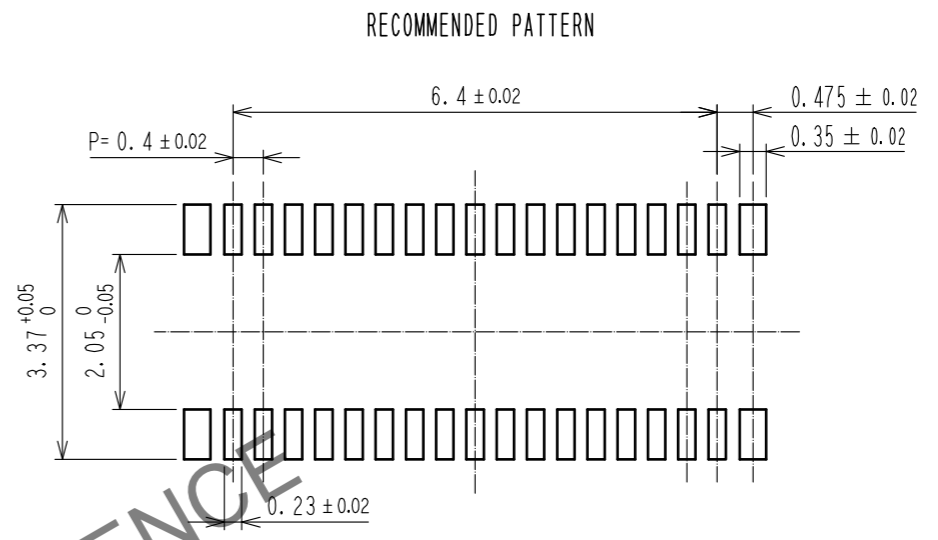
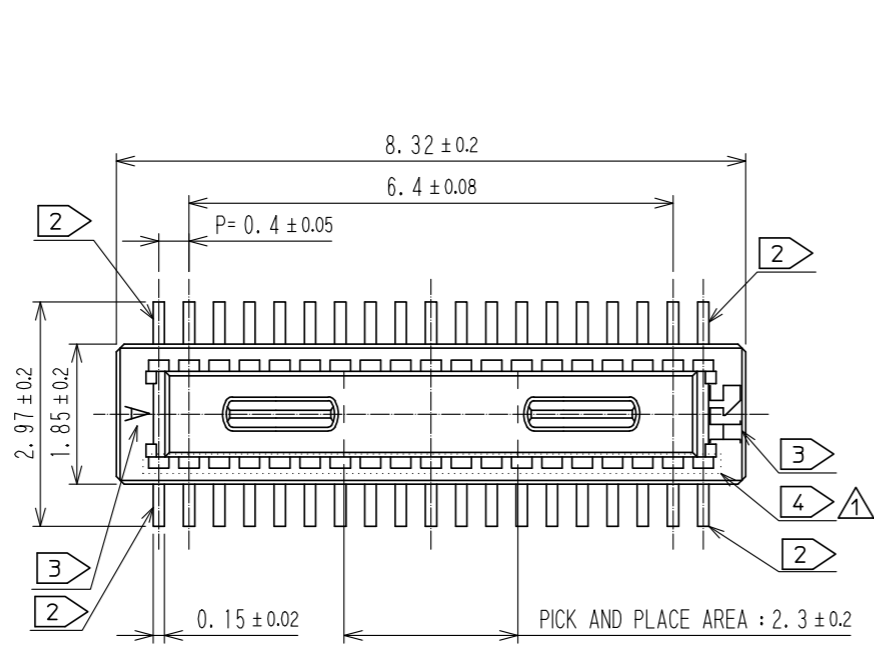
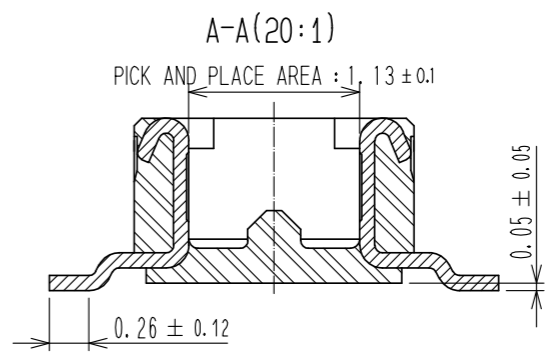
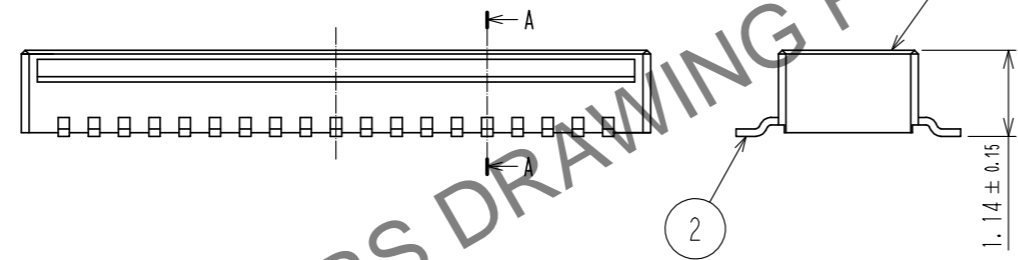


Oct.1.2024 Copyright 2024 HIROSE ELECTRIC CO., LTD. All Rights Reserved.
In case of consideration for using Automotive equipment / device which demand high reliability, kindly contact our sales window correspondents.



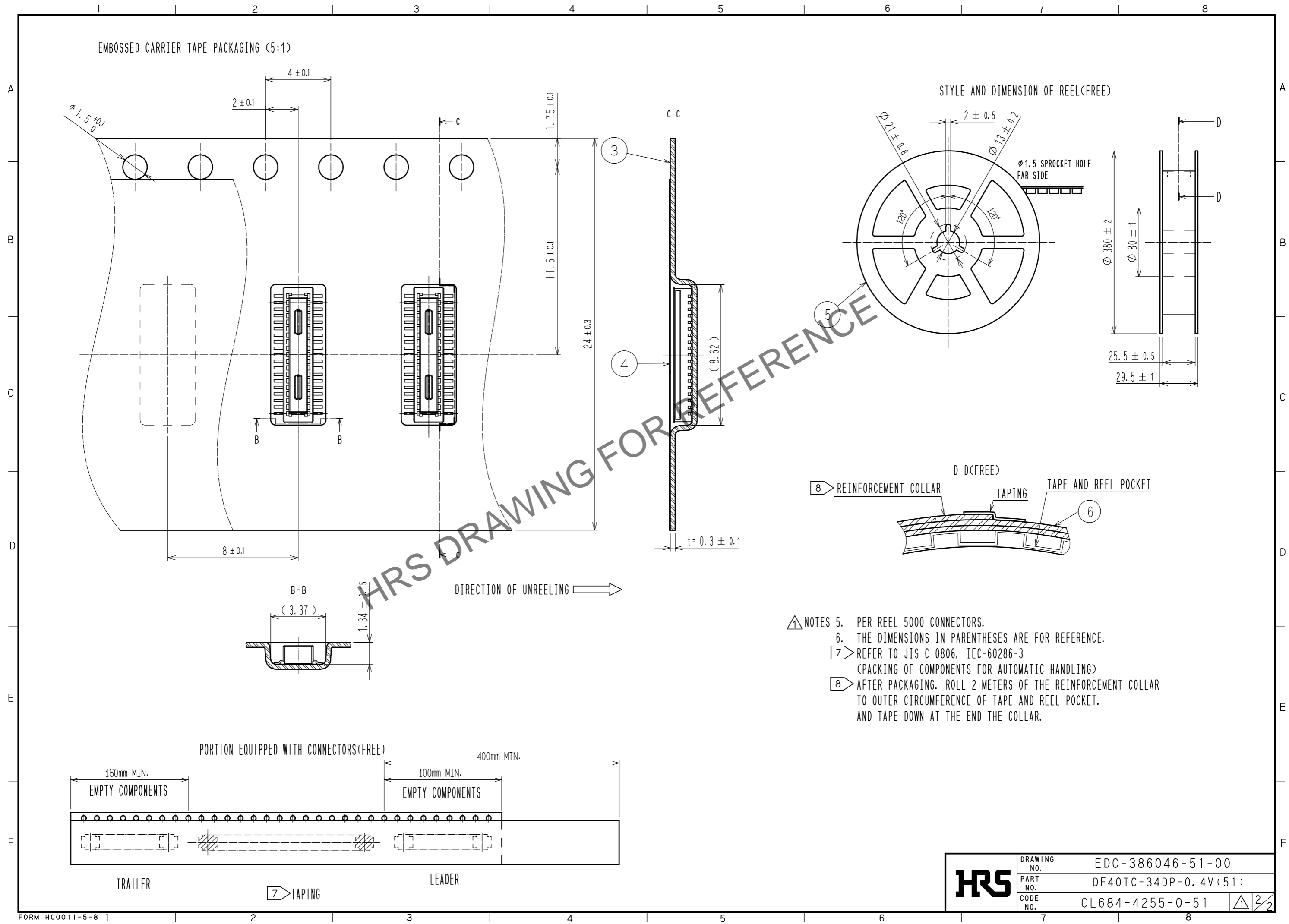
RECOMMENDED METAL MASK THICKNESS : 120 μm
RECOMMENDED METAL MASK OPENING RATIO : 80% FOR LEAD PAD



- NOTES
- 1. ALL LEADS CO-PLANARITY SHALL BE 0.1mm MAX.
 - 2. EACH ONE CONTACT AT 4 CORNERS SHALL BE METAL HOLD DOWN.
 - 3. HRS MARK AND CAV NO. ARE LOCATED IN APPROXIMAL AREA.
 - 4. THERE IS A POSSIBILITY THAT THE RESIN WILL NOT BE EXPOSED AT THIS AREA. BUT THIS WILL NOT AFFECT THE CONTACT RELIABILITY.

2	PHOSPHOR BRONZE	CONTACT AREA: GOLD 0.05 μm MIN	6	PS	CLEAR, REINFORCEMENT COLLAR
		SMT LEAD: GOLD 0.05 μm MIN	5	PS	BLACK, PLASTIC REEL
		UNDERPLATING: NICKEL 1 μm MIN	4	POLYESTER	CLEAR, COVER TAPE
1	LCP	BLACK, UL94V-0	3	PS	CLEAR, EMBOSSED CARRIER TAPE
NO.	MATERIAL	FINISH . REMARKS	NO.	MATERIAL	FINISH . REMARKS
UNITS mm		SCALE 10 : 1	COUNT 3	DESCRIPTION OF REVISIONS DIS-H-00005459	
APPROVED : WR. FUKUCHI 20190424			DESIGNED	YK. SATAKE	
CHECKED : TS. MIYAZAKI 20190424			CHECKED	TS. MIYAZAKI	
DESIGNED : SJ. WADA 20190423			DATE	20191106	
DRAWN : SJ. WADA 20190423			DRAWING NO. EDC-386046-51-00		
HRS HIROSE ELECTRIC CO., LTD.			PART NO. DF40TC-34DP-0.4V(51)		
			CODE NO. CL684-4255-0-51		

Oct.1.2024 Copyright 2024 HIROSE ELECTRIC CO., LTD. All Rights Reserved.
 In case of consideration for using Automotive equipment / device which demand high reliability, kindly contact our sales window correspondents.



- △ NOTES 5. PER REEL 5000 CONNECTORS.
 6. THE DIMENSIONS IN PARENTHESES ARE FOR REFERENCE.
 7. REFER TO JIS C 0806, IEC-60286-3 (PACKING OF COMPONENTS FOR AUTOMATIC HANDLING)
 8. AFTER PACKAGING. ROLL 2 METERS OF THE REINFORCEMENT COLLAR TO OUTER CIRCUMFERENCE OF TAPE AND REEL POCKET. AND TAPE DOWN AT THE END THE COLLAR.

HRS	DRAWING NO.	EDC-386046-51-00
	PART NO.	DF40TC-34DP-0.4V(51)
	CODE NO.	CL684-4255-0-51
		2/2