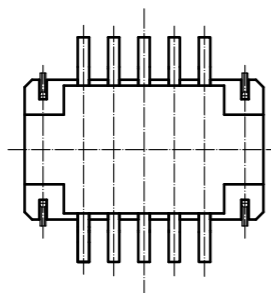
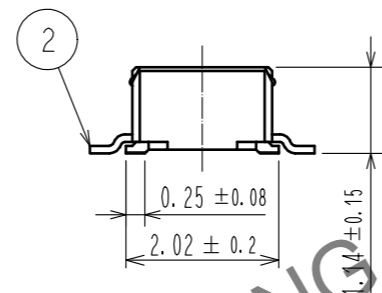
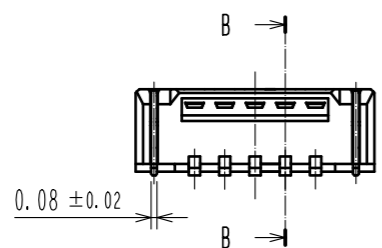
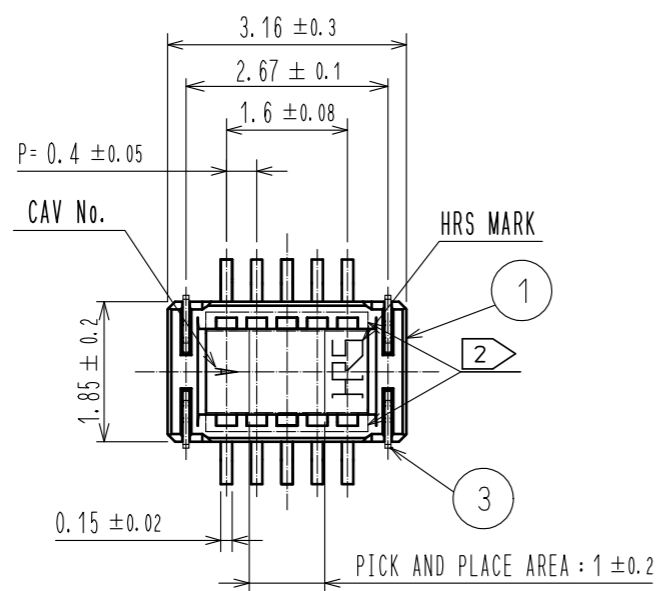
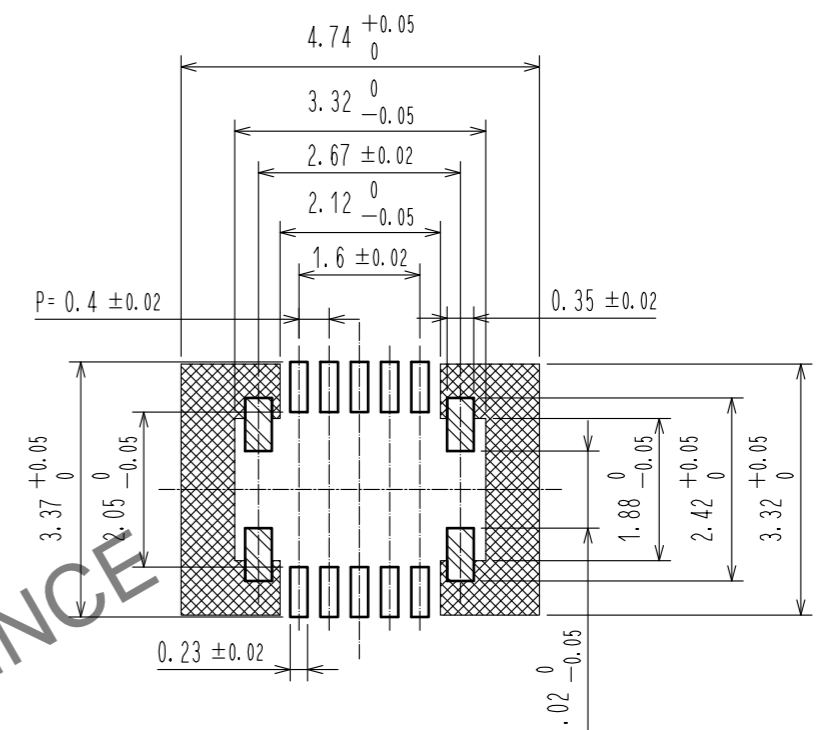


Oct.1.2024 Copyright 2024 HIROSE ELECTRIC CO., LTD. All Rights Reserved.  
In case of consideration for using Automotive equipment / device which demand high reliability, kindly contact our sales window correspondents.

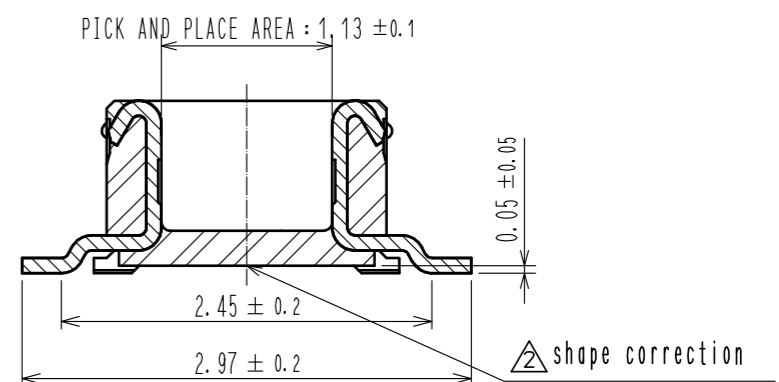


RECOMMENDED PATTERN



:SINGAL CONTACT  
  :GROUND PIN  
  :NON-CONDUCTIVE AREA  
 RECOMMENDED METAL MASK THICKNESS:120 μm  
 RECOMMENDED MASK OPENING RATIO:80% FOR LEAD PAD

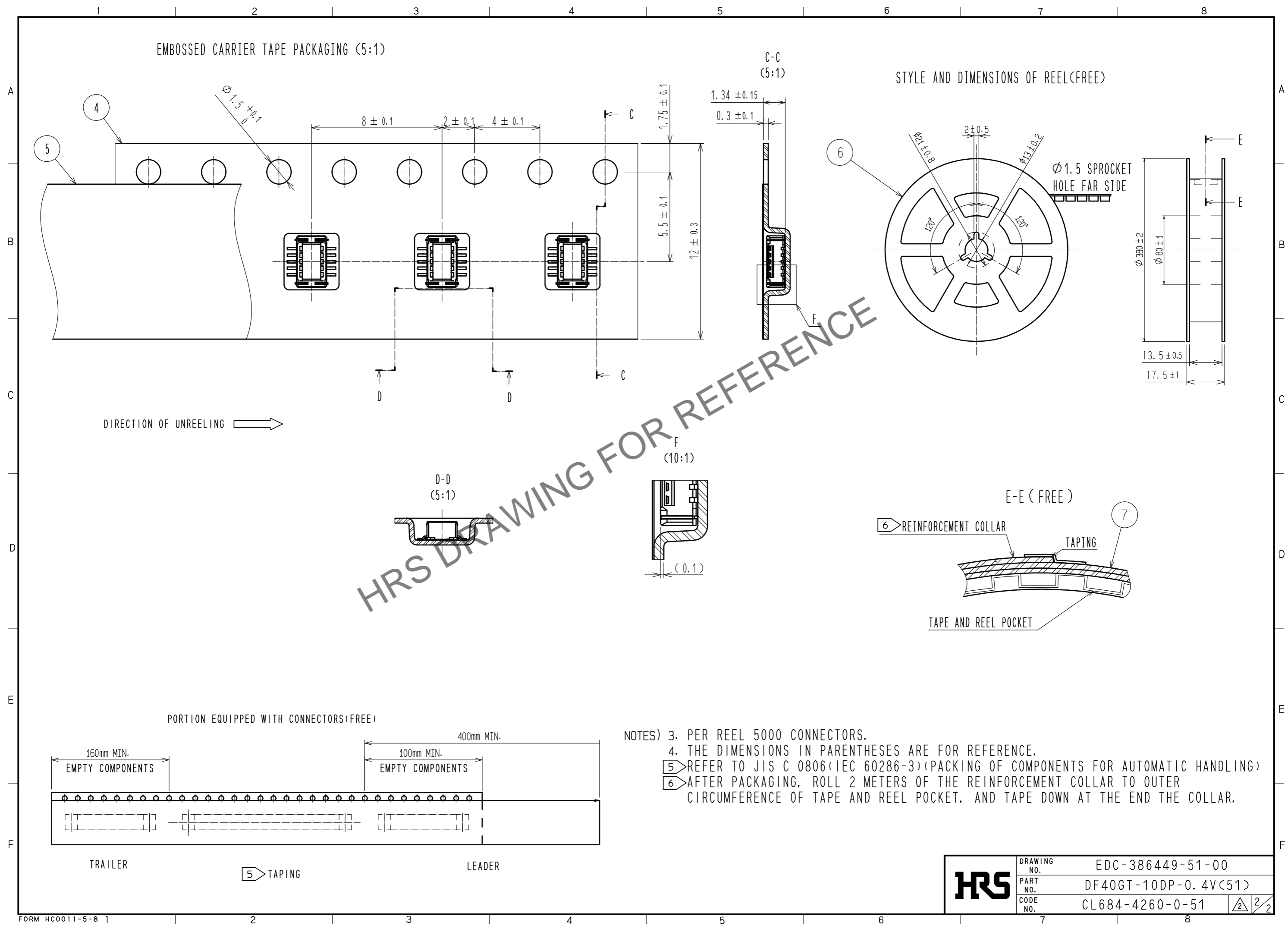
B-B  
(20:1)



NOTES) 1. ALL LEADS METAL FITTINGS CO-PLANARITY SHALL BE 0.1mm MAX.  
 2. THERE IS A POSSIBILITY THAT THE RESIN WILL BE EXPOSED AT THIS AREA, BUT THIS WILL NOT AFFECT THE CONTACT RELIABILITY.

2	PHOSPHOR BRONZE	CONTACT AREA: Au 0.05 μm MIN SMT LEAD: Au 0.05 μm MIN UNDERPLATING: NICKEL 1 μm MIN	7	PS	CLEAR, REINFORCEMENT COLLAR
1	LCP	BLACK, UL94V-0	6	PS	BLACK, PLASTIC REEL
			5	POLYESTER	CLEAR, COVER TAPE
			4	PS	CLEAR, EMBOSSED CARRIER TAPE
			3	PHOSPHOR BRONZE	CONTACT AREA: Au 0.05 μm MIN SMT LEAD: Au 0.05 μm MIN UNDERPLATING: NICKEL 1 μm MIN
NO.	MATERIAL	FINISH . REMARKS	NO.	MATERIAL	FINISH . REMARKS
UNITS mm		SCALE 10 : 1	COUNT 1	DESCRIPTION OF REVISIONS DIS-H-00006416	
				DESIGNED PAN YIWEI	CHECKED TS. MIYAZAKI
				DATE 20201007	
<b>HRS</b> HIROSE ELECTRIC CO., LTD.		APPROVED : WR. FUKUCHI 20181226	DRAWING NO. EDC-386449-51-00		
		CHECED : TS. MIYAZAKI 20181226	PART NO. DF40GT-10DP-0.4V(51)		
		DESIGNED : SJ. WADA 20181225	CODE NO. CL684-4260-0-51		
		DRAWN : RH. KAGAMI 20181225	1/2		

Oct.1.2024 Copyright 2024 HIROSE ELECTRIC CO., LTD. All Rights Reserved.  
 In case of consideration for using Automotive equipment / device which demand high reliability, kindly contact our sales window correspondents.



DIRECTION OF UNREELING →

STYLE AND DIMENSIONS OF REEL(FREE)

PORTION EQUIPPED WITH CONNECTORS(FREE)

- NOTES) 3. PER REEL 5000 CONNECTORS.  
 4. THE DIMENSIONS IN PARENTHESES ARE FOR REFERENCE.  
 5 REFER TO JIS C 0806(IEC 60286-3)(PACKING OF COMPONENTS FOR AUTOMATIC HANDLING)  
 6 AFTER PACKAGING, ROLL 2 METERS OF THE REINFORCEMENT COLLAR TO OUTER CIRCUMFERENCE OF TAPE AND REEL POCKET, AND TAPE DOWN AT THE END THE COLLAR.

<b>HRS</b>	DRAWING NO.	EDC-386449-51-00	
	PART NO.	DF40GT-10DP-0.4V(51)	
	CODE NO.	CL684-4260-0-51	2/2