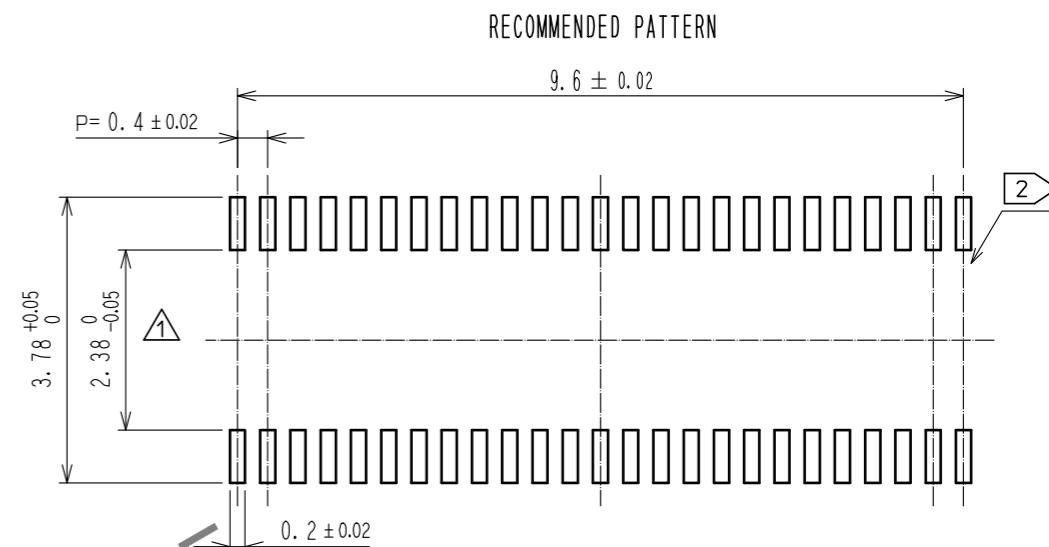
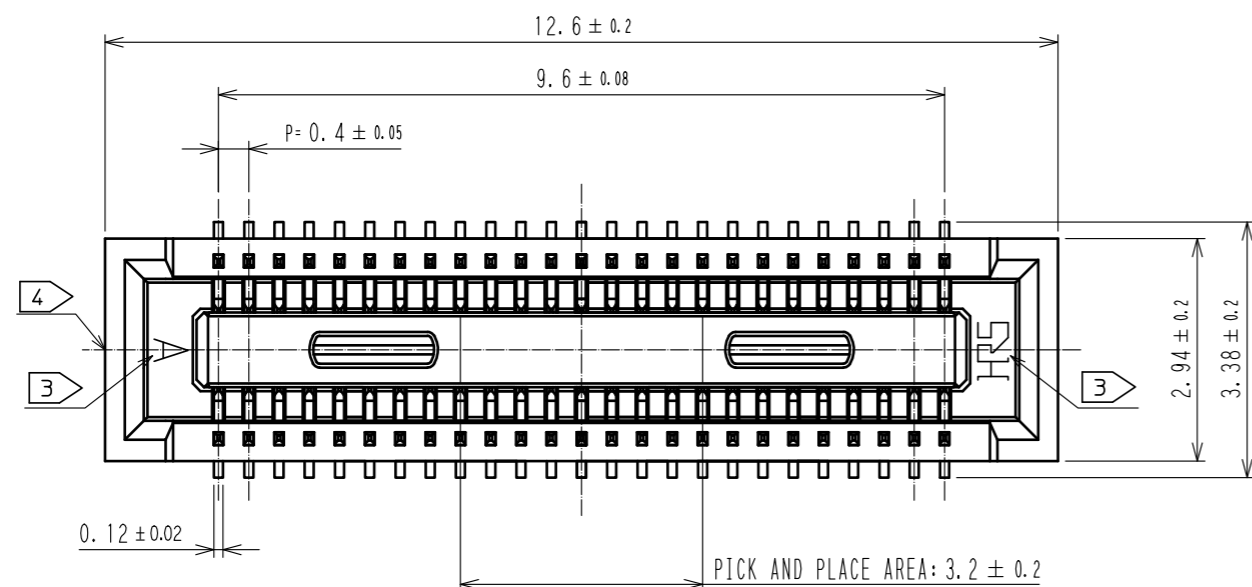
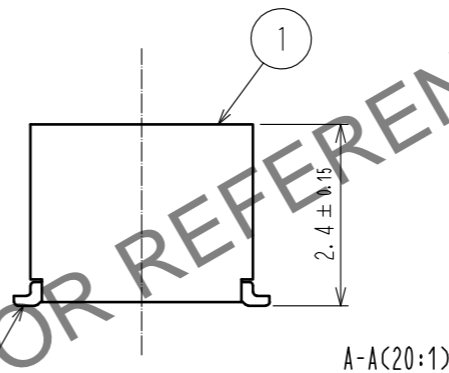
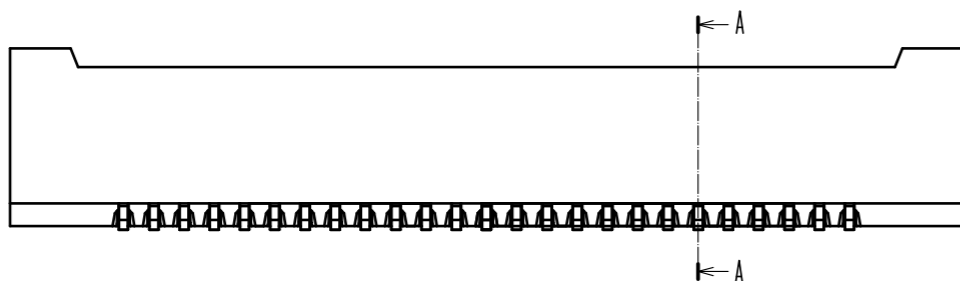


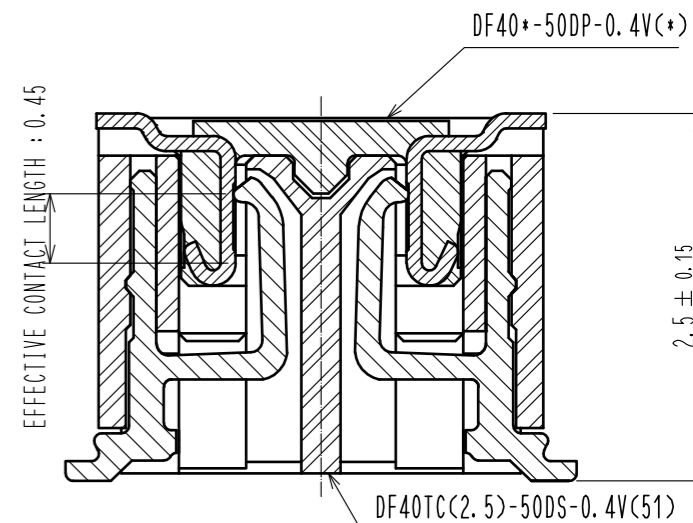
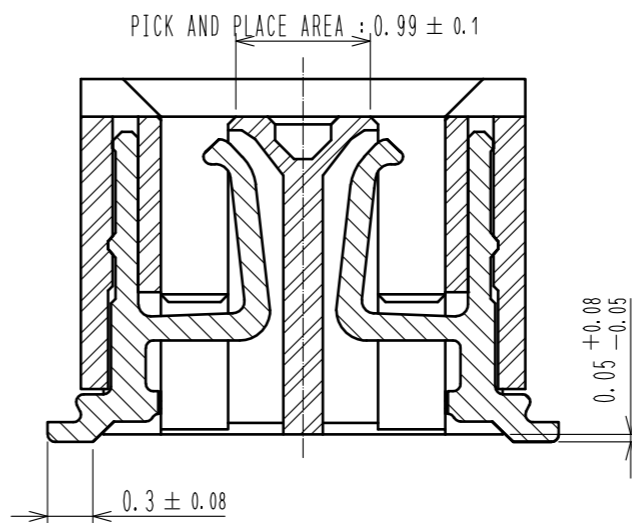
Sep.1.2024 Copyright 2024 HIROSE ELECTRIC CO., LTD. All Rights Reserved.  
In case of consideration for using Automotive equipment / device which demand high reliability, kindly contact our sales window correspondents.



RECOMMENDED METAL MASK THICKNESS : 120 μm  
RECOMMENDED METAL MASK OPENING RATIO : 80% FOR LEAD PAD



ENGAGEMENT FIGURE (20:1)



NOTE 1. ALL LEADS CO-PLANARITY SHALL BE 0.1 MAX.

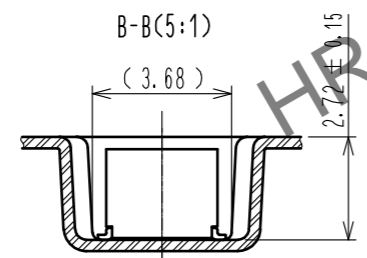
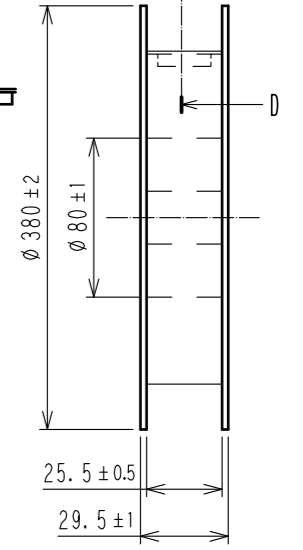
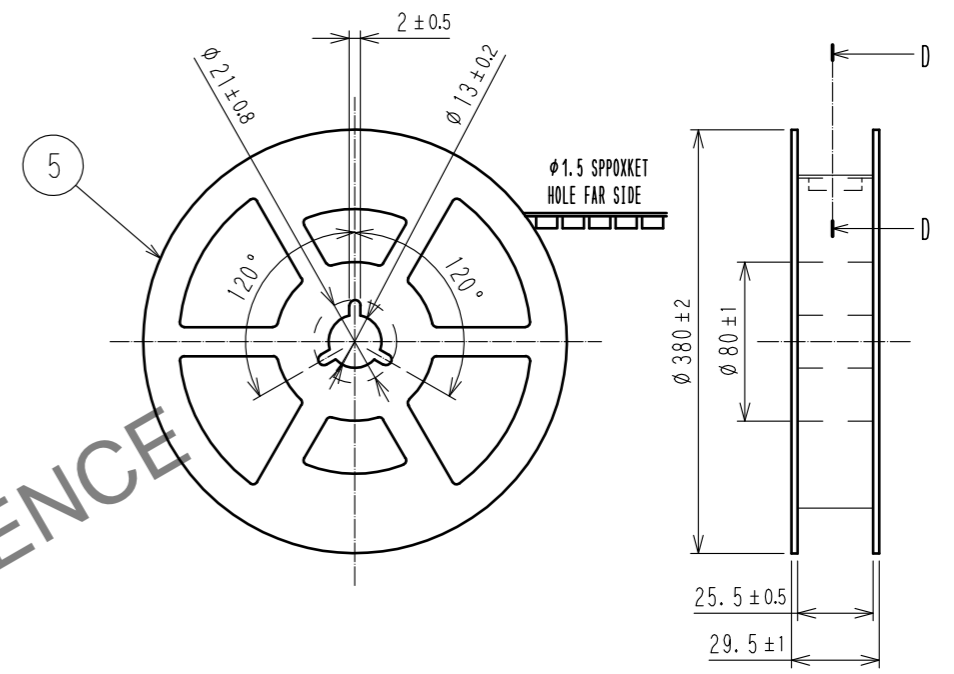
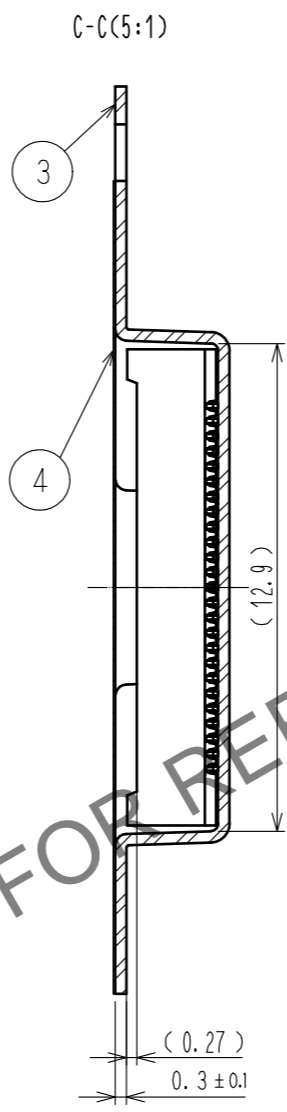
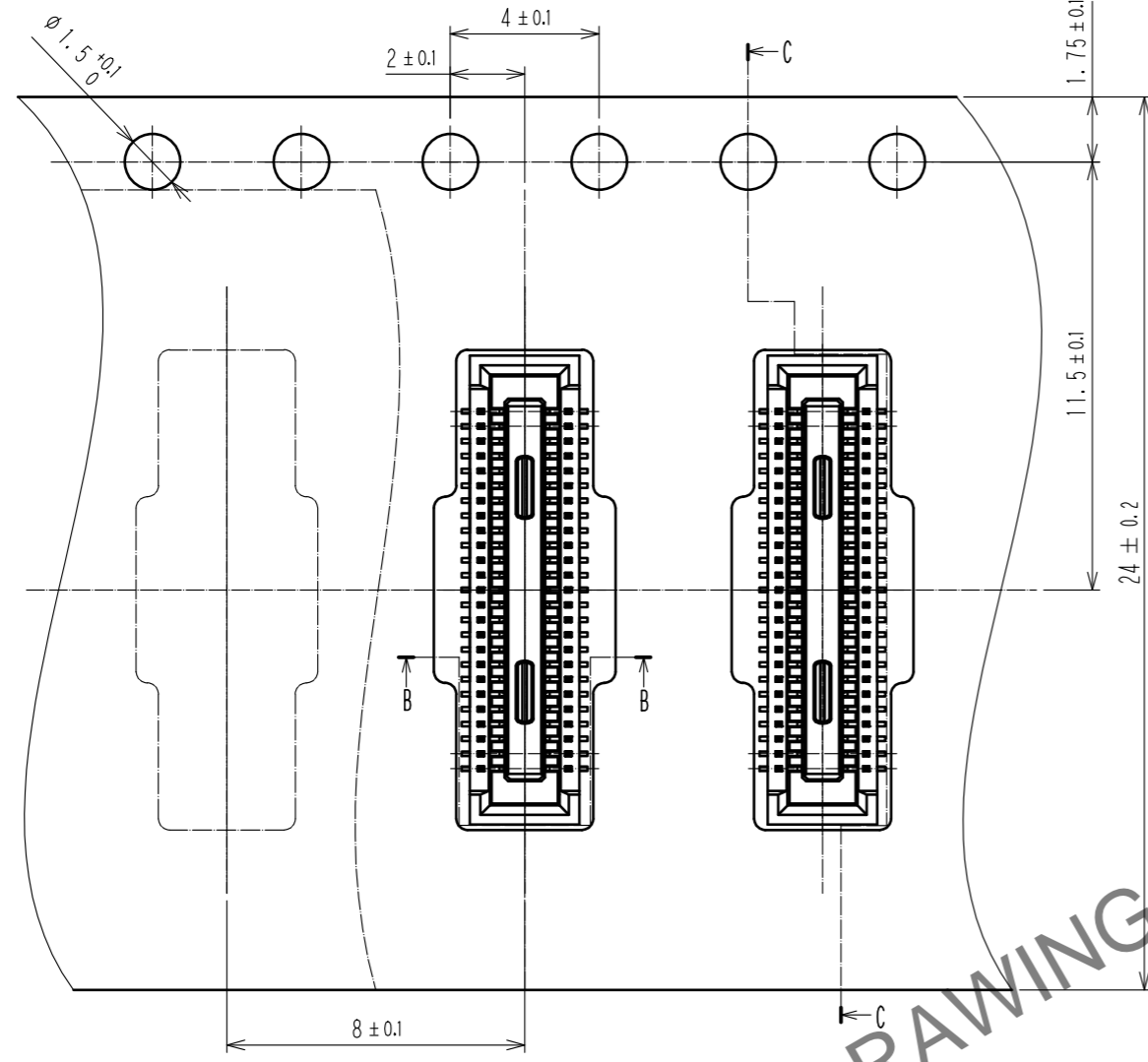
- ① HRS MARK AND CAV NO. IS INDICATED IN APPROXI POSITION SHOWN.
- ③ GATE POSITION IS POSITIONED IN APPROXIMAL AREA SHOWN.

2	COPPER ALLOY	CONTACT AREA: GOLD 0.05 μm MIN	5	PS	BLACK		
		SMT LEAD: GOLD 0.05 μm MIN	4	POLYESTER	CLEAR, COVER TAPE		
		UNDERPLATING: NICKEL 1 μm MIN	3	PS	CLEAR, EMBOSSED CARRIER TAPE		
1	LCP	BLACK, UL94V-0					
NO.	MATERIAL	FINISH . REMARKS	NO.	MATERIAL	FINISH . REMARKS		
UNITS mm		SCALE 10 : 1	COUNT 2	DESCRIPTION OF REVISIONS DIS-H-00014229	DESIGNED YK. SATAKE	CHECKED RT. SHIMIZU	DATE 20220623
<b>HRS</b> HIROSE ELECTRIC CO., LTD.		APPROVED : WR. FUKUCHI 20200115	DRAWING NO. EDC-389547-51-00				
		CHECKED : TS. MIYAZAKI 20200115	PART NO. DF40TC(2.5)-50DS-0.4V(51)				
		DESIGNED : YK. SATAKE 20200115	CODE NO. CL0684-4279-0-51				
		DRAWN : YK. SATAKE 20200115					

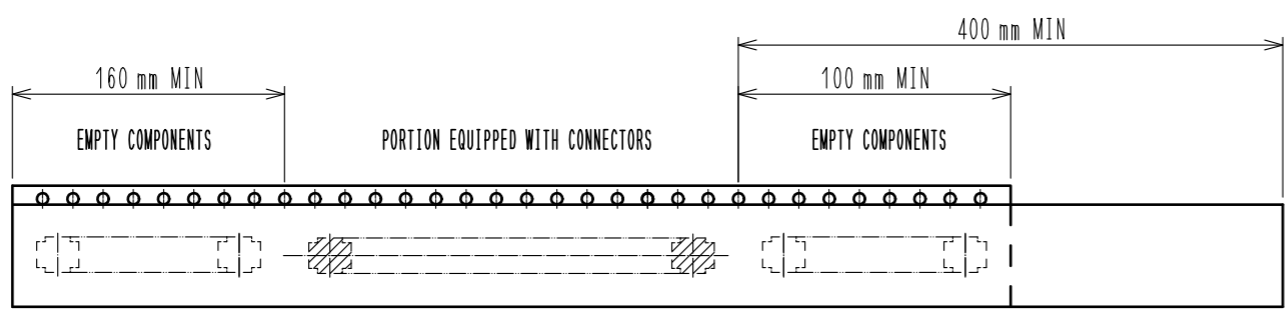
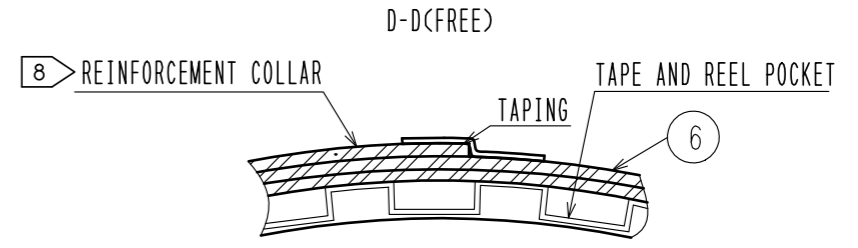
Sep.1.2024 Copyright 2024 HIROSE ELECTRIC CO., LTD. All Rights Reserved.  
 In case of consideration for using Automotive equipment / device which demand high reliability, kindly contact our sales window correspondents.

EMBOSSED CARRIER TAPE PACKAGING (5:1)

STYLE AND DIMENSION OF REEL (FREE)



DIRECTION OF UNREELING  $\rightarrow$



- NOTES )
- 5. PER REEL 3000 CONNECTORS.
  - 6. THE DIMENSIONS IN PARENTHESES ARE FOR REFERENCE.
  - 7. REFER TO JIS C 0806(PACKING OF COMPONENTS FOR AUTOMATIC HANDLING)
  - 8. AFTER PACKAGING, ROLL 2 METERS OF THE REINFORCEMENT COLLAR TO OUTER CIRCUMFERENCE OF TAPE AND REEL POCKET, AND TAPE DOWN AT THE END THE COLLAR.

<b>HRS</b>	DRAWING NO.	EDC-389547-51-00
	PART NO.	DF40TC(2.5)-50DS-0.4V(51)
	CODE NO.	CL0684-4279-0-51
		$\triangle$ 2/2