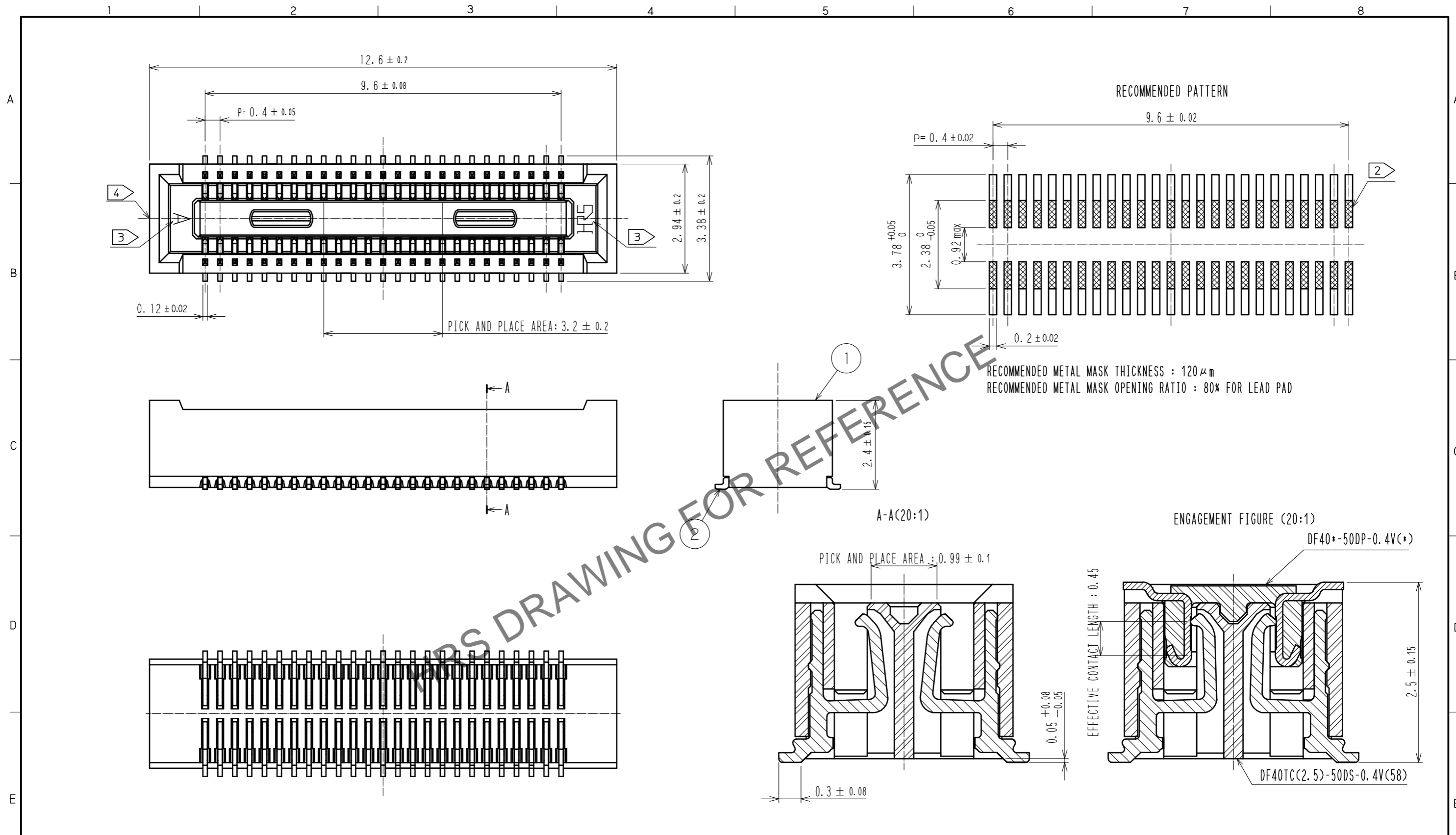


Oct.1.2024 Copyright 2024 HIROSE ELECTRIC CO., LTD. All Rights Reserved.  
In case of consideration for using Automotive equipment / device which demand high reliability, kindly contact our sales window correspondents.



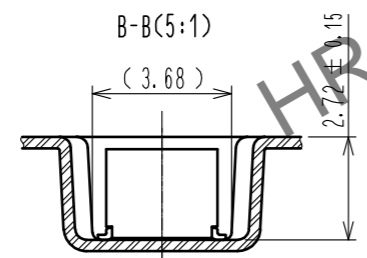
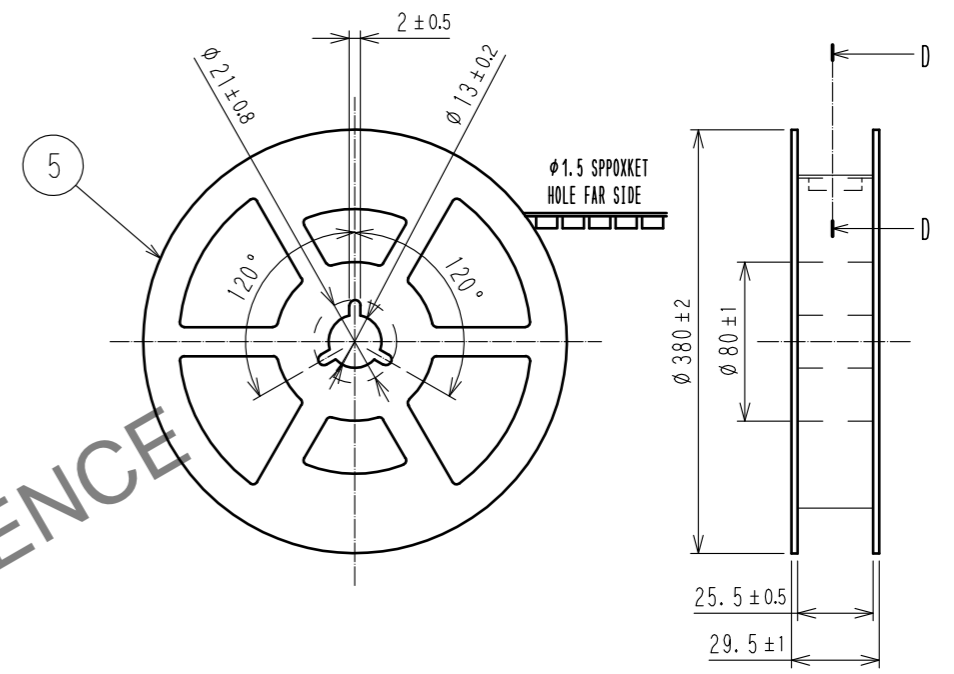
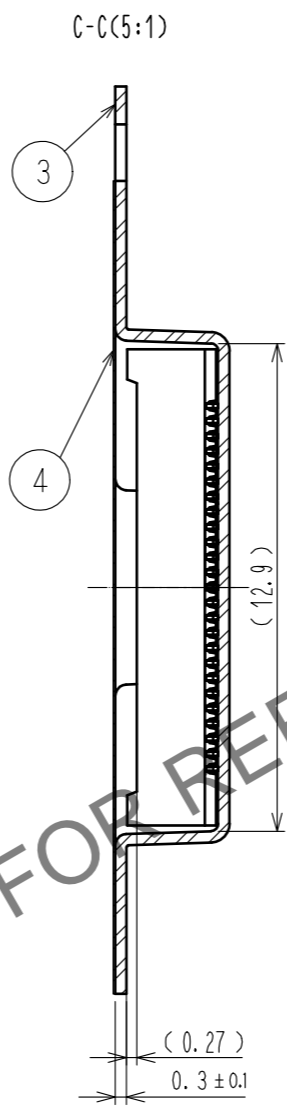
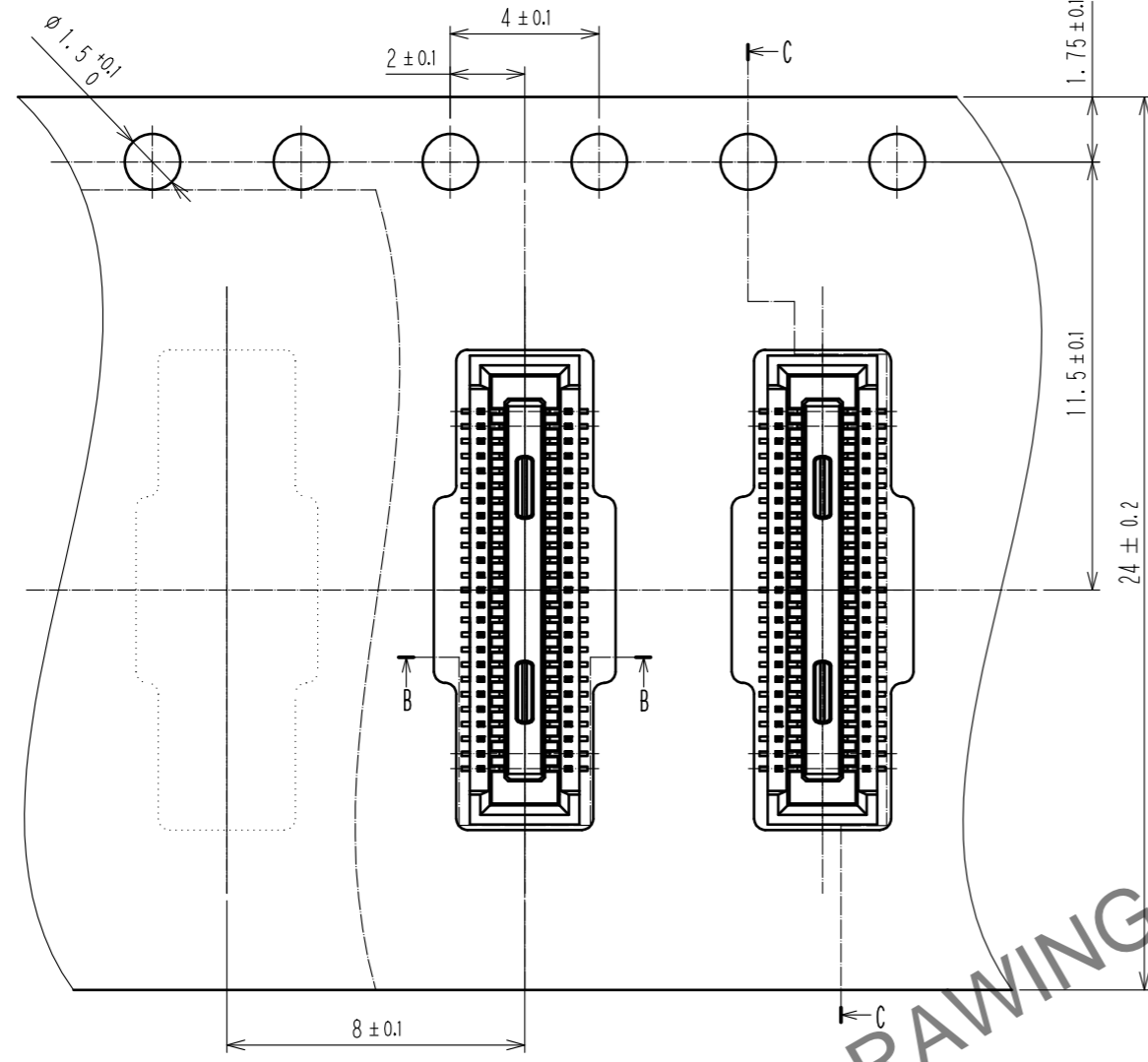
NOTE 1. ALL LEADS CO-PLANARITY SHALL BE 0.1 MAX.  
 2 IS NO PATTERN AREA OTHER THAN THE SAME CIRCUIT.  
 3 HRS MARK AND CAV NO. IS INDICATED IN APPROXI POSITION SHOWN.  
 4 GATE POSITION IS POSITIONED IN APPROXIMAL AREA SHOWN.

| 2                                    | COPPER ALLOY | CONTACT AREA: GOLD $0.05 \mu\text{m}$ MIN | 5         | PS                                 | BLACK                        |          |         |      |
|--------------------------------------|--------------|---|-----------|------------------------------------|------------------------------|----------|---------|------|
|                                      |              | SMT LEAD: GOLD $0.05 \mu\text{m}$ MIN     |           |                                    |                              |          |         |      |
|                                      |              | UNDERPLATING: NICKEL $1 \mu\text{m}$ MIN  |           |                                    |                              |          |         |      |
| 1                                    | LCP          | BLACK, UL94V-0                            | 3         | PS                                 | CLEAR, EMBOSSED CARRIER TAPE |          |         |      |
| NO.                                  | MATERIAL     | FINISH . REMARKS                          | NO.       | MATERIAL                           | FINISH . REMARKS             |          |         |      |
| UNITS<br>mm                          |              | SCALE<br>10 : 1                           | COUNT<br> | DESCRIPTION OF REVISIONS           |                              | DESIGNED | CHECKED | DATE |
| <b>HRS</b> HIROSE ELECTRIC CO., LTD. |              | APPROVED : WR. FUKUCHI                    | 20210402  | DRAWING NO. EDC-389547-58-00       |                              |          |         |      |
|                                      |              | CHECKED : TS. MIYAZAKI                    | 20210402  | PART NO. DF40TC(2.5)-50DS-0.4V(58) |                              |          |         |      |
|                                      |              | DESIGNED : YK. SATAKE                     | 20210402  | CODE NO. CL0684-4279-0-58          |                              |          |         |      |
|                                      |              | DRAWN : YK. SATAKE                        | 20210402  |                                    |                              |          |         |      |

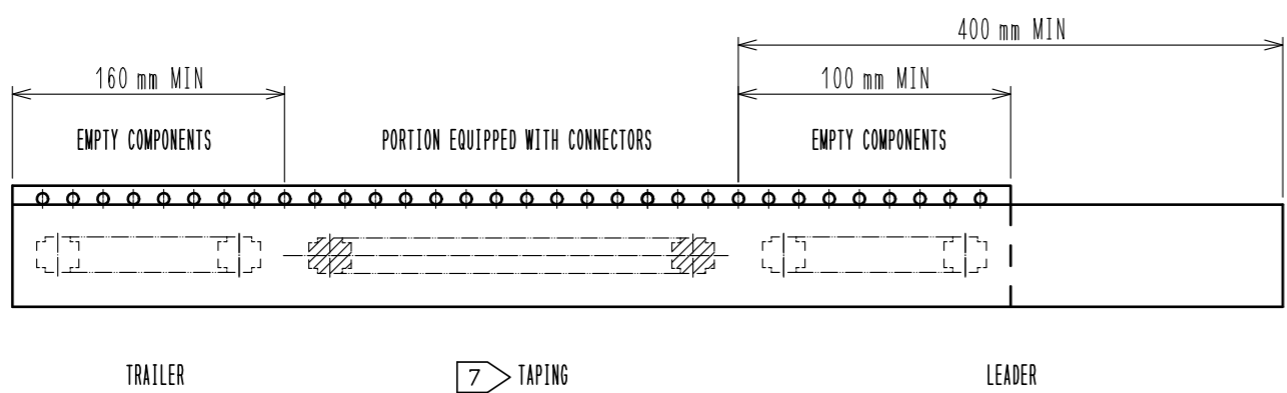
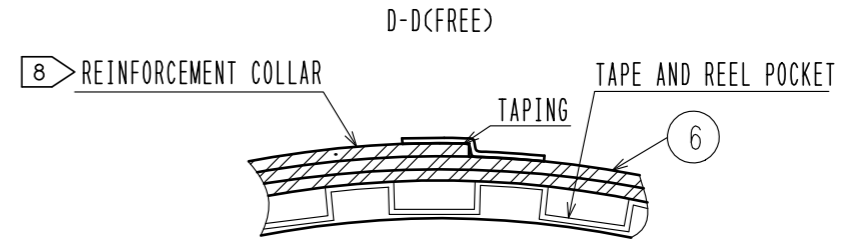
Oct.1.2024 Copyright 2024 HIROSE ELECTRIC CO., LTD. All Rights Reserved.  
 In case of consideration for using Automotive equipment / device which demand high reliability, kindly contact our sales window correspondents.

EMBOSSED CARRIER TAPE PAACKAGING (5:1)

STYLE AND DIMENSION OF REEL (FREE)



DIRECTION OF UNREELING  $\rightarrow$



- NOTES )
- 5. PER REEL 1000 CONNECTORS.
  - 6. THE DIMENSIONS IN PARENTHESES ARE FOR REFERENCE.
  - 7. REFER TO JIS C 0806(PACKING OF COMPONENTS FOR AUTOMATIC HANDLING)
  - 8. AFTER PACKAGING, ROLL 2 METERS OF THE REINFORCEMENT COLLAR TO OUTER CIRCUMFERENCE OF TAPE AND REEL POCKET, AND TAPE DOWN AT THE END THE COLLAR.

|            |             |                           |
|------------|-------------|---------------------------|
| <b>HRS</b> | DRAWING NO. | EDC-389547-58-00          |
|            | PART NO.    | DF40TC(2.5)-50DS-0.4V(58) |
|            | CODE NO.    | CL0684-4279-0-58          |
|            |             | $\triangle$ 2/2           |