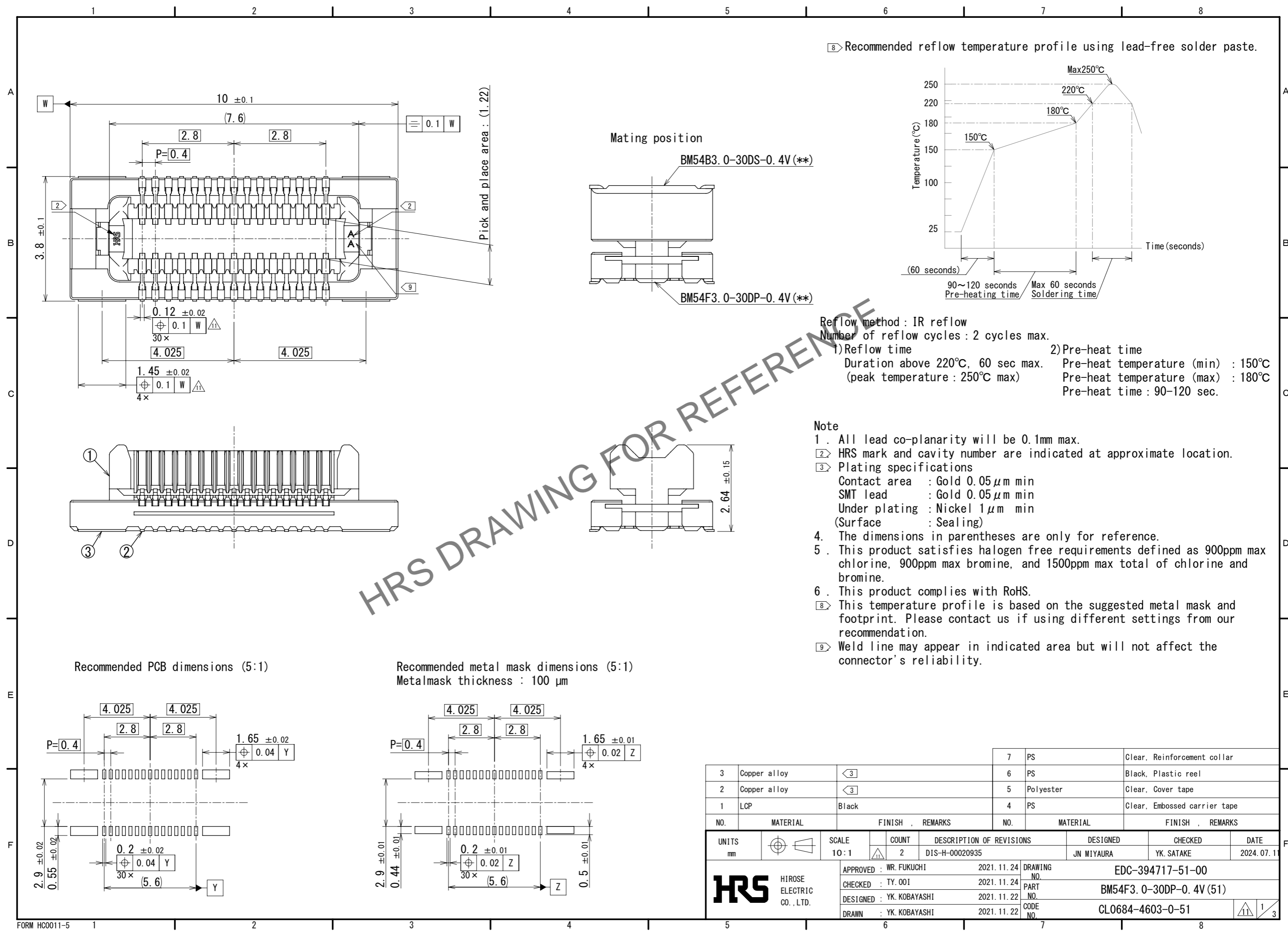
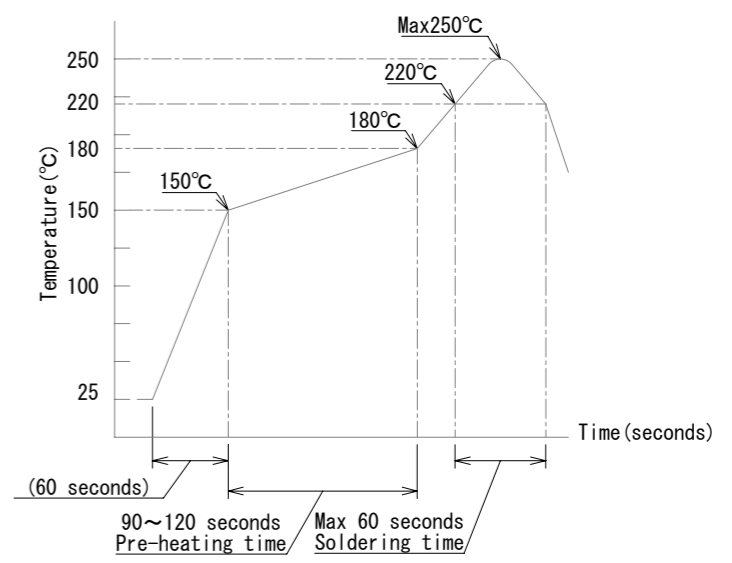


Sep.1.2024 Copyright 2024 HIROSE ELECTRIC CO., LTD. All Rights Reserved.  
 In case of consideration for using Automotive equipment / device which demand high reliability, kindly contact our sales window correspondents.



8 Recommended reflow temperature profile using lead-free solder paste.



Reflow method: IR reflow  
 Number of reflow cycles: 2 cycles max.  
 1) Reflow time  
 Duration above 220°C, 60 sec max.  
 (peak temperature: 250°C max)  
 2) Pre-heat time  
 Pre-heat temperature (min): 150°C  
 Pre-heat temperature (max): 180°C  
 Pre-heat time: 90-120 sec.

- Note**
- All lead co-planarity will be 0.1mm max.
  - HRS mark and cavity number are indicated at approximate location.
  - Plating specifications  
 Contact area : Gold 0.05  $\mu$ m min  
 SMT lead : Gold 0.05  $\mu$ m min  
 Under plating : Nickel 1  $\mu$ m min  
 (Surface : Sealing)
  - The dimensions in parentheses are only for reference.
  - This product satisfies halogen free requirements defined as 900ppm max chlorine, 900ppm max bromine, and 1500ppm max total of chlorine and bromine.
  - This product complies with RoHS.
  - This temperature profile is based on the suggested metal mask and footprint. Please contact us if using different settings from our recommendation.
  - Weld line may appear in indicated area but will not affect the connector's reliability.

NO.	MATERIAL	FINISH	REMARKS	NO.	MATERIAL	FINISH	REMARKS
3	Copper alloy	$\triangleleft$ 3		7	PS		Clear, Reinforcement collar
2	Copper alloy	$\triangleleft$ 3		6	PS		Black, Plastic reel
1	LCP	Black		5	Polyester		Clear, Cover tape
				4	PS		Clear, Embossed carrier tape

UNITS	SCALE	COUNT	DESCRIPTION OF REVISIONS	DESIGNED	CHECKED	DATE
mm	10:1	2	DIS-H-00020935	JN MIYaura	YK. SATAKE	2024. 07. 11

APPROVED	CHECKED	DESIGNED	DRAWN	DATE	DRAWING NO.	PART NO.	CODE NO.
WR. FUKUCHI	TY. OOI	YK. KOBAYASHI	YK. KOBAYASHI	2021. 11. 24	EDC-394717-51-00	BM54F3. 0-30DP-0.4V (51)	CL0684-4603-0-51

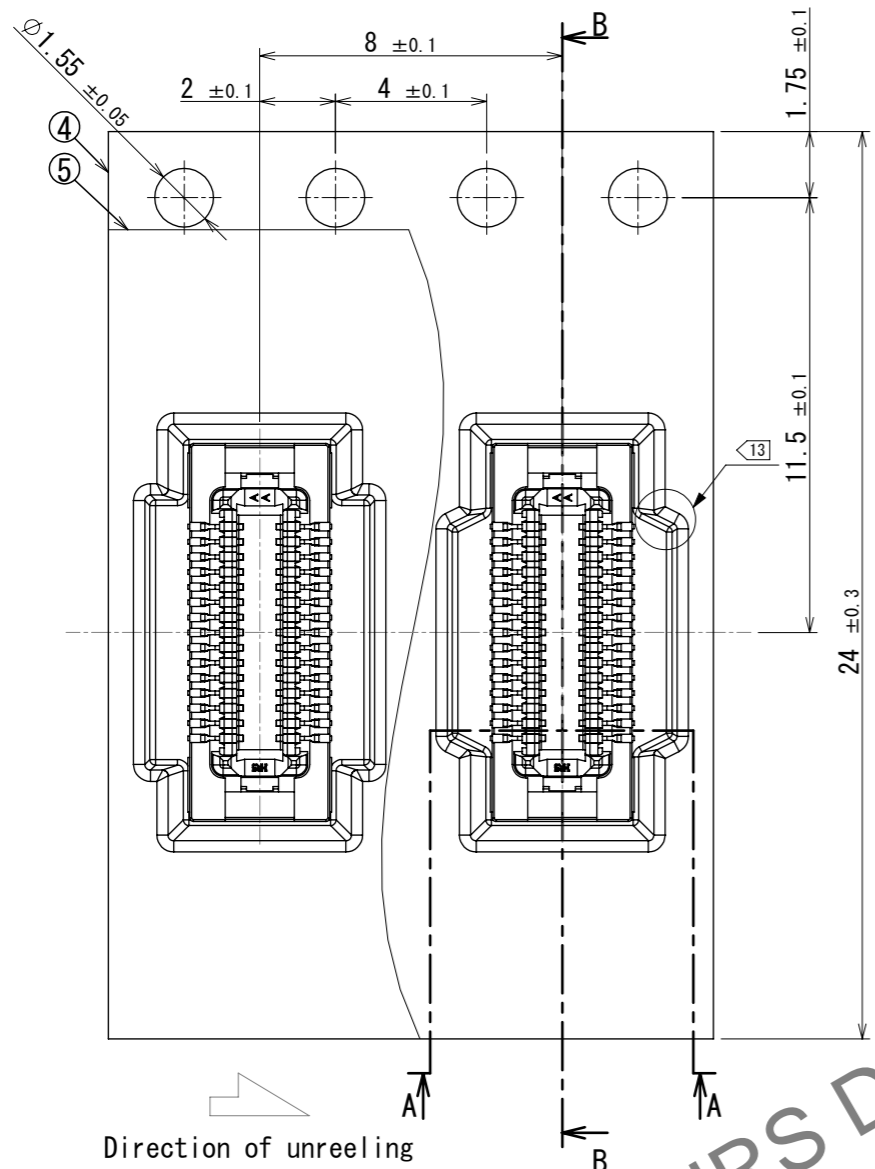


HIROSE ELECTRIC CO., LTD.

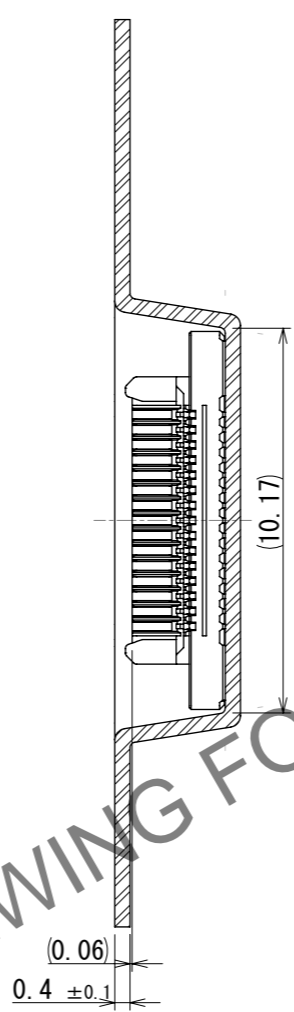
Sep.1.2024 Copyright 2024 HIROSE ELECTRIC CO., LTD. All Rights Reserved.  
In case of consideration for using Automotive equipment / device which demand high reliability, kindly contact our sales window correspondents.

1 2 3 4 5 6 7 8

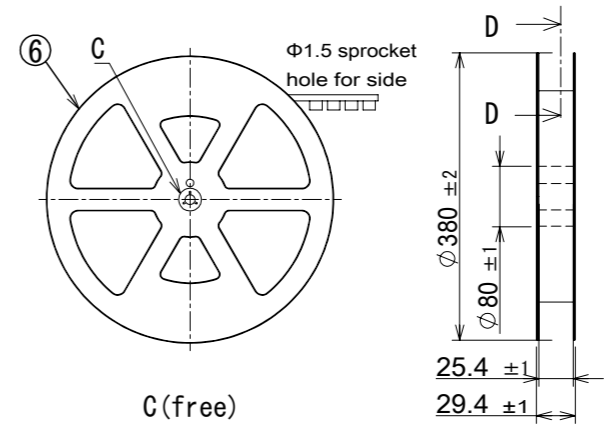
Embossed carrier tape packaging (5:1)



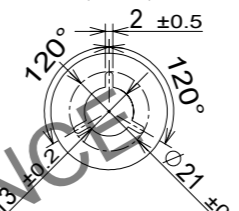
B-B  
(5 : 1)



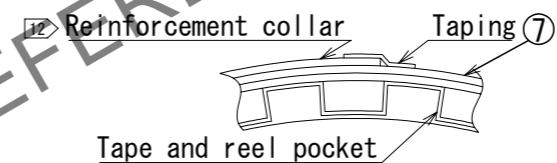
Style and dimension of reel (free)



C (free)

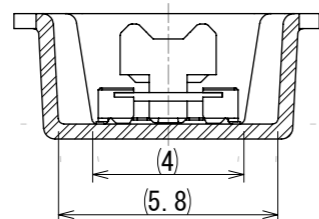


D-D (free)

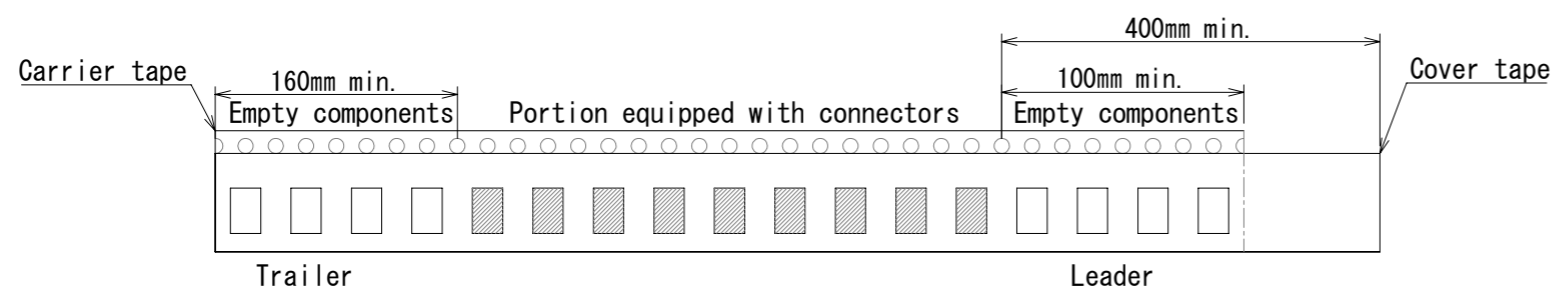


- 9 . 3,000 connectors per reel.
- ⑪. Refer to IEC 60286-3 (packaging of components for automatic handling)
- ⑫. The reinforcing collar is wrapped around the emboss tape and taped down at the end of the collar.
- ⑬. Some of the pockets may have a different shape.

A-A  
(5 : 1)



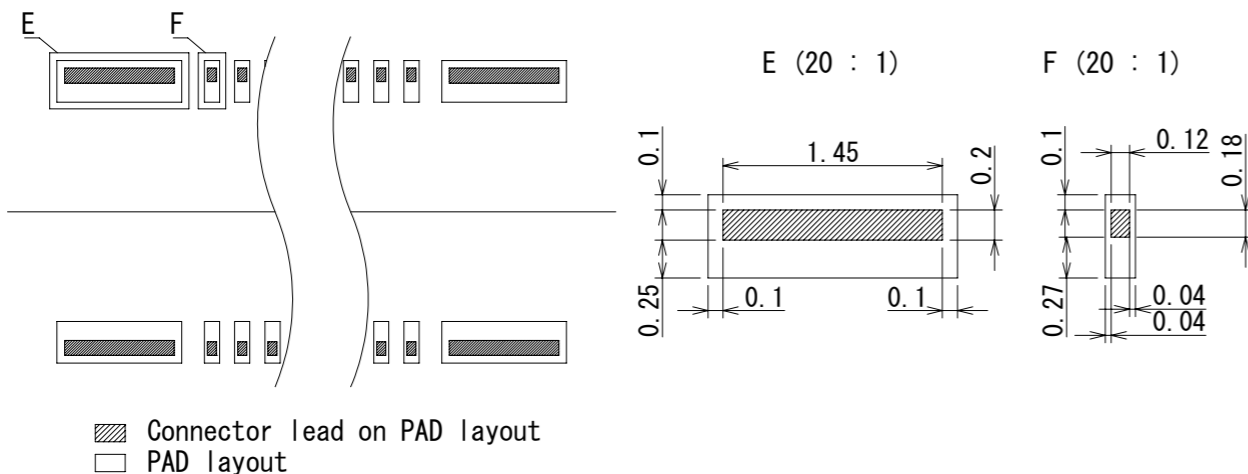
⑫ Taping (free)



<b>HRS</b>	DRAWING NO.	EDC-394717-51-00	2/3
	PART NO.	BM54F3. 0-30DP-0. 4V (51)	
	CODE NO.	CL0684-4603-0-51	

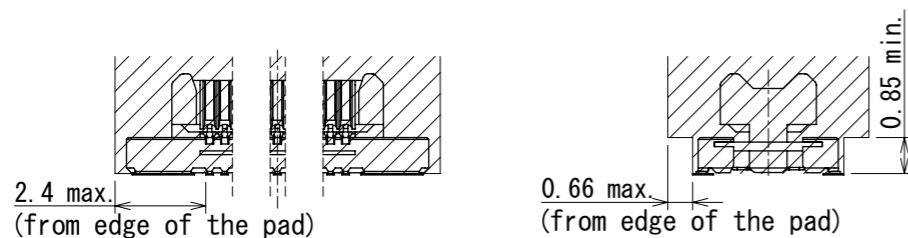
Sep.1.2024 Copyright 2024 HIROSE ELECTRIC CO., LTD. All Rights Reserved.  
In case of consideration for using Automotive equipment / device which demand high reliability, kindly contact our sales window correspondents.

14. Please refer to the product guideline for detail of connector handling.  
The position between the connector and PAD



### Connector area

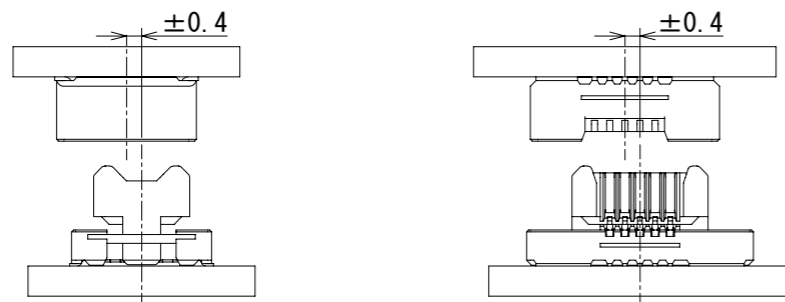
(1) is connector area or floating area, if other parts enter this area, it is possible to affect floating performance.



Connector area  
 PAD

### Mating method

(1) The alignment dimension is  $\pm 0.4$  mm in the X and Y directions.  
After the start of mating, follow the alignment and mate perpendicularly to the board without applying an overloading to the connector

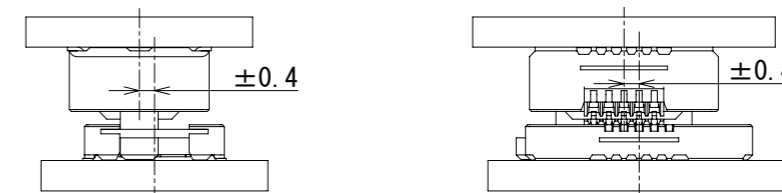


### Misalignment Allowance in Mated Condition (Floating Range)

(1) Because of floating design, this connector has a  $\pm 0.4$  mm board misalignment tolerance in the X and Y directions when mated. However, it is not suitable for absorption when the range of misalignment constantly changes due to vibration, etc. The number of repetitions of floating movable operations is stipulated to be no more than 10 times

### Securing PCBs

(1) This connector can absorb misalignment between PCBs, but not vibration. If you support PCBs only with the connectors without taking any fixing measures, the load on the connectors will be excessive and may cause broken or contact failure. Be sure to secure PCBs except for the connectors as shown below to prevent the board from moving. This connector connects the board to the board. When using mounting to FPC, fasten the board and FPC to the case separately



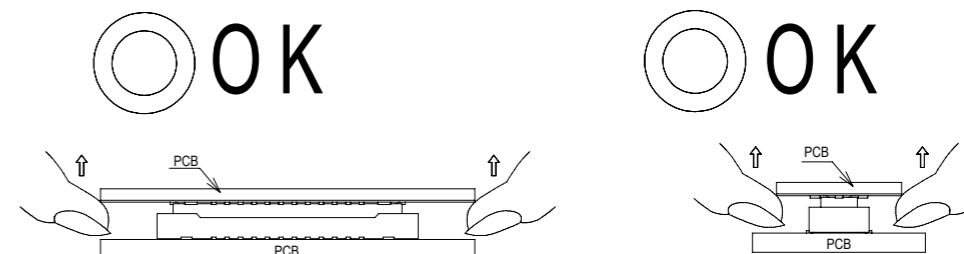
Fixing PCBs with a spacer or case

**X NG**

Do not use the product without fixing PCBs together.

### Un-mating method

(1) Un-mate the connectors parallel to each other.



(2) When un-mating the connector, pull it out in parallel.  
If it is un-mated in an inclined position, connector may deform.

**X NG**

**X NG**

<b>HRS</b>	DRAWING NO.	EDC-394717-51-00	3/3
	PART NO.	BM54F3. 0-30DP-0. 4V (51)	
	CODE NO.	CL0684-4603-0-51	
	NO.		