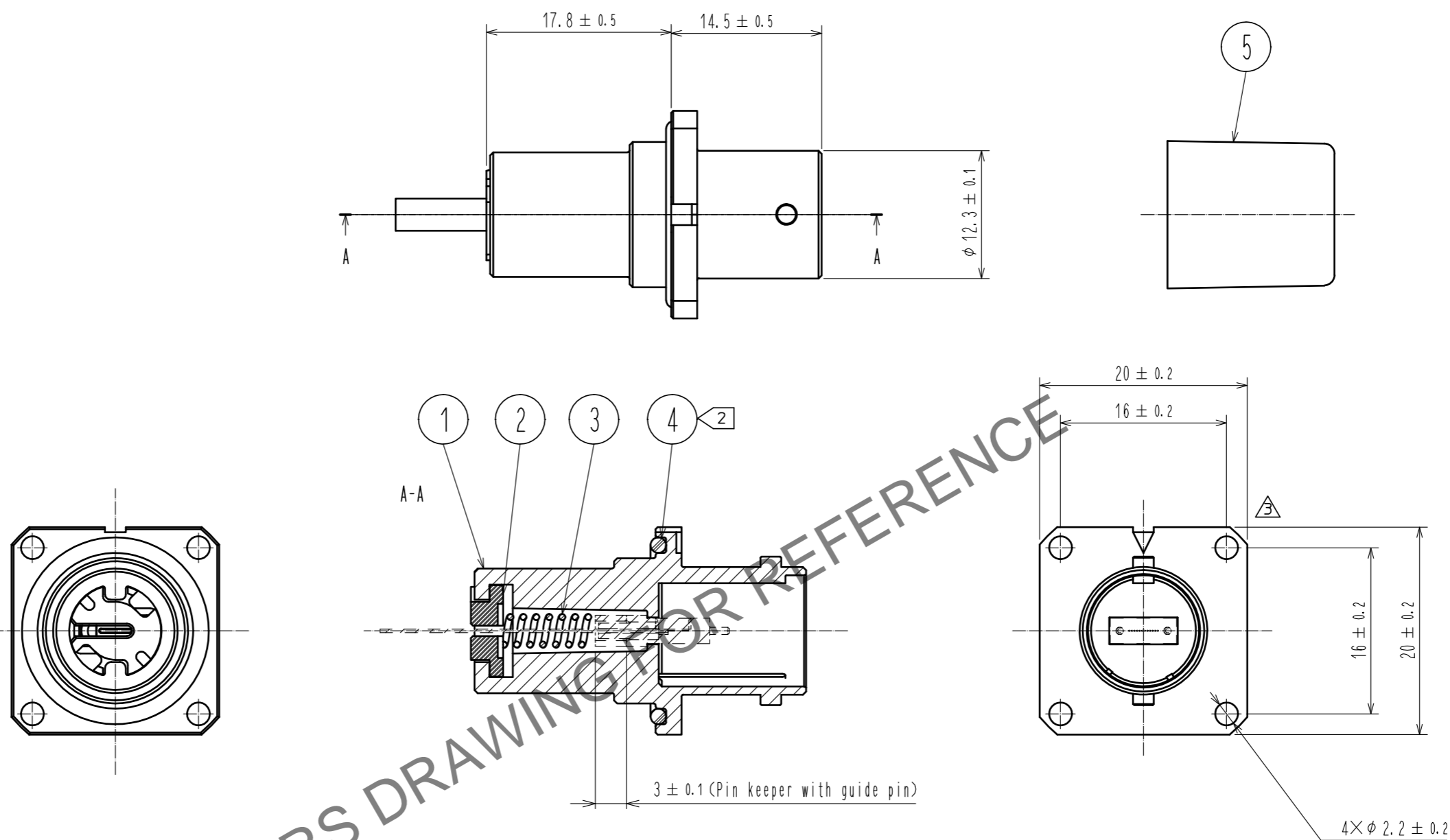


Sep.1.2024 Copyright 2024 HIROSE ELECTRIC CO., LTD. All Rights Reserved.  
In case of consideration for using Automotive equipment / device which demand high reliability, kindly contact our sales window correspondents.



HRS DRAWING FOR REFERENCE

- Note
1. FO cable and MT ferrule are NOT included i this product.
  2. IF part 4 comes off during transportation, please put again and use it.
  3. Use specifide tool to assemble this product.

3	Stainless steel	For 12-ribbon fiber : Springforce 1kgf(Black)	3		
2	Zinc alloy die casting	Ni plating	5	Elastomer	Black
1	Zinc alloy die casting	Ni plating	4	Silicone rubber	Red
NO.	MATERIAL	FINISH . REMARKS	NO.	MATERIAL	FINISH . REMARKS
UNITS	mm	SCALE	2 : 1	COUNT	2
		DESCRIPTION OF REVISIONS		DESIGNED	TY. SATO
		DIS-K-00001361		CHECKED	FS. YOSHIDA
				DATE	18. 02. 14
APPROVED : MT. SHIBUTANI			15. 09. 25	DRAWING NO. EDC-179725-00-00	
CHECKED : YY. HIYAMA			15. 09. 25	PART NO. MF11BMT-WRFA01	
DESIGNED : TY. SATO			15. 09. 25	CODE NO. CL709-7012-0-00	
DRAWN : TY. SATO			15. 09. 25		