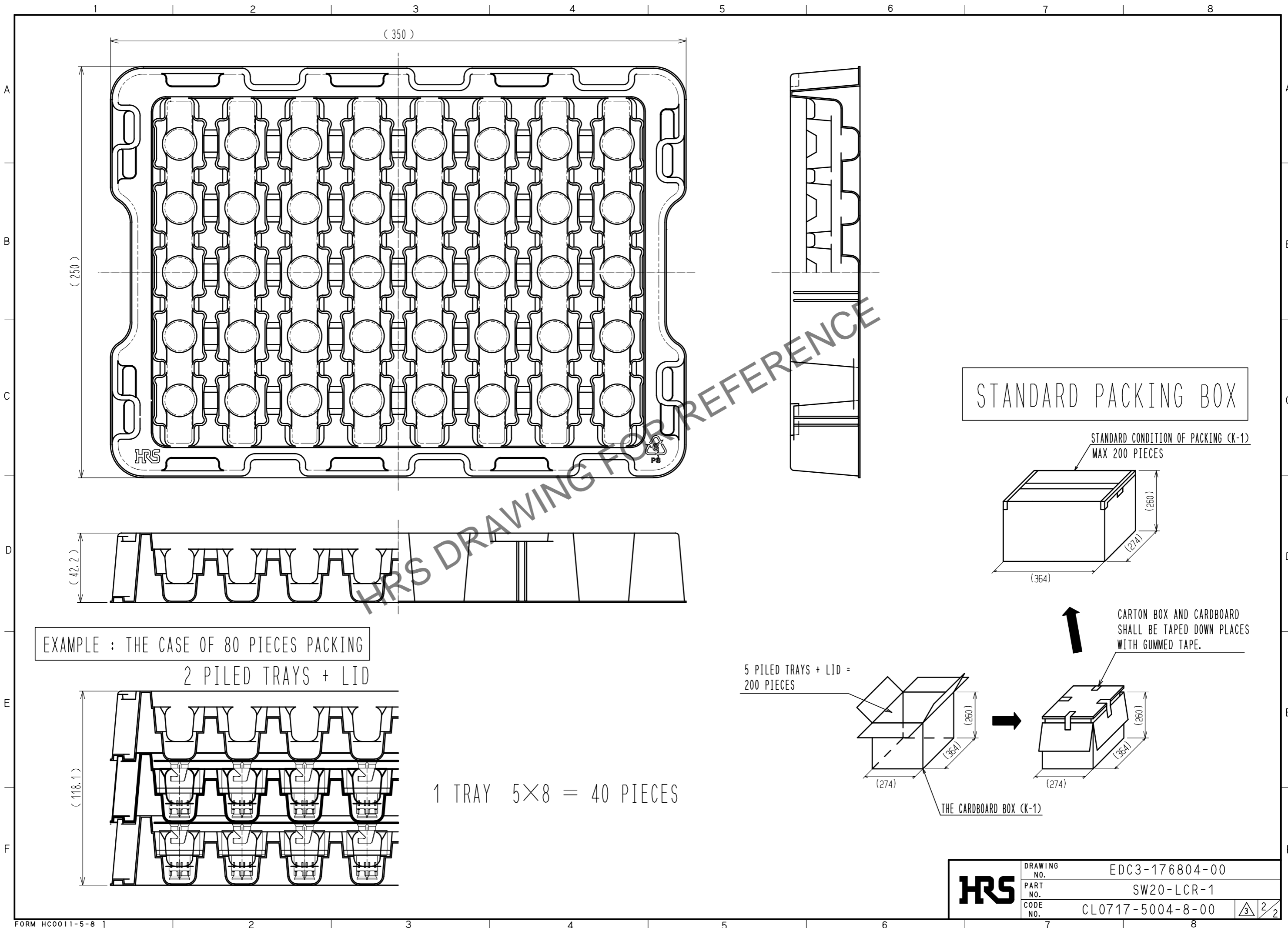
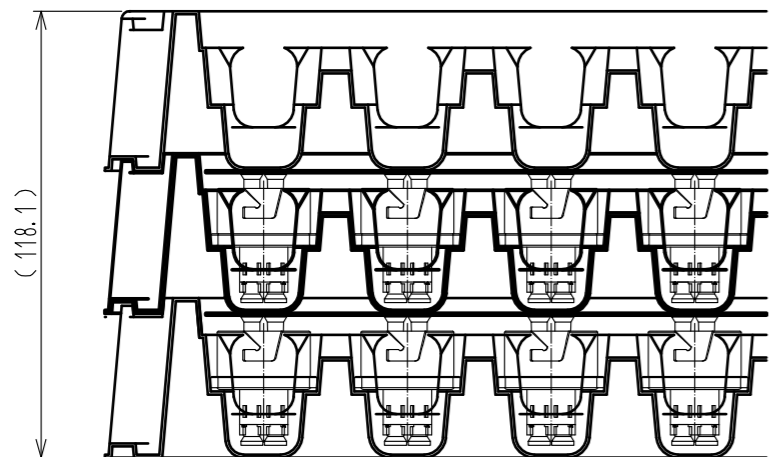


Apr.1.2026 Copyright 2026 HIROSE ELECTRIC CO., LTD. All Rights Reserved.
 In case of consideration for using Automotive equipment / device which demand high reliability, kindly contact our sales window correspondents.

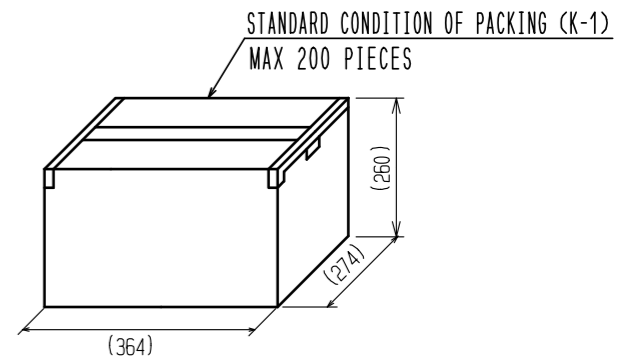


EXAMPLE : THE CASE OF 80 PIECES PACKING
 2 PILED TRAYS + LID

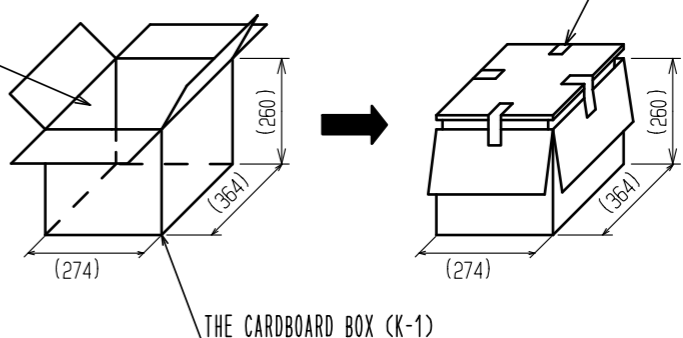


1 TRAY 5x8 = 40 PIECES

STANDARD PACKING BOX



5 PILED TRAYS + LID = 200 PIECES



CARTON BOX AND CARDBOARD SHALL BE TAPED DOWN PLACES WITH GUMMED TAPE.

HRS	DRAWING NO.	EDC3-176804-00	3/2
	PART NO.	SW20-LCR-1	
	CODE NO.	CL0717-5004-8-00	