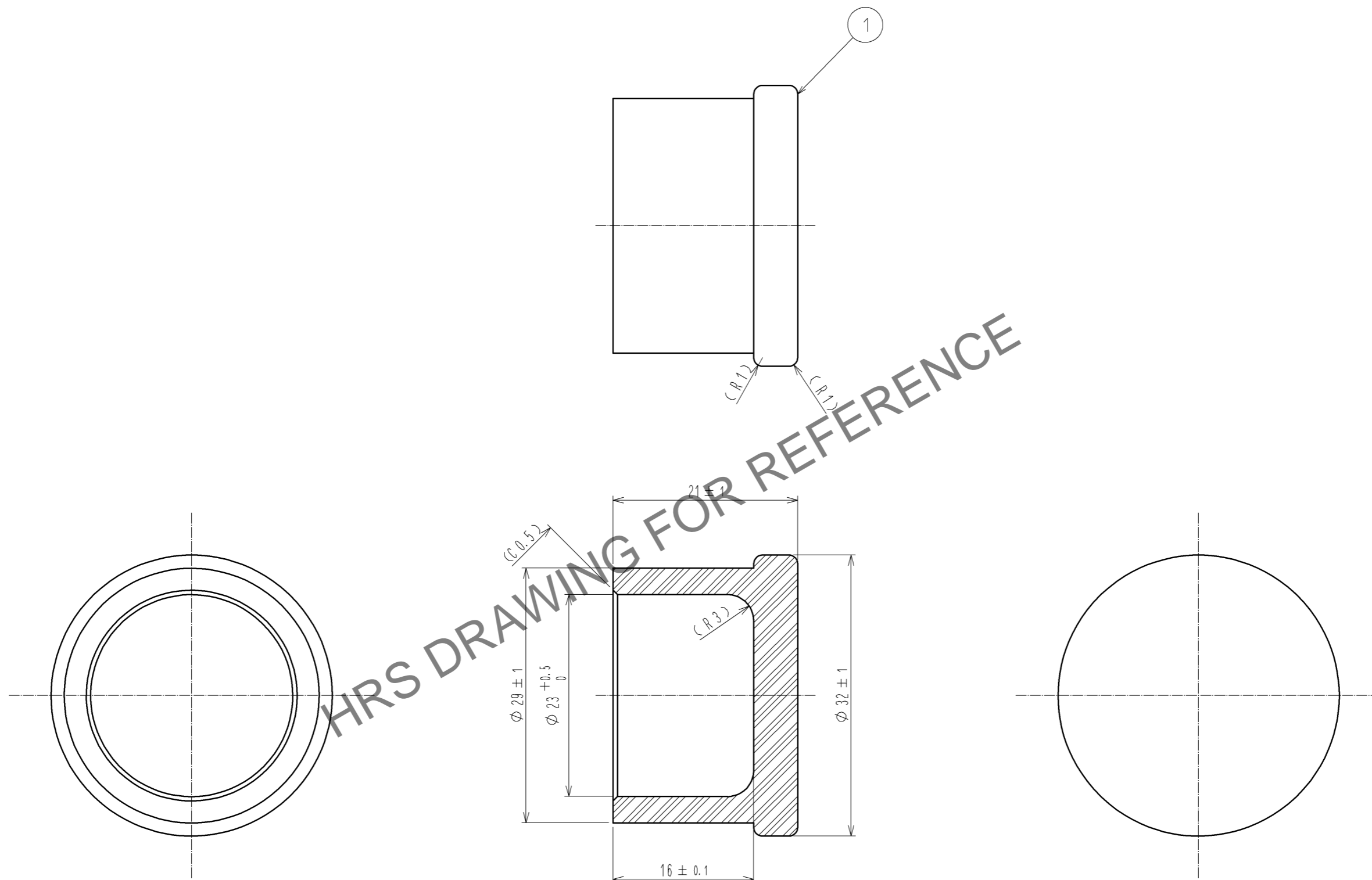


Apr.1.2026 Copyright 2026 HIROSE ELECTRIC CO., LTD. All Rights Reserved.
 In case of consideration for using Automotive equipment / device which demand high reliability, kindly contact our sales window correspondents.



NOTE 1. Dust-proof CAP.
 2. Compliant with ROHS.

△ Revision is based on a system.

1	SILICONE RUBBER	COLOR:BLACK				
NO.	MATERIAL	FINISH . REMARKS	NO.	MATERIAL	FINISH . REMARKS	
UNITS mm		SCALE 2 : 1	COUNT △ 1	DESCRIPTION OF REVISIONS		DESIGNED SR. TOYOKAWA
				DIS-K-002679		CHECKED SI. MATSUMOTO
				APPROVED : MT. SHIBUTANI	10.06.03	DATE 12.08.06
				CHECKED : YY. HIYAMA	10.06.03	DRAWING NO. EDC4-176921-00
				DESIGNED : YH. MASUZAKI	10.06.03	PART NO. SW20-RC3
				DRAWN : YH. MASUZAKI	10.06.03	CODE NO. CL717-5504-0-00