



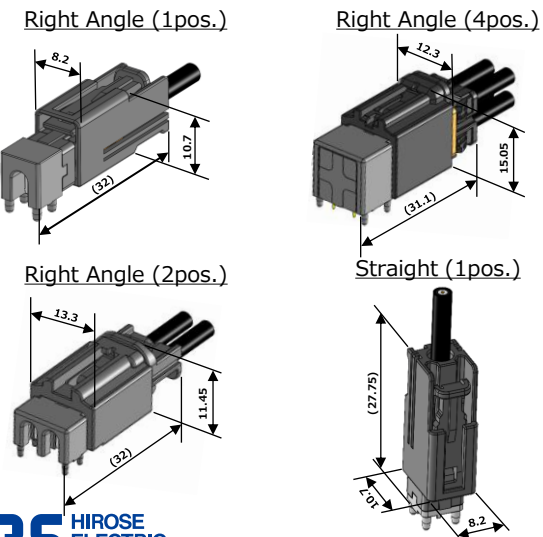
Features

- 1 **Wide Range of Low-Profile Coaxial Connector Variations**
- Wire-to-board and wire-to-wire types
- 2 **Designed to Meet Strict Automotive Requirements**
- 3 **Excellent High-Frequency Performance**
- V.S.W.R.: 1.5 Max. (0 to 6GHz)
- 4 **Automotive-Grade Connector for In-Vehicle Systems**
- Infotainment, cameras, and antennas
- 5 **Housing Structure Compatible with Ø3.0 Cable**



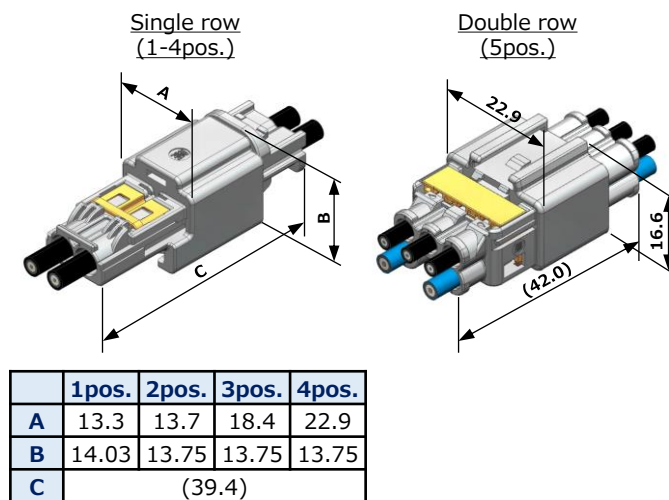
Dimensions

Wire to Board

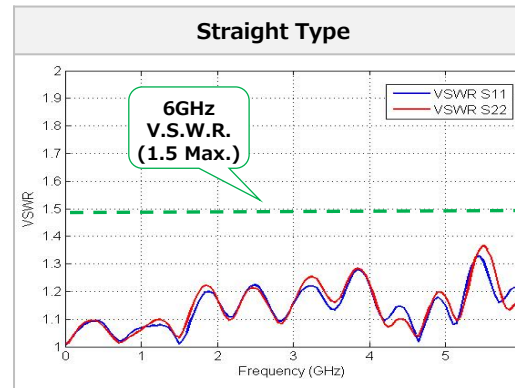


Wire to Wire

Unit: mm



High Frequency Performance



**V.S.W.R.: 1.5 Max.
[0 to 6GHz]**

Specifications

Impedance	50Ω±5Ω
V.S.W.R.	1.5 Max. (0 to 6GHz)
Rated Current	1A
Operating Temperature	-40 to +105°C*
Contact Resistance	Initial: 50mΩ Max. After test: 100mΩ Max.
Withstanding Voltage	500V AC for 1 minute
Insulation Resistance	100MΩ Min. (500V DC)
Mating Durability	30 times

* Includes the temperature rise due to current flow.