



Features

- 1 Low profile RF Wire-to-Board connector (Mated height: 14mm)
- 2 Meets severe automotive requirements
- 3 Mating failure minimized with clear tactile click
- 4 Floating design up to +0.4mm in Z-axis direction
- 5 Excellent high frequency performance - V.S.W.R: 1.5 Max. (0 to 3GHz)
- 6 Suitable for Automotive applications such as Infotainment, Telematics, Camera and Antenna



RF

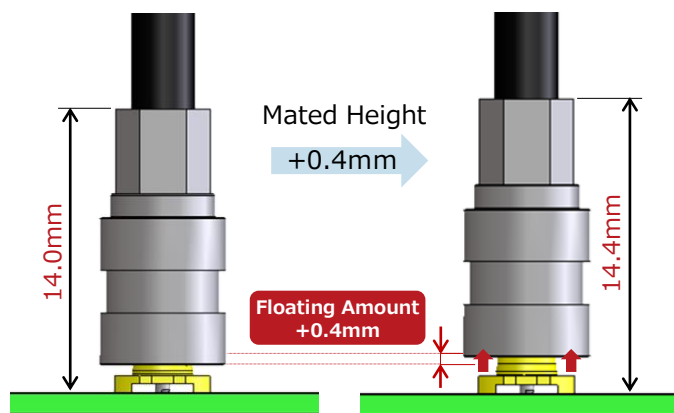


Floating

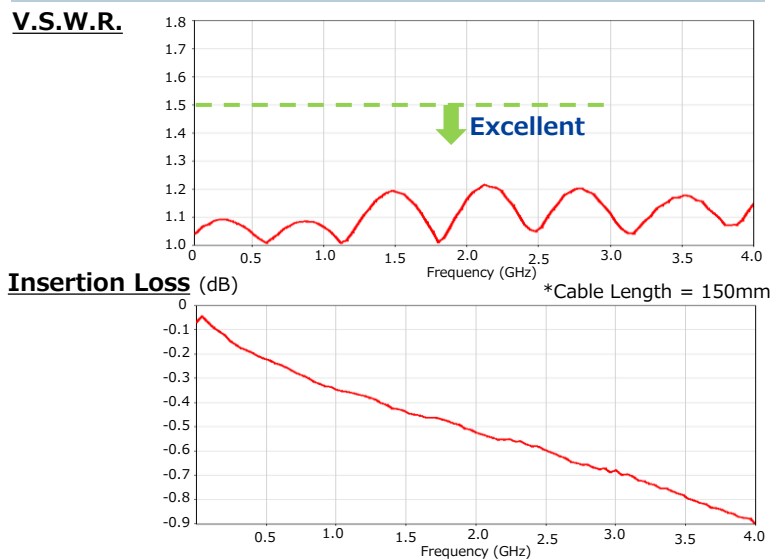


Automotive

Floating Design



High Frequency Performance



Specifications

Characteristic Impedance	50Ω
V.S.W.R.	0 to 3GHz : 1.5 Max.
Operating Temperature	-40 to +105°C*
Contact Resistance	Inner/Outer contact 30mΩ Max. at 1mA AC
Withstanding Voltage	500V AC for 1 min.
Insulation Resistance	100MΩ Min. (500V DC)
Mating Durability	30 times
Shock Resistance	980m/s ² , 6ms pulse duration 10 times in 3 directions

*Includes the temperature rise due to current flow.

- Applicable Cable : 1.5DS (Outer diameter : ø3.0)