

Features

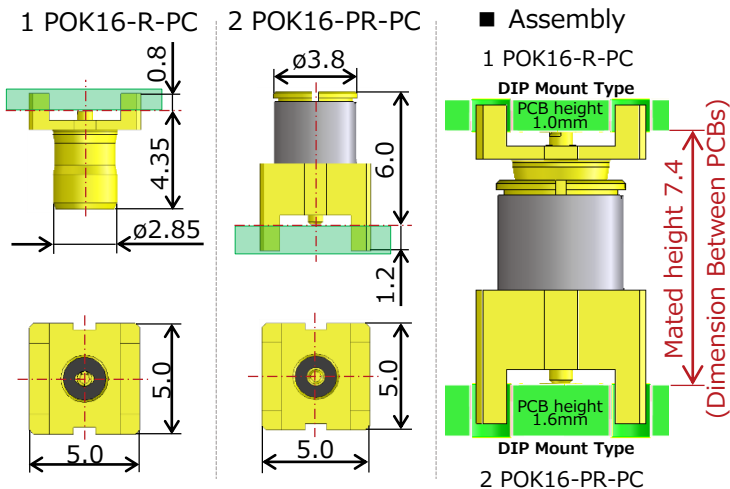
- 1 Low Profile RF Board-to-Board connector (Mated height : 7.4mm)
- 2 Meets severe automotive requirements
- 3 Mating failure minimized with clear tactile click
- 4 Easy to check the mounting direction using the polarity key
- 5 Excellent high frequency performance - V.S.W.R. : 1.5 Max. (0 to 3GHz)
- 6 Suitable for Automotive applications such as Wireless phone charger, Infotainment, Telematics, Camera and Antenna



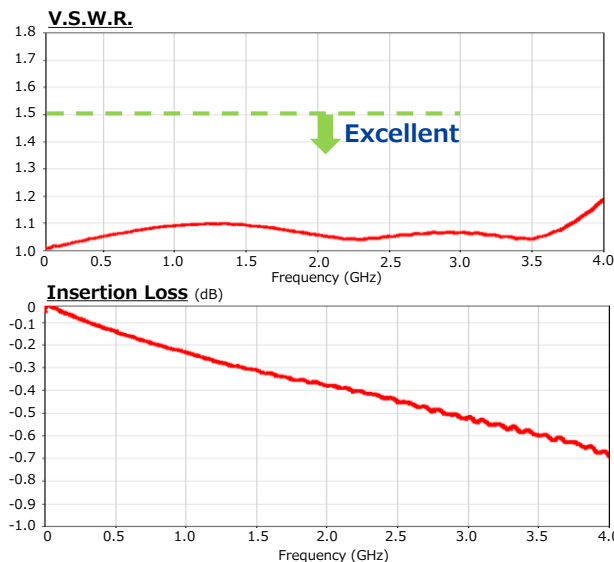
Apr. 1 2021 Copyright 2021 HIROSE ELECTRIC CO., LTD. All Rights Reserved.

Dimensions

Unit : mm



High Frequency Performance



Specifications

| | |
|--------------------------|--|
| Characteristic Impedance | 50Ω |
| V.S.W.R. | 0 to 3GHz : 1.5 Max. |
| Operating Temperature | -40 to +105°C* |
| Contact Resistance | Inner/Outer contact 30mΩ Max. at 1mA AC |
| Withstanding Voltage | 500V AC for 1 min. |
| Insulation Resistance | 100MΩ Min. (500V DC) |
| Mating Durability | 30 times |
| Shock Resistance | 980m/s ² , 6ms pulse duration 10 times in 3 directions |

*Includes the temperature rise by current flow.