

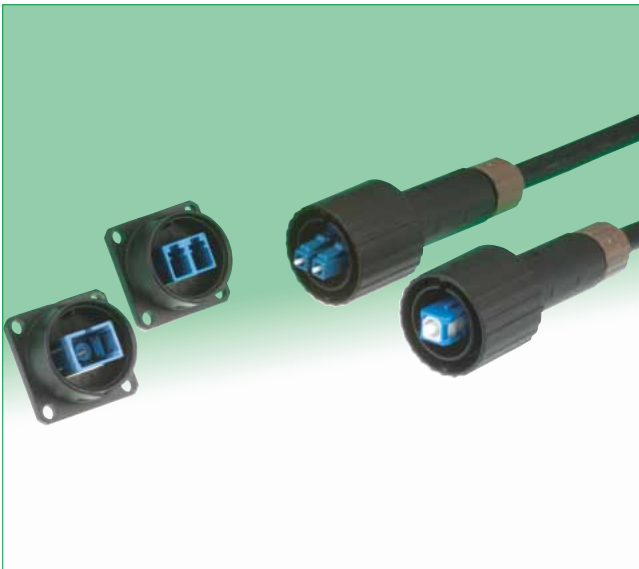
# Waterproof optical connectors with built-in SC/LC-Duplex

SW20 Series

Waterproof

1 or 2 pos.

Bayonet lock



## One action lock/unlock mechanism (Patented)

The schematic illustration of internal mechanism. (in case of LC type)

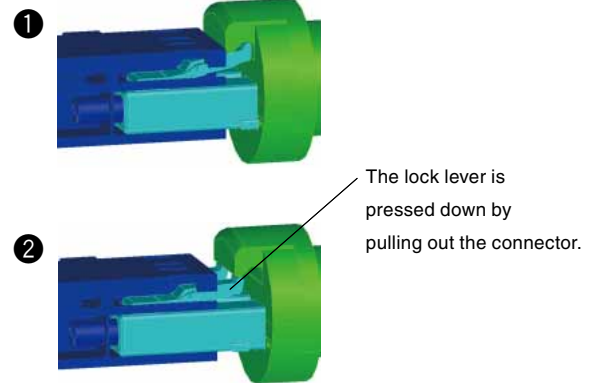


Fig.1

## Features

### 1. Waterproof bayonet lock + standard SC/LC connector

This connector combines a standard optical connector (SC/LC) and optical adaptor (SC/LC), and is covered with a waterproof shell. The bayonet locking mechanism provides a single-action mating/unmating between the receptacle mounted on the chassis and the plug.

### 2. Designed for harsh outdoor environments

Connector has passed a 1,000 hour salt spray test as well as the IP67 waterproof test when mated or with protective caps in place.

### 3. Common housing for SW20-SC and SW20-LC

The waterproof outer shell can be used for both the SW20-SC and SW20-LC. This feature simplifies procedures for mounting, mating and unmating.

### 4. Standard SC/LC connectors for testing

Any cord with a standard optical connector can be used for operation tests during assembly or installation, when water resistance is unnecessary. No special cord is needed.

### 5. Easy on-site maintenance

In the event of damage, the end face can be repaired by replacing the internal standard patch cord. This eliminates the need for replacement of the entire receptacle. (Fig.2)

## During maintenance and repair

Only the harness parts are replaced.

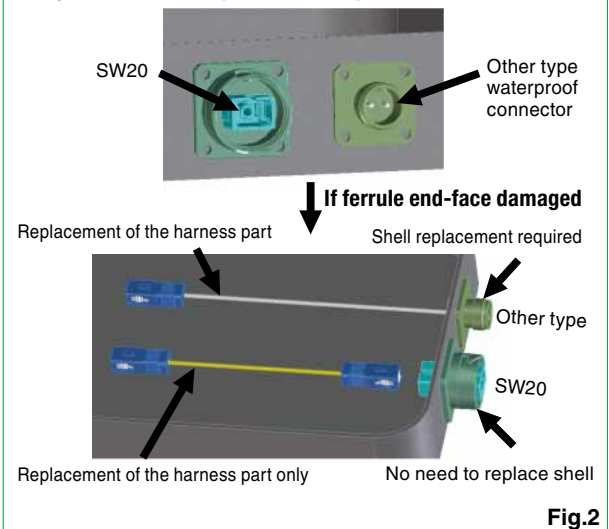


Fig.2

## Product Specifications

| Ratings                       | Operating temperature range            | -40°C to +85°C  | Storage temperature range  | -25°C to +70°C (AT PACKING) |
|-------------------------------|--|---|--|-----------------------------|
|                               | Item                                   | Test method   | Requirements   |                             |
| Optical characteristics       | Insertion loss                         | Wavelength 1310nm (LD)<br>Wavelength 1550nm (LD)  | 1310nm : 0.4dB max.,<br>1550nm : 0.5dB max.  |                             |
|                               | Return loss                            | Wavelength 1310nm (LD)  | 40dB min. (SM), 22dB min. (GI)   |                             |
| Mechanical characteristics    | Tensile strength(axial)                | A tensile force to cable axially for 1 minutes at 200N.   | Insertion loss range : ≤ 0.3dB<br>No Looseness, breakage, cracks   |                             |
|                               | Durability (mating/un-mating)          | 200 times   | 1) Insertion loss fluctuation after test : 0.3dB max.<br>2) No visible damage or components dislocation. |                             |
|                               | Vibration                              | Frequency : 10 to 55Hz, single amplitude of 0.75mm, acceleration of 98.1m/s <sup>2</sup> , 2 hours in each of the 3 axis. |  |                             |
|                               | Shock                                  | Acceleration of 981m/s <sup>2</sup> , 6ms duration, half sine shock pulse, 10 cycles in each of the 3 axis.               |  |                             |
| Environmental characteristics | Humidity (Temperature/humidity-cycles) | -10°C to +65°C, humidity : 90% to 100%<br>168 hours. (12H/cycle×14cycle)<br>(Telcordia GR3120-CORE)                       | 1) Insertion loss fluctuation after test : 0.3dB max.<br>2) No visible damage or components dislocation. |                             |
|                               | Temperature cycle                      | -40°C to +75°C, 42 cycles, 168hours.<br>(8H/cycle×42cycle) (Telcordia GR326-CORE)   |  |                             |
|                               | Dry heat                               | 240 hours at +85°C  |  |                             |
|                               | Cold                                   | 240 hours at -40°C  |  |                             |
|                               | Salt mist                              | Salt mist : 5% and temperature 35°C or 1000 hours.  | No heavy corrosion ruin the function.  |                             |
|                               | Water resistance (mating)              | Put the product under water for 1min, with air pressure 4.9kPa.   | No air leakage.  |                             |

## Materials / Finish

| Part                   | Plug   |                | Receptacle   |                |
|------------------------|--|----------------|--|----------------|
|                        | Material   | Finish/Remarks | Material   | Finish/Remarks |
| Housing                | Zinc alloy die casting   | Chrome plated  | Zinc alloy   | Chrome plated  |
|                        | Synthetic resin  | UL94V-0        |  |                |
| Oring/gasket           | Synthetic rubber   | —              | Synthetic rubber                                       | —              |
| SC/LC                  | Depend on each connector.<br>(Synthetic resin, Zirconia, spring) | —              | Depend on each adapter.<br>(Synthetic resin, Zirconia) | —              |
| Spring                 | Steel wire   | —              | —  | —              |
| Others (Internal part) | Phosphor bronze  | Nickel plated  | —  | —              |
|                        | Zinc alloy   | Nickel plated  | —  | —              |
|                        | Stainless steel  | —              | —  | —              |

## Product Number Structure

Refer to the chart below when determining the product specifications from the product number.  
Please select from the product numbers listed in this catalog when placing orders.

### (1) Plug housing

**SW20** - **SC** **P** **T75** - **1**

①                      ②                      ③                      ④                      ⑤

|   |  |
|---|--|
| ① Series name : SW20                                      | ③ Plug housing : P                             |
| ② Connector type : SC...SW20-SC plug<br>LC...SW20-LC plug | ④ Cable type T75 : φ7 round cable.<br>⑤ Suffix |

Please contact us in case you need Plug kit only.

### (2) Receptacle

**SW20** - **SC** **R** - **1**

①                      ②                      ③                      ④

|  |                             |
|--|-----------------------------|
| ① Series name : SW20   | ③ Receptacle R : Receptacle |
| ② Connector type : SC...SW20-SC receptacle<br>LC...SW20-LC recetacle | ④ Suffix                    |

### (3) Receptacle cap

**SW20** - **RC** **1**

①                      ②                      ③

|                                      |  |
|--------------------------------------|--|
| ① Series name : SW20                 | ③ Suffix 1 : Waterproof cap<br>3 : Dustproof cap(Not waterproof) |
| ② Receptacle cap RC : Receptacle cap |  |

### (4) Adaptor

**SW20** - **LC** **A** - **1**

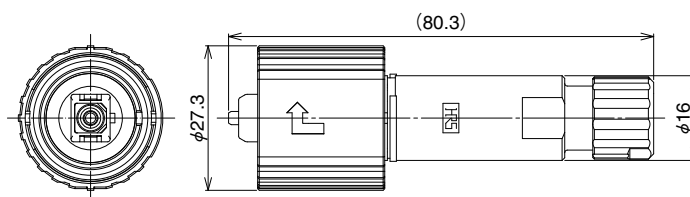
①                      ②                      ③                      ④

|   |                       |
|---|-----------------------|
| ① Series name : SW20                    | ③ Adaptor A : Adaptor |
| ② Connector type : LC...SW20-LC adaptor | ④ Suffix              |

## Plug housing

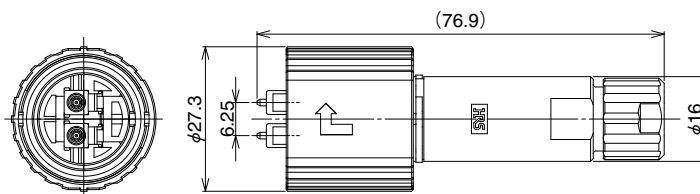
Please contact us for applicable cables.

### ● SC type



| Part No.          | HRS No.       | SM, GI | Ferulle dimension |
|-------------------|---------------|--------|-------------------|
| SW20-SCPT75-2(22) | 717-5019-5 22 | SM     | φ0.1255           |
| SW20-SCPT75-2(23) | 717-5019-5 23 | GI     | φ0.126            |

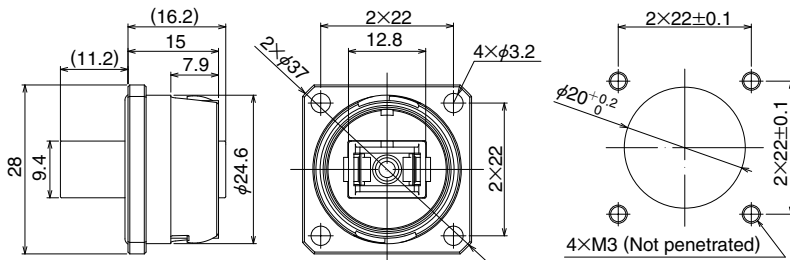
### ● LC type



| Part No.          | HRS No.       | SM, GI | Ferulle dimension |
|-------------------|---------------|--------|-------------------|
| SW20-LCPT75-3     | 717-5508-1 00 | SM     | φ0.1255           |
| SW20-LCPT75-3(21) | 717-5508-1 21 | GI     | φ0.126            |

## ■ Receptacle

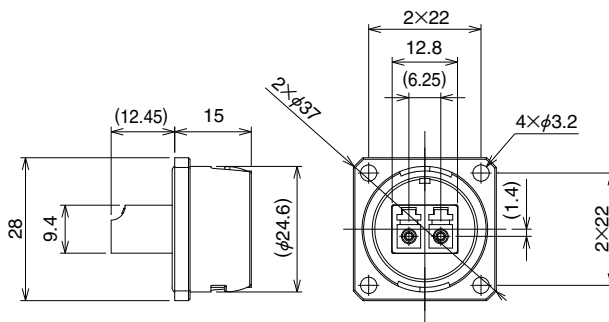
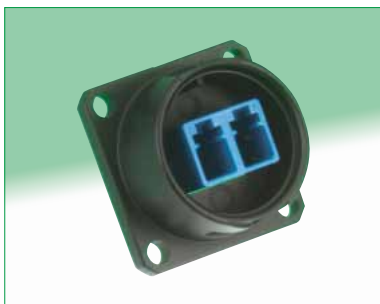
### ● SC type



| Part No.       | HRS No.       | Packing style         |
|----------------|---------------|-----------------------|
| SW20-SCR-1(01) | 717-5002-2 01 | 1pcs/pack(1 to 9 pcs) |
| SW20-SCR-1(02) | 717-5002-2 02 | Tray(10 pcs or more)  |

Note : LC-type's cutout same as SC-type.

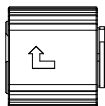
### ● LC type



| Part No.   | HRS No.       | Packing style                               |
|------------|---------------|---|
| SW20-LCR-1 | 717-5004-8 00 | 1pcs/pack(1 to 9 pcs), Tray(10 pcs or more) |

## ■ Receptacle Cap

### ● Waterproof type



| Part No.     | HRS No.       | Packing style |
|--------------|---------------|---------------|
| SW20-RC1(01) | 717-5501-2 01 | 1 pcs/pack    |

### ● Dustproof type

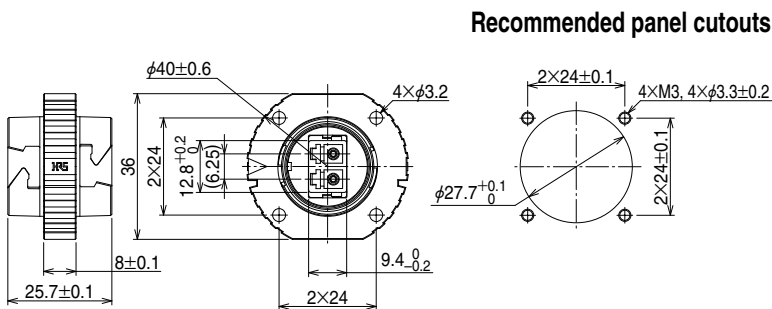


| Part No. | HRS No.    | Packing style |
|----------|------------|---------------|
| SW20-RC3 | 717-5504-0 | 1 pcs/pack    |

Note : Without waterproof.

## ■ Adaptor

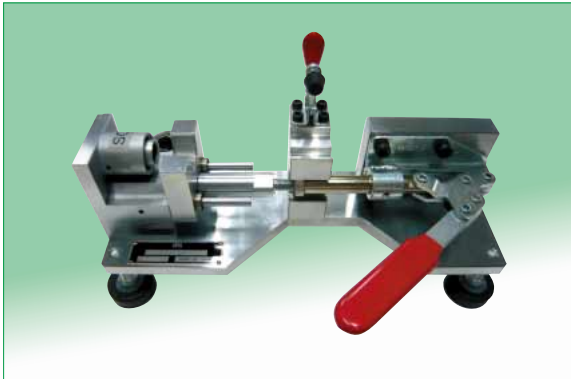
### ● LC type



| Part No.   | HRS No.       | Packing style |
|------------|---------------|---------------|
| SW20-LCA-1 | 717-5028-6 00 | 1 pcs/pack    |

◆ Tool

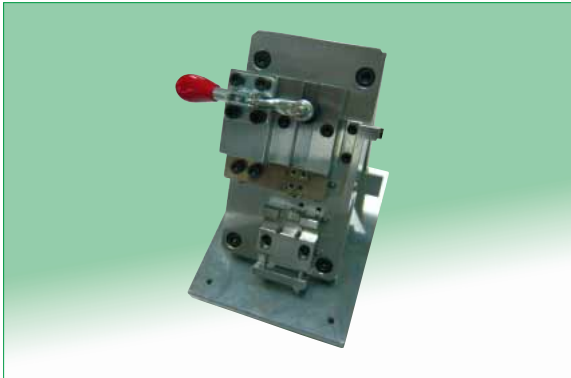
● Hood Insertion Tool (SC, LC)



| Part No.           | HRS No.       |
|--------------------|---------------|
| SW20-SCLC-T1/CV-MD | 902-6065-5 00 |

Note : When you change SC and LC, please exchange tip attachment before assembling.

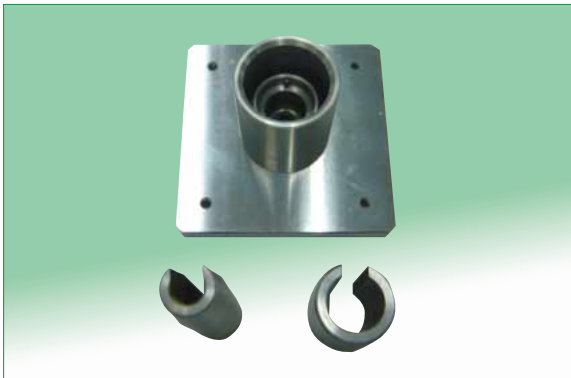
● Fastener Insertion Tool (SC, LC)



| Part No.            | HRS No.       |
|---------------------|---------------|
| SW20-LCPT75-1/CVMD3 | 902-3227-9 00 |

Note : When you change SC and LC, please exchange tip attachment before assembling.

● Spring Washer Insertion Tool (SC, LC)



| Part No.            | HRS No.       |
|---------------------|---------------|
| SW20-LCPT75-1/CVMD4 | 902-6074-0 00 |

● LC Housing A, B, C Insertion Tool (LC)



| Part No.            | HRS No.       |
|---------------------|---------------|
| SW20-LCPT75-1/CVMD1 | 902-3225-3 00 |

**USA:**

**HIROSE ELECTRIC (U.S.A.), INC. HEADQUARTERS CHICAGO OFFICE**  
2300 Warrenville Road, Suite 150,  
Downers Grove, IL 60515  
Phone : +1-630-282-6700  
<http://www.hirose.com/us/>

**USA:**

**HIROSE ELECTRIC (U.S.A.), INC. SAN JOSE OFFICE**  
2841 Junction Ave, Suite 200  
San Jose, CA. 95134  
Phone : +1-408-253-9640  
Fax : +1-408-253-9641  
<http://www.hirose.com/us/>

**USA:**

**HIROSE ELECTRIC (U.S.A.), INC. DETROIT OFFICE (AUTOMOTIVE)**  
17197 N. Laurel Park Drive, Suite 253,  
Livonia, MI 48152  
Phone : +1-734-542-9963  
Fax : +1-734-542-9964  
<http://www.hirose.com/us/>

**USA:**

**HIROSE ELECTRIC (U.S.A.), INC. BOSTON OFFICE**  
300 Brickstone Square Suite 201,  
Andover, MA 01810  
Phone : +1-978-662-5255

**THE NETHERLANDS:**

**HIROSE ELECTRIC EUROPE B.V.**  
Hogehillweg #8 1101 CC Amsterdam Z-0  
Phone : +31-20-6557460  
Fax : +31-20-6557469  
<http://www.hirose.com/eu/>

**GERMANY:**

**HIROSE ELECTRIC EUROPE B.V. GERMAN BRANCH**  
Schoenbergstr. 20, 73760 ostfildern  
Phone : +49-711-456002-1  
Fax : +49-711-456002-299  
<http://www.hirose.com/eu/>

**GERMANY:**

**HIROSE ELECTRIC EUROPE B.V. NUREMBERG OFFICE**  
Neumeyerstrasse 22-26, 90411 Nurnberg  
Phone : +49-911 32 68 89 63  
Fax : +49-911 32 68 89 69  
<http://www.hirose.com/eu/>

**GERMANY:**

**HIROSE ELECTRIC EUROPE B.V. HANOVER OFFICE**  
Bayernstr. 3, Haus C 30855 Langenhagen, Germany  
Phone : +49-511 97 82 61 30  
Fax : +49-511 97 82 61 35  
<http://www.hirose.com/eu/>

**FRANCE:**

**HIROSE ELECTRIC EUROPE B.V. PARIS OFFICE**  
Regus La Garenne Colombes, Place de La Belgique,  
71 Boulevard National La Garenne Colombes, 92250, France  
Phone : +33 (0) 1 7082 3170  
Fax : +33 (1) 7082 3101  
<http://www.hirose.com/eu/>

**UNITED KINGDOM:**

**HIROSE ELECTRIC EUROPE BV (UK BRANCH)**  
4 Newton Court, Kelvin Drive, Knowlhill,  
Milton Keynes, MK5 8NH  
Phone : +44-1908 202050  
Fax : +44-1908 202058  
<http://www.hirose.com/eu/>

**CHINA:**

**HIROSE ELECTRIC (SHANGHAI) CO., LTD.**  
18, Enterprise Center Tower 2, 209# Gong He  
Road, Jing'an District, Shanghai, CHINA 200070  
Phone : +86-21-6391-3355  
Fax : +86-21-6391-3335  
<http://www.hirose.com/cn/>

**CHINA:**

**HIROSE ELECTRIC (SHANGHAI) CO.,LTD. BEIJING BRANCH**  
A1001, Ocean International Center, Building 56# East 4th  
Ring Middle Road, ChaoYang District, Beijing, 100025  
Phone : +86-10-5165-9332  
Fax : +86-10-5908-1381  
<http://www.hirose.com/cn/>

**CHINA:**

**HIROSE ELECTRIC TECHNOLOGIES (SHENZHEN) CO., LTD.**  
Room 09-13, 19/F, Office Tower Shun Hing Square, Di Wang Commercial Centre,  
5002 Shen Nan Dong Road, Shenzhen City, Guangdong Province, 518008  
Phone : +86-755-8207-0851  
Fax : +86-755-8207-0873  
<http://www.hirose.com/cn/>

**HONG KONG:**

**HIROSE ELECTRIC HONGKONG TRADING CO., LTD.**  
Room 1001, West Wing, Tsim Sha Tsui Centre, 66  
Mody Road, Tsim Sha Tsui East, Kowloon, Hong Kong  
Phone : +852-2803-5338  
Fax : +852-2591-6560  
<http://www.hirose.com/hk/>

**TAIWAN:**

**HIROSE ELECTRIC TAIWAN CO., LTD.**  
103 8F, No.87, Zhengzhou Rd., Taipei  
Phone : +886-2-2555-7377  
Fax : +886-2-2555-7350  
<http://www.hirose.com/tw/>

**KOREA:**

**HIROSE KOREA CO.,LTD.**  
143, Gongdan 1-daero, Siheung-si,  
Gyeonggi-do, 15084, Korea  
Phone : +82-31-496-7000  
Fax : +82-31-496-7100  
<http://www.hirose.co.kr/>

**SINGAPORE:**

**HIROSE ELECTRIC SINGAPORE PTE. LTD.**  
03, Anson Road, #20-01, Springleaf Tower,  
Singapore 079909  
Phone : +65-6324-6113  
Fax : +65-6324-6123  
<http://www.hirose.com/sg/>

**INDIA:**

**HIROSE ELECTRIC SINGAPORE PTE. LTD. DELHI LIAISON OFFICE**  
Office NO.552, Regus-Green Boulevard, Level5, Tower C,  
Sec62, Plot B-9A, Block B, Noida, 201301, Uttar Pradesh, India  
Phone : +91-12-660-8018  
Fax : +91-120-4804949  
<http://www.hirose.com/sg/>

**INDIA:**

**HIROSE ELECTRIC SINGAPORE PTE. LTD. BANGALORE LIAISON OFFICE**  
Unit No-403, 4th Floor, No-84, Barton Centre, Mahatma  
Gandhi (MG) Road, Bangalore 560 001, Karnataka, India  
Phone : +91-80-4120 1907  
Fax : +91-80-4120 9908  
<http://www.hirose.com/sg/>

**MALAYSIA:**

**PENANG REPRESENTATIVE OFFICE**  
73-3-1, Ideal@The One, Jalan Mahsuri, Bayan  
Lepas Penang, 11950, Malaysia  
Phone : +604-648-5536  
<http://www.hirose.com/sg/>

**THAILAND:**

**BANGKOK OFFICE (REPRESENTATIVE OFFICE)**  
Unit 4703, 47th FL., 1 Empire Tower, South Sathorn  
Road, Yannawa, Sathorn, Bangkok 10120 Thailand  
Phone : +66-2-686-1255  
Fax : +66-2-686-3433  
<http://www.hirose.com/sg/>



**HIROSE ELECTRIC CO.,LTD.**

2-6-3,Nakagawa Chuoh,Tsuzuki-Ku,Yokohama-Shi 224-8540,JAPAN  
TEL: +81-45-620-3526 Fax: +81-45-591-3726  
<http://www.hirose.com>  
<http://www.hirose-connectors.com>