

MODULAR CONNECTORS

CL 222 TM

Plug for copper foil, stranded wire flat type cable

Material · Finish

| Part name | Material | Finish |
|-----------|-----------------|-------------|
| Plug case | Polycarbonate | Clear |
| Terminal | Phosphor Bronze | Gold plated |

| Applicable Cable | |
|--------------------|-------------------------|
| Conductor diameter | Copper foil or AWG # 26 |
| Insulator diameter | 0.9- 1.0 |

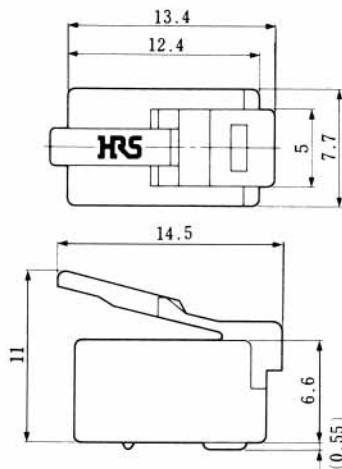
Electrical Performance

| Item | Condition | Specification |
|-----------------------|-----------|---------------|
| Current rating | Per pin | 0.5A |
| Voltage rating | Per pin | 125V AC |
| Insulation Resistance | 100V DC | 100 M Min. |
| Withstanding Voltage | 1 minute | 500V r.m.s AC |

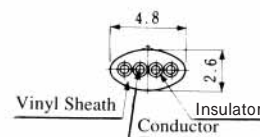
TM3P-44P



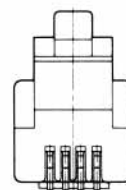
(Packing unit: 100 Pcs.)



| CL No. | Part No. | RoHS |
|------------|----------|------|
| 222-0207-2 | TM3P-44P | YES |



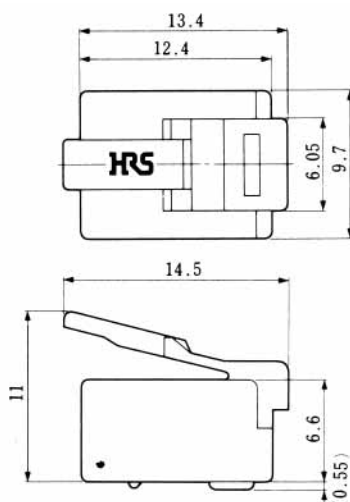
Applicable cable section



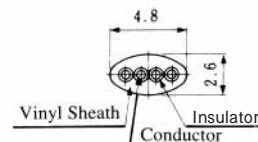
TM3P-62P, 64P & 66P



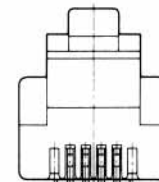
(Packing unit: 100 Pcs.)



| CL No. | Part No. | RoHS |
|------------|----------|------|
| 222-0278-0 | TM3P-62P | YES |
| 222-0208-5 | TM3P-64P | |
| 222-0209-8 | TM3P-66P | |



Applicable cable section

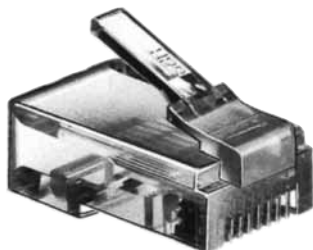


Note: Shown TM3P-64P.

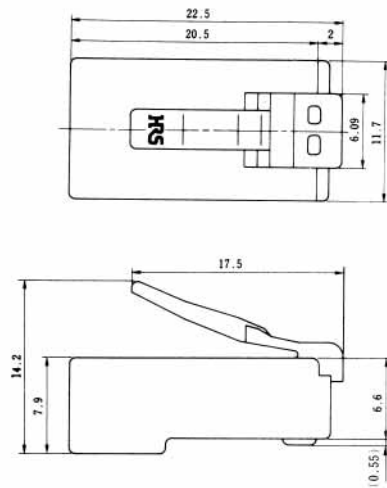
MODULAR CONNECTORS

CL 222 TM

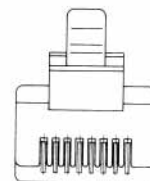
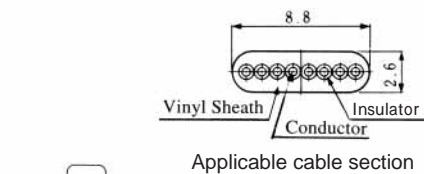
TM8P-88P



(Packing unit: 100 Pcs.)



| CL No. | Part No. | RoHS |
|------------|----------|------|
| 222-1817-9 | TM8P-88P | YES |



MODULAR CONNECTORS

CL 222 TM

Plug for copper foil, stranded wire circular type cable

Material · Finish

| Part name | Material | Finish |
|-----------|-----------------|-------------|
| Plug case | Polycarbonate | Clear |
| Terminal | Phosphor Bronze | Gold plated |

| Applicable Cable | |
|--------------------|-------------------------|
| Conductor diameter | Copper foil or AWG # 26 |
| Insulator diameter | 0.9- 1.0 |

Electrical Performance

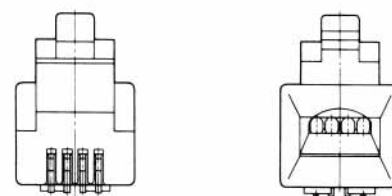
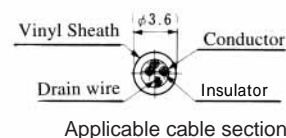
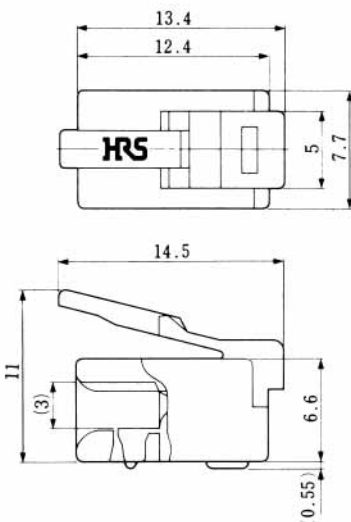
| Item | Condition | Specification |
|-----------------------|-----------|---------------|
| Current rating | Per pin | 0.5A |
| Voltage rating | Per pin | 125V AC |
| Insulation Resistance | 100V DC | 100 M Min. |
| Withstanding Voltage | 1 minute | 500V r.m.s AC |

TM4P-44P

| CL No. | Part No. | RoHS |
|------------|----------|------|
| 222-0279-3 | TM4P-44P | YES |

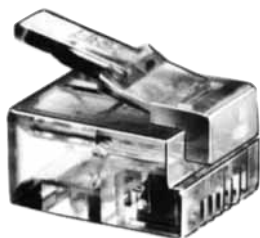


(Packing unit: 100 Pcs.)

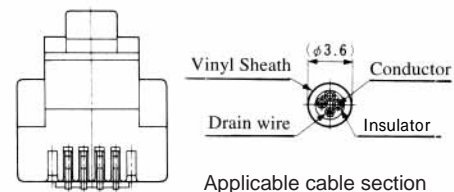
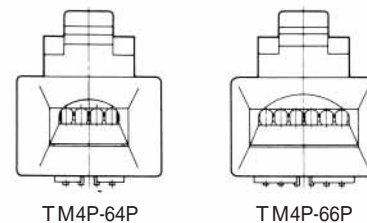
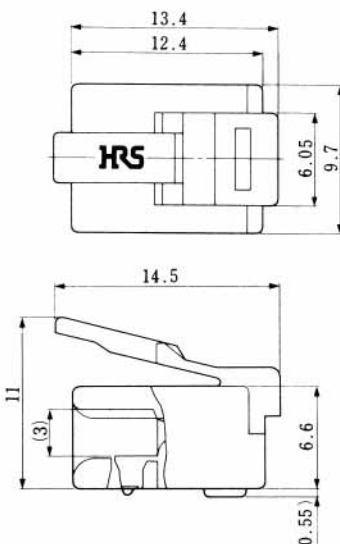


TM4P-64P & 66P

| CL No. | Part No. | RoHS |
|------------|----------|------|
| 222-0280-2 | TM4P-64P | YES |
| 222-0281-5 | TM4P-66P | YES |



(Packing unit: 100 Pcs.)



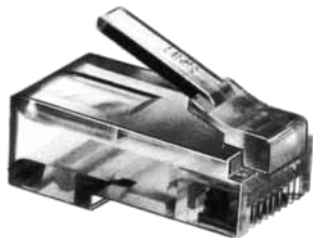
Note: Shown TM4P-64P.

MODULAR CONNECTORS

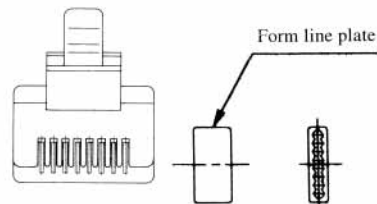
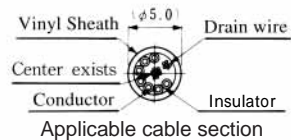
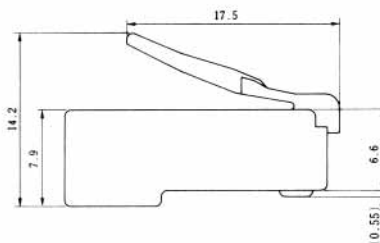
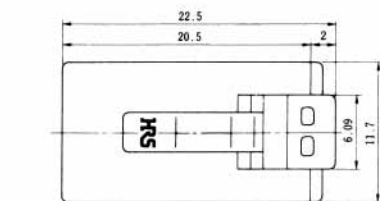
CL 222 TM

TM10P-88P

| CL No. | Part No. | RoHS |
|------------|-----------|------|
| 222-1818-1 | TM10P-88P | YES |



(Packing unit: 100 Pcs.)



MODULAR CONNECTORS

CL 222 TM

Plug Connector Cable Assembly Tool

Hand Tool



| CL No. | Part No. | Applicable connector |
|--------------|--------------------|-----------------------------------|
| CL902-2205-0 | HT601-TM3/4P-44P | TM3P-44P, TM4P-44P |
| CL902-2206-3 | HT601-TM3/4P-64P | TM3P-64P, TM4P-64P TM3P-62P |
| CL902-2207-6 | HT601-TM3/4P-66P | TM3P-66P, TM4P-66P |
| 250-0228-1 | TC-2220-8/10P-88-1 | TM8P-88P, TM10P-88P TM10P1-88P |

* This tool is made of metal and offers rigidity and durability. The handle is equipped with a ratchet mechanism that allows the press fit height of the plate contact to be set uniformly, and also permits the prevention of insufficient clamping.

* The tool can be used for insulation stripping of flat cables and round cables. Note that model HT601-TM3/4P-66P is for use with flat cables only. Also note that model TC-2220-8/10P-88-1 is not equipped with an insulation stripping mechanism.

* The cable is pulled out by the lever which permits consistent insulation stripping.

Note: Please note that depending on the specifications of the cable, there may be instances in which the insulation cannot be stripped.

When using the tool with products other than Hirose Electric modular plugs, the wiring quality cannot be guaranteed; therefore, please be sure to use Hirose Electric plugs.

| Item | Part No. | CL No. | Applicable connector |
|------------|-----------------------|------------|--------------------------------|
| Press | CM-105 | 901-0005-4 | |
| Applicator | Applicator 105-TMP-44 | 901-0195-1 | TM3P-44P, TM4P-44P |
| | Applicator 105-TMP-64 | 901-0194-9 | TM3P-64P, TM4P-64P TM2P-62P |
| | Applicator 105-TMP-66 | 901-0193-6 | TM3P-66P, TM4P-66P |
| | AP105-TM10P1-88P | 901-2569-0 | TM8P-88P, TM10P-88P |

MODULAR CONNECTORS

CL 222 TM

Plug for Solid Wire Cable

Material · Finish

| Part name | Material | Finish |
|-----------|-----------------|-------------|
| Plug case | Polycarbonate | Clear |
| Terminal | Phosphor Bronze | Gold plated |

| Applicable Cable | |
|--------------------|--------------|
| Conductor diameter | 0.4 ~ 0.65 * |
| Insulator diameter | 0.96 max. |

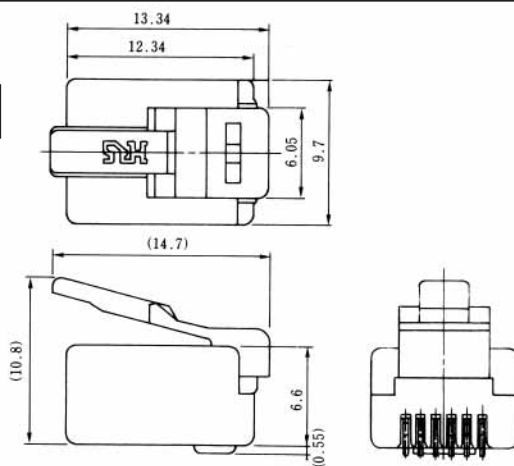
* In case of use 0.65, not to be connected fully for 6 pins and 8 pins depend on size of insulator diameter.

Electrical Performance

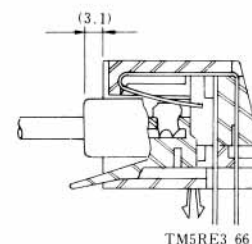
| Item | Condition | Specification |
|-----------------------|-----------|---------------|
| Current rating | Per pin | 0.5A |
| Voltage rating | Per pin | 30V AC |
| Insulation Resistance | 100V DC | 100 M Min. |
| Withstanding Voltage | 1 minute | 500V r.m.s AC |

TM20P-66P

| CL No. | Part No. | RoHS |
|------------|-----------|------|
| 222-2275-3 | TM20P-66P | YES |



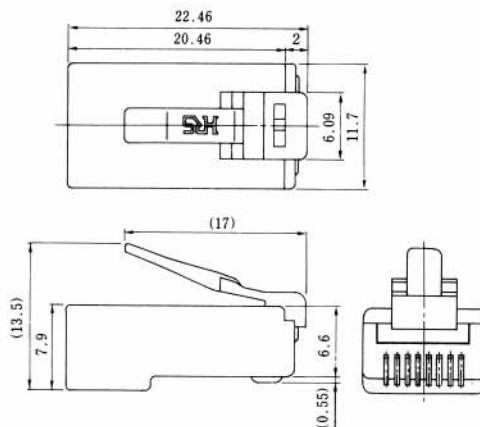
Mating Conditon Figure



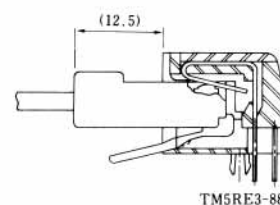
(Packing unit: 100 Pcs.)

TM20P-88P

| CL No. | Part No. | RoHS |
|------------|-----------|------|
| 222-2217-7 | TM20P-88P | YES |



Mating Conditon Figure



(Packing unit: 100 Pcs.)

Exclusive Hand Tool for Connection



| CL No. | Part No. | Applicable Connector |
|------------|-------------------|----------------------|
| 250-0240-7 | TC2-TM20P-66P | TM20P-66P |
| 250-0241-0 | TC2-TM20P/30P-88P | TM20P-88P |

MODULAR CONNECTORS

CL 222 TM

Plug for Thin Wire Cable

Material • Finish

| Part name | Material | Finish |
|-----------|--------------------|-------------|
| Plug case | Polycarbonate * | 6 Pins |
| | | 8 Pins |
| Terminal | Phosphor Bronze | Gold plated |

*UL94V-0

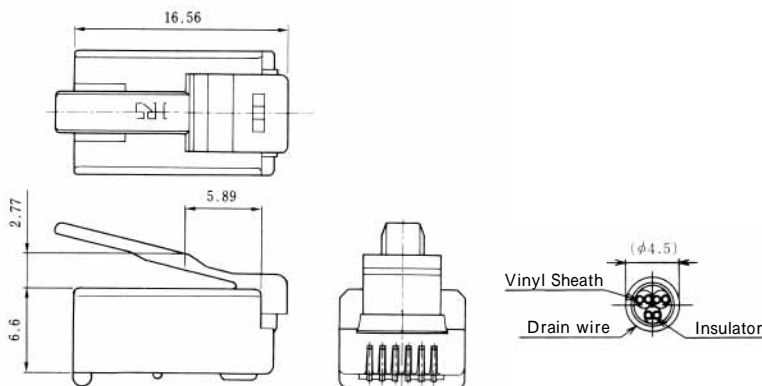
| Applicable Cable | |
|--------------------|---------------------|
| Conductor diameter | AWG # 28(7/0.127) |
| Insulator diameter | 0.787 max. |

Electrical Performance

| Item | Condition | Specification |
|-----------------------|-----------|---------------|
| Current rating | Per pin | 0.5A |
| Voltage rating | Per pin | 125V AC |
| Insulation Resistance | 100V DC | 100 M Min. |
| Withstanding Voltage | 1 minute | 500V r.m.s AC |

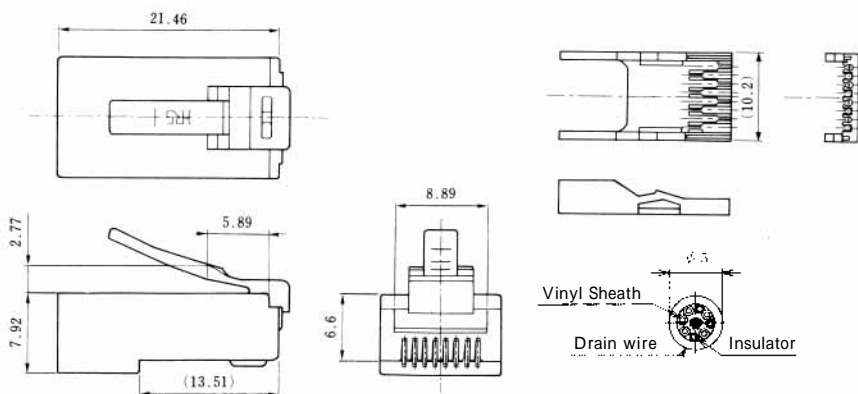
TM30P-66P

| CL No. | Part No. | RoHS |
|------------|-----------|------|
| 222-2684-2 | TM30P-66P | YES |



TM30P-88P

| CL No. | Part No. | RoHS |
|------------|-----------|------|
| 222-2685-5 | TM30P-88P | YES |



Exclusive Hand Tool for Connection



| CL No. | Part No. | Applicable Connector |
|------------|-------------------|----------------------|
| 250-0145-6 | TC1-TM30P-66P | TM30P-66P |
| 250-0241-0 | TC2-TM20P/30P-88P | TM30P-88P |