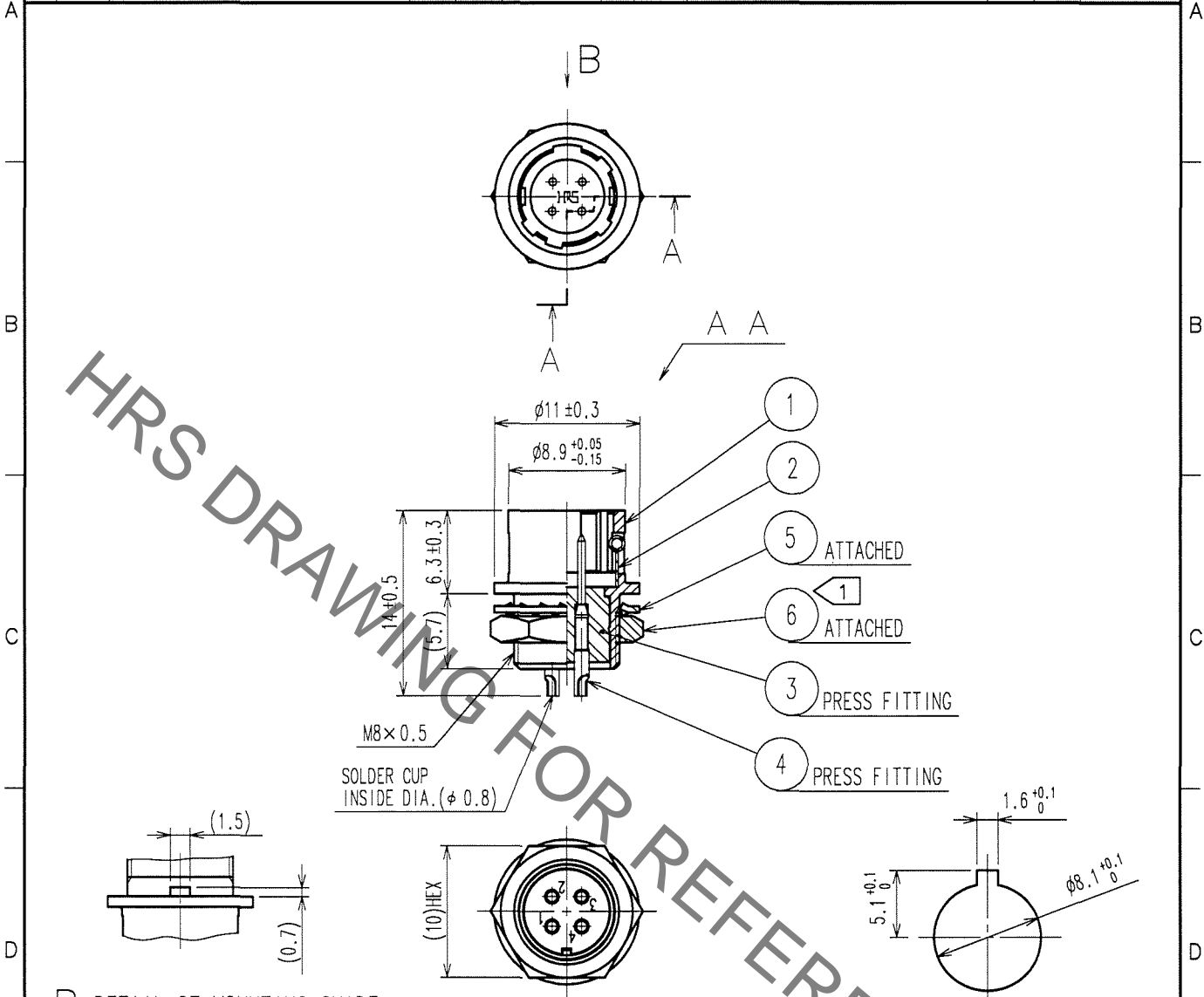


May.1.2021 Copyright 2021 HIROSE ELECTRIC CO., LTD. All Rights Reserved.
In case of consideration for using Automotive equipment / device which demand high reliability, kindly contact our sales window correspondents.

1		2			3			4		
COUNT	DESCRIPTION OF REVISIONS	BY	CHKD	DATE	COUNT	DESCRIPTION OF REVISIONS	BY	CHKD	DATE	
△					△					
△					△					
△					△					



B DETAIL OF MOUNTING GUIDE

PANEL CUTOUT
t = 0.7~2

NOTE 1 THE RECOMMENDED CLAMP TORQUE OF REF. NO. ⑥ TO BE 1.5 N · m.
LOCTITE 242, HENKEL JAPAN OR EQUIVALENT IS RECOMMENDED TO
PREVENT REF. NO. ⑥ FROM LOOSENING.

NO.	MATERIAL	FINISH, REMARKS	NO.	MATERIAL	FINISH, REMARKS
3	POLYAMIDE	(BLUE)	6	BRASS	NICKEL PLATING
2	STAINLESS STEEL		5	PHOSPHOR BRONZE	NICKEL PLATING
1	ZINC ALLOY	MATTE FINISH NICKEL PLATED	4	BRASS	GOLD PLATING 0.2μ m min. NICKEL UNDER PLATING 2μ m min.

CODE NO. (OLD) CL	DRAWN D. Matsume '05.11.19	DESIGNED D. Matsume '05.11.19	CHECKED E. Kurii '05.11.22	APPROVED M. Sato '05.11.24	RELEASED
----------------------	----------------------------------	-------------------------------------	----------------------------------	----------------------------------	----------

SCALE 2 : 1	DRAWING NO. EDC4-007767-73	PART NO. HR10-7R-4P(73)
UNITS mm	HRS HIROSE ELECTRIC CO., LTD.	CODE NO. CL110-0032-2-73

TO
R