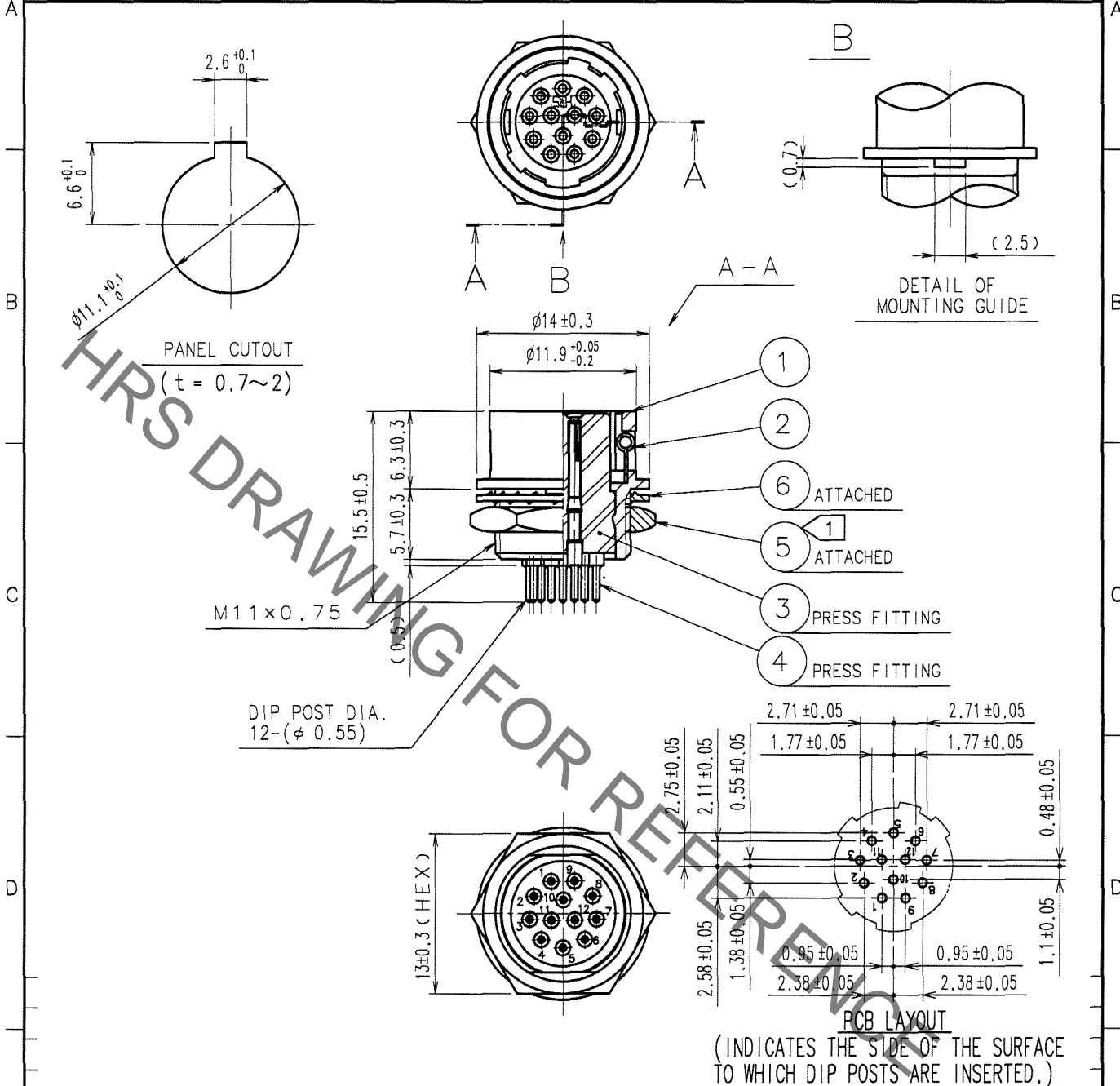


May.1.2021 Copyright 2021 HIROSE ELECTRIC CO., LTD. All Rights Reserved.  
In case of consideration for using Automotive equipment / device which demand high reliability, kindly contact our sales window correspondents.

1		2			3			4		
COUNT	DESCRIPTION OF REVISIONS	BY	CHKD	DATE	COUNT	DESCRIPTION OF REVISIONS	BY	CHKD	DATE	
△					△					
△					△					
△					△					



NOTE ① THE RECOMMENDED CLAMP TORQUE OF REF. NO. ⑤ TO BE 1.5 N · m.  
 LOCTITE 242, HENKEL JAPAN OR EQUIVALENT IS RECOMMENDED TO  
 PREVENT REF. NO. ⑤ FROM LOOSENING.

3	POLYAMIDE	(BLACK) UL94V-0	6	PHOSPHOR BRONZE	NICKEL PLATING
2	STAINLESS STEEL		5	BRASS	NICKEL PLATING
1	ZINC ALLOY	MATTE FINISH NICKEL PLATED	4	BERYLLIUM COPPER	GOLD PLATING 0.2μm min. NICKEL UNDER PLATING 2μm min.
NO.	MATERIAL	FINISH, REMARKS	NO.	MATERIAL	FINISH, REMARKS

CODE NO. (OLD)	DRAWN	DESIGNED	CHECKED	APPROVED	RELEASED
CL	D. Matsume	D. Matsume	E. Kurii	M. Sato	
	05.11.14	05.11.14	05.11.14	05.11.15	

 SCALE 2 : 1 UNITS mm	DRAWING NO. EDC4-009047-73 HIROSE ELECTRIC CO., LTD.	PART NO. HR10-10R-12SA(73) CODE NO. CL110-0049-5-73	1 1
-----------------------------------	--	--	--------