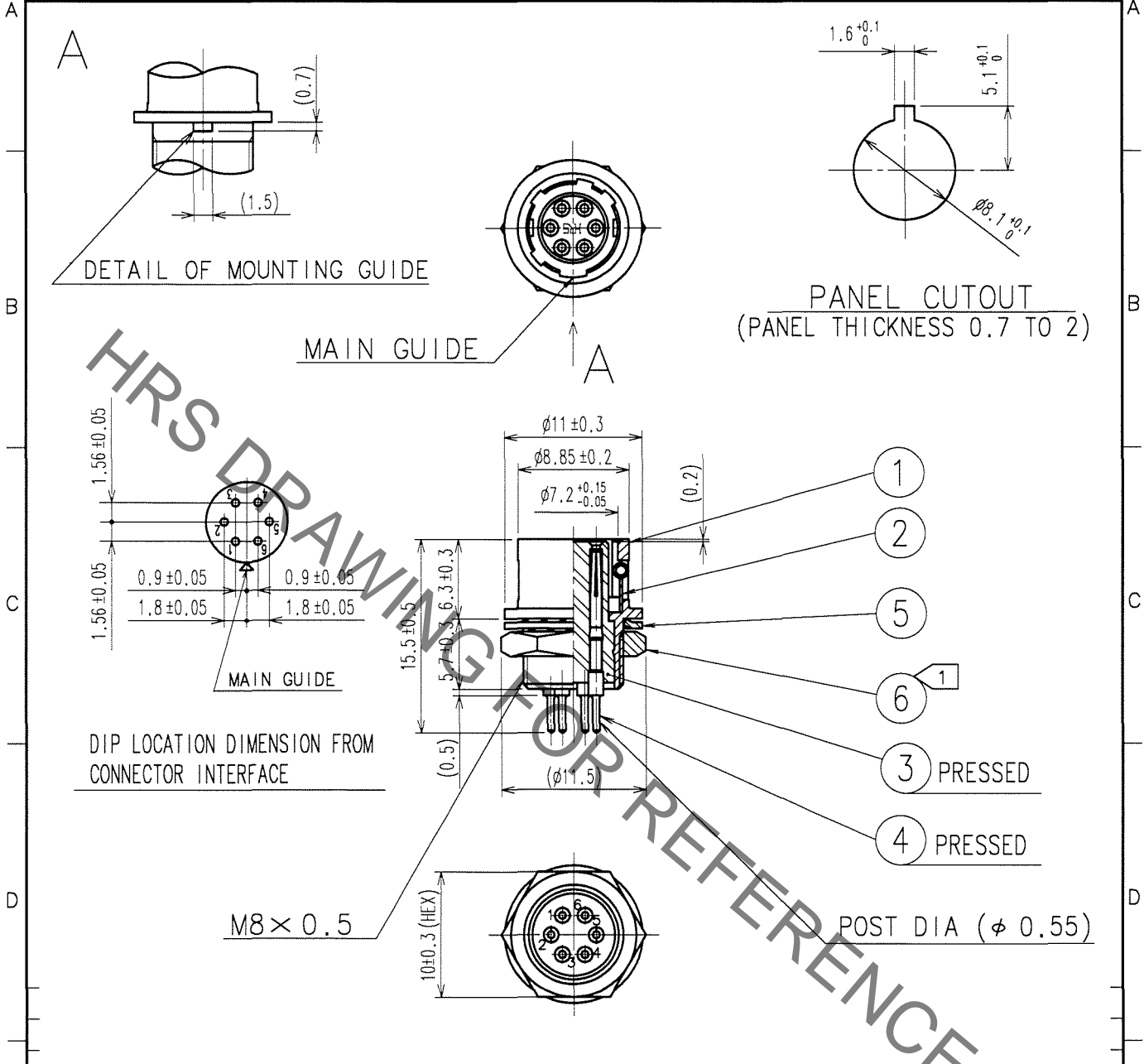


Nov.1.2021 Copyright 2021 HIROSE ELECTRIC CO., LTD. All Rights Reserved.
In case of consideration for using Automotive equipment / device which demand high reliability, kindly contact our sales window correspondents.

1		2		3		4			
COUNT	DESCRIPTION OF REVISIONS	BY	CHKD	DATE	COUNT	DESCRIPTION OF REVISIONS	BY	CHKD	DATE
△					△				
△					△				
△					△				



NOTE: 1 THE RECOMMENDED CLAMP TORQUE OF REF.NO.⑥: 1.5N·m
LOCTITE 242, LOCTITE OR EQUIVALENT IS RECOMMENDED TO PREVENT REF.NO.⑥ FROM LOOSENING.

3	POLYAMIDE	(BLACK) UL94V-1	6	BRASS	NICKEL PLATED
2	STAINLESS STEEL		5	PHOSPHOR BRONZE	NICKEL PLATED
1	ZINC ALLOY	MATTE FINISH NICKEL PLATED	4	BERYLLIUM COPPER	GOLD PLATED 0.2μm MIN
NO.	MATERIAL	FINISH, REMARKS	NO.	MATERIAL	FINISH, REMARKS

CODE NO. (OLD)	DRAWN	DESIGNED	CHECKED	APPROVED	RELEASED
	<i>J. Horii</i>	<i>J. Horii</i>	/	<i>M. Sato</i>	
	<i>06.07.26</i>	<i>06.07.26</i>	/	<i>06.07.26</i>	

SCALE	DRAWING NO.	PART NO.
2 : 1	EDC4-009048-73	HR10-7R-6SA(73)
UNITS	CODE NO.	
mm	CL110-0050-4-73	1/1

TO
R