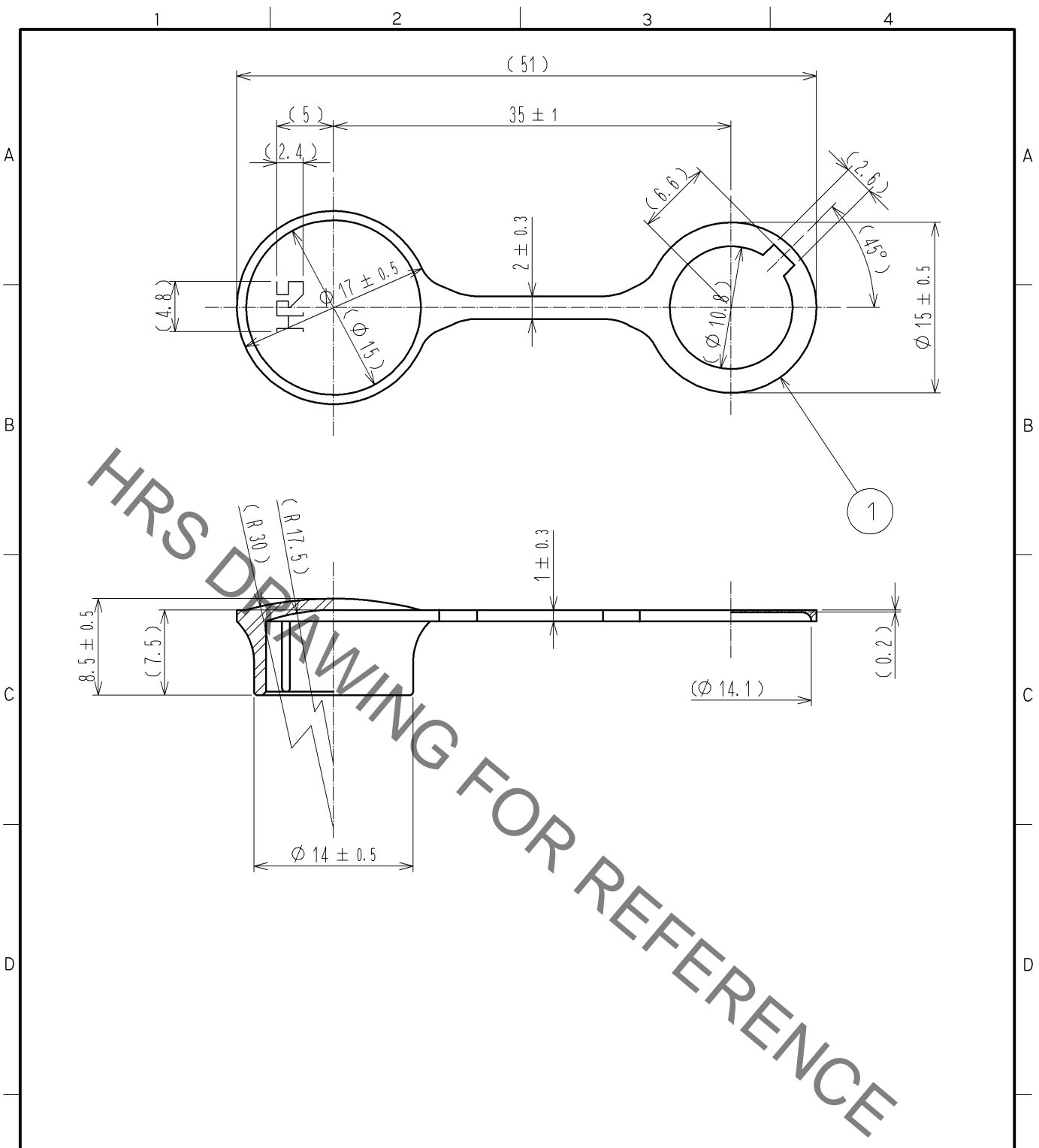


May.1.2021 Copyright 2021 HIROSE ELECTRIC CO., LTD. All Rights Reserved.
 In case of consideration for using Automotive equipment / device which demand high reliability, kindly contact our sales window correspondents.



- NOTES
- 1 THIS PRODUCT SHALL BE MATED WITH HR10-10R-10S(CCL110-0035-0).
 - 2 THE RETENTION FORCE SHALL BE MORETHAN 0.2N · m WHEN THIS CONNECTOR INSERT INTO THE APPLICABLE GAUGE. $\phi 11.775 \begin{matrix} -0.002 \\ -0.005 \end{matrix}$.
 - 3 THIS PRODUCT IS A CAP FOR HR10※-10R-※(※), HR10※-10J-※(※). IT IS APPLICABLE REGARDLESS OF GIVEN ALPHABETS OR NUMBERS SHOWN AT ※.

1	POLYPROPYLENE	(BLACK) UL94V-0						
NO.	MATERIAL	FINISH .	REMARKS	NO.	MATERIAL	FINISH .	REMARKS	
UNITS mm		SCALE 2 : 1	COUNT 1	DESCRIPTION OF REVISIONS DIS-C-002996		DESIGNED HK. NAMAI	CHECKED HY. KISHI	DATE 13. 04. 10
HIROSE ELECTRIC CO., LTD.		APPROVED : MR. YOSHIDA		05. 01. 05	DRAWING NO. EDC4-009348-00			
		CHECKED : MO. SATOH		05. 01. 05	PART NO. HR10-10R-C			
		DESIGNED : YH. YAMADA		05. 01. 05	CODE NO. CL110-0052-0-00			
		DRAWN : YH. YAMADA		05. 01. 05	1/1			