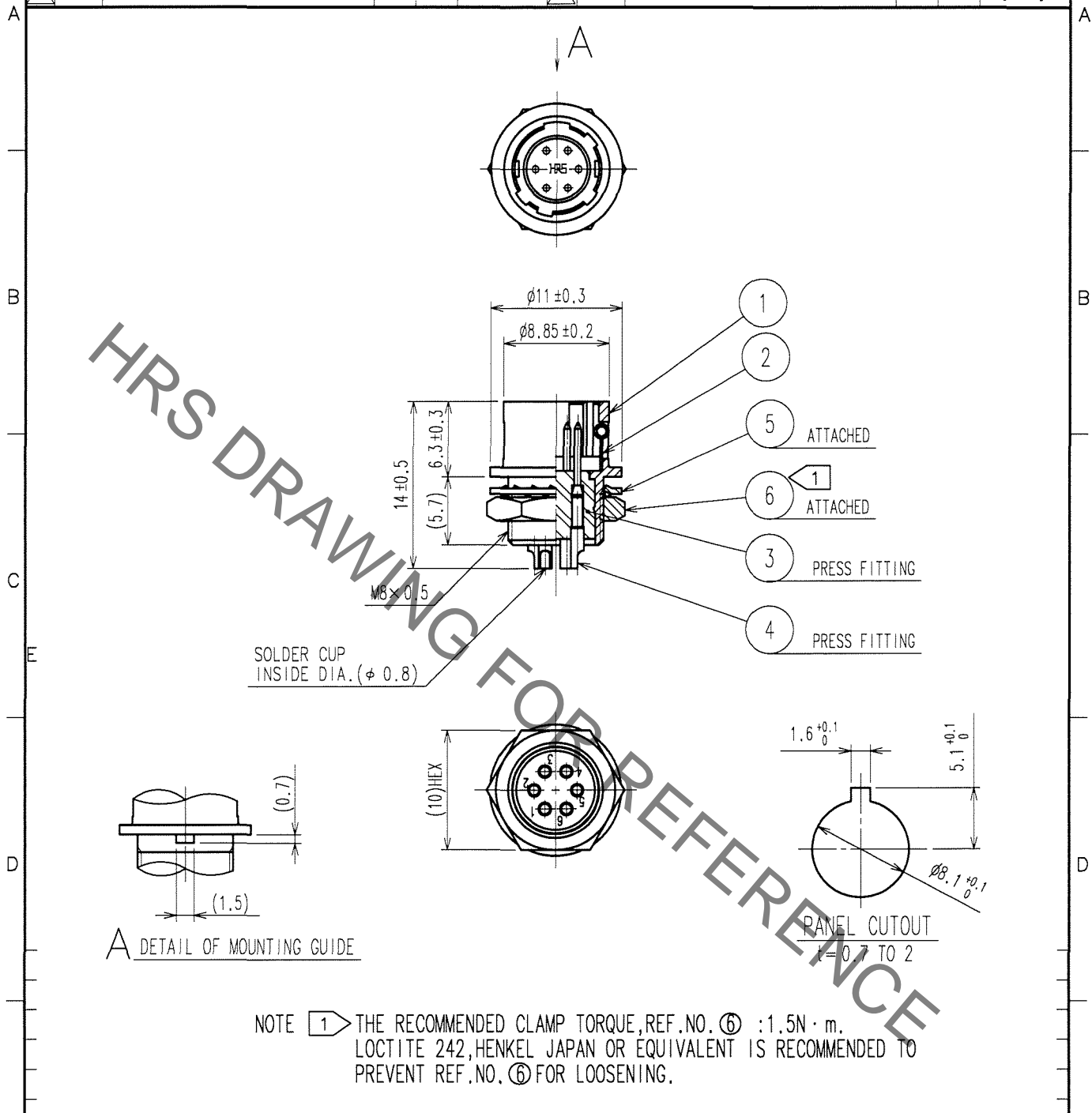


Nov.1.2021 Copyright 2021 HIROSE ELECTRIC CO., LTD. All Rights Reserved.
 In case of consideration for using Automotive equipment / device which demand high reliability, kindly contact our sales window correspondents.

1			2			3			4					
COUNT	DESCRIPTION OF REVISIONS	BY	CHKD	DATE	COUNT	DESCRIPTION OF REVISIONS	BY	CHKD	DATE	COUNT	DESCRIPTION OF REVISIONS	BY	CHKD	DATE
△					△					△				
△					△					△				
△					△					△				



NO.	MATERIAL	FINISH, REMARKS	NO.	MATERIAL	FINISH, REMARKS
3	POLYAMIDE	(BLACK) UL94V-0	6	BRASS	NICKLE PLATING
2	STAINLESS STEEL		5	PHOSPHOR BRONZE	NICKEL PLATING
1	ZINC ALLOY	MATTE FINISH NICKEL PLATED	4	BRASS	OVER PLATING: GOLD 0.2 μ m min. UNDER PLATING: NICKEL 2 μ m min.

CODE NO. (OLD) CL		DRAWN <i>M. Sato</i> 07.03.07	DESIGNED <i>J. Morii</i> 07.03.06	CHECKED <i>M. Sato</i> 07.03.07	APPROVED <i>M. Sato</i> 07.03.07	RELEASED
DRAWING NO. EDC4-020541-74		PART NO. HR10A-7R-6P(74)				
SCALE 2 : 1		CODE NO. CL110-0308-1-74				1/1
UNITS mm		HRS HIROSE ELECTRIC CO., LTD.				

TO
R