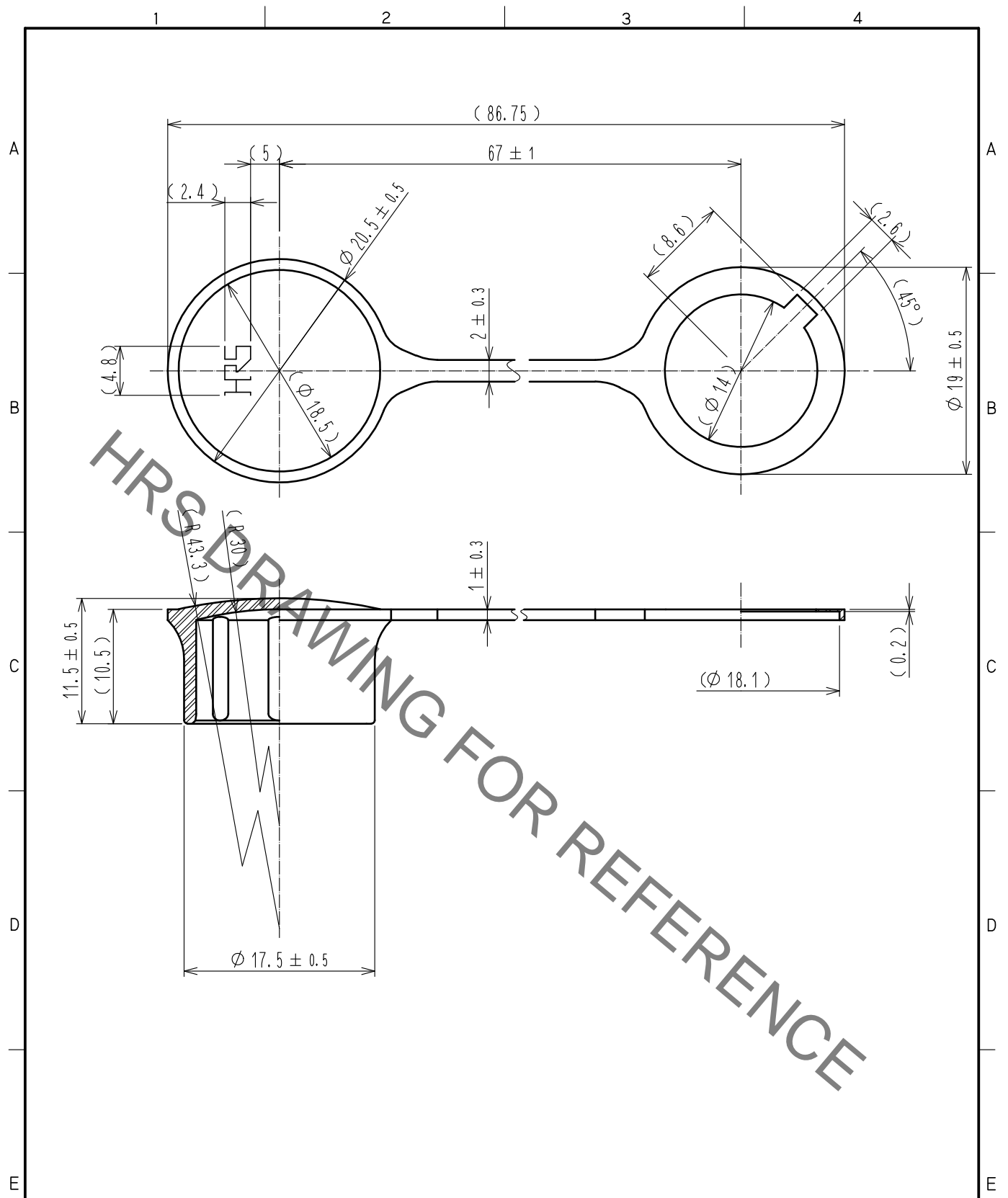


Jan.1.2022 Copyright 2022 HIROSE ELECTRIC CO., LTD. All Rights Reserved.  
 In case of consideration for using Automotive equipment / device which demand high reliability, kindly contact our sales window correspondents.



Note 1 This product is a cap for HR10A-13R-\*(\*), HR10A-13J-\*(\*).  
 It is applicable regardless of given alphabets or numbers shown at \*.

1	Polypropylene	(Black) UL94V-0						
NO.	MATERIAL	FINISH .	REMARKS	NO.	MATERIAL	FINISH .	REMARKS	
UNITS mm		SCALE 2 : 1	COUNT 	DESCRIPTION OF REVISIONS		DESIGNED	CHECKED	DATE
HIROSE ELECTRIC CO., LTD.		APPROVED :EJ. KUNII	15.09.29	DRAWING NO.		EDC-042417-00-00		
		CHECKED :EJ. KUNII	15.09.29	PART NO.		HR10A-13R-C		
		DESIGNED :TP. KOMATSU	15.09.29	CODE NO.		CL110-0452-8-00		
		DRAWN :TP. KOMATSU	15.09.29			1/1		