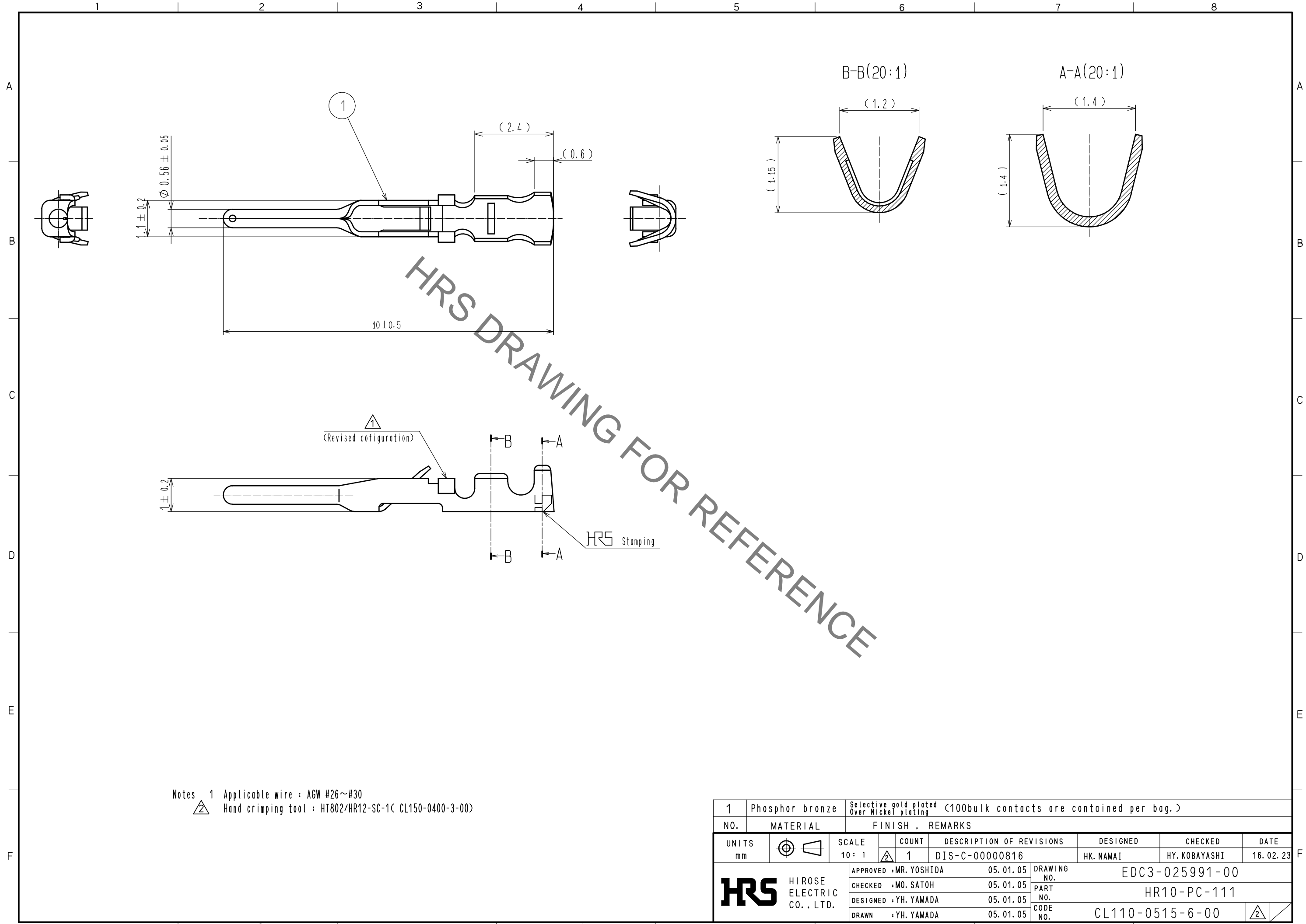


Sep.1.2021 Copyright 2021 HIROSE ELECTRIC CO., LTD. All Rights Reserved.
 In case of consideration for using Automotive equipment / device which demand high reliability, kindly contact our sales window correspondents.



HRS DRAWING FOR REFERENCE

Notes 1 Applicable wire : AGW #26~#30
 Hand crimping tool : HT802/HR12-SC-1(CL150-0400-3-00)

1	Phosphor bronze	Selective gold plated Over Nickel plating	(<100bulk contacts are contained per bag.>)				
NO.	MATERIAL	FINISH	REMARKS				
UNITS mm		SCALE 10:1	COUNT 1	DESCRIPTION OF REVISIONS DIS-C-00000816	DESIGNED HK. NAMAI	CHECKED HY. KOBAYASHI	DATE 16.02.23
HRS HIROSE ELECTRIC CO., LTD.		APPROVED : MR. YOSHIDA	05.01.05	DRAWING NO. EDC3-025991-00			
		CHECKED : MO. SATOH	05.01.05	PART NO. HR10-PC-111			
		DESIGNED : YH. YAMADA	05.01.05	CODE NO. CL110-0515-6-00			
		DRAWN : YH. YAMADA	05.01.05				