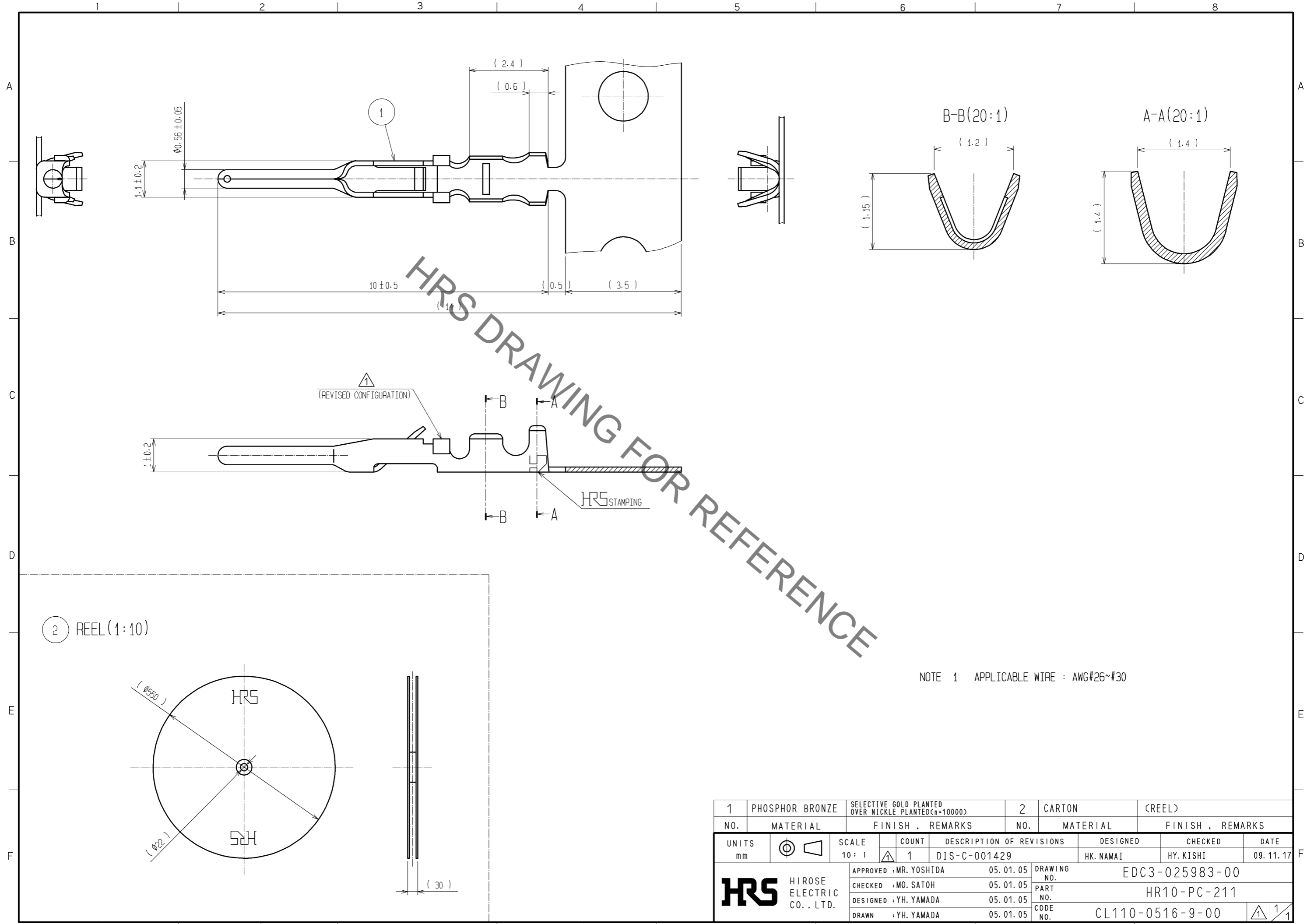


Sep.1.2021 Copyright 2021 HIROSE ELECTRIC CO., LTD. All Rights Reserved.
 In case of consideration for using Automotive equipment / device which demand high reliability, kindly contact our sales window correspondents.



NOTE 1 APPLICABLE WIRE : AWG#26~#30

1	PHOSPHOR BRONZE	SELECTIVE GOLD PLANTED OVER NICKLE PLANTED($n=10000$)	2	CARTON	(REEL)
NO.	MATERIAL	FINISH . REMARKS	NO.	MATERIAL	FINISH . REMARKS
UNITS mm		SCALE 10 : 1	COUNT 1	DESCRIPTION OF REVISIONS DIS-C-001429	DESIGNED HK. NAMAI
				APPROVED : MR. YOSHIDA	05. 01. 05
				CHECKED : MO. SATOH	05. 01. 05
				DESIGNED : YH. YAMADA	05. 01. 05
				DRAWN : YH. YAMADA	05. 01. 05
				DRAWING NO.	EDC3-025983-00
				PART NO.	HR10-PC-211
				CODE NO.	CL110-0516-9-00
					1/1