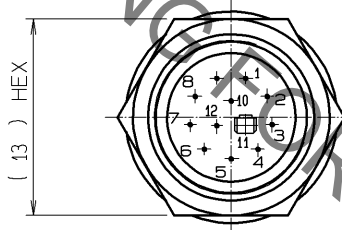
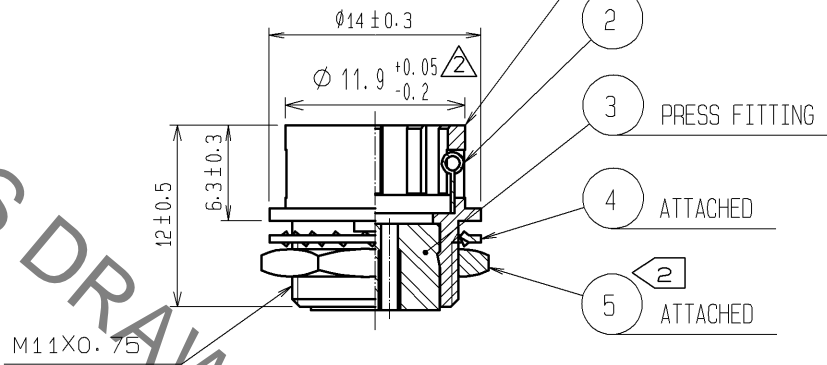
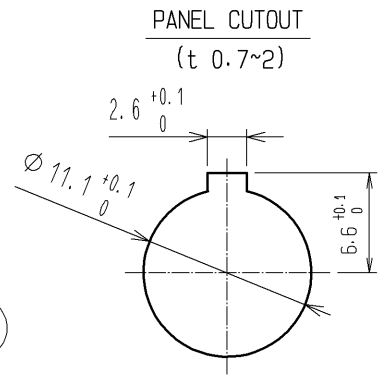
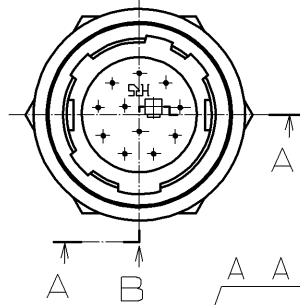
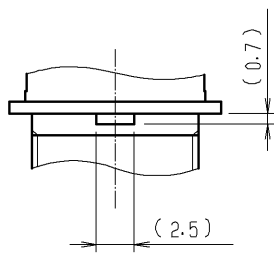


Nov.1.2021 Copyright 2021 HIROSE ELECTRIC CO., LTD. All Rights Reserved.
In case of consideration for using Automotive equipment / device which demand high reliability, kindly contact our sales window correspondents.

B DETAIL OF MOUNTING GUIDE



NOTES 1 APPLICABLE CRIMP CONTACT: HR10-PC-212(CL110-0514-3)
(AWG#26 TO #30, INSULATION OUTER DIA $\phi 1$ MAX)
EXTRACTION TOOL: RP6-SC-TP(CL150-0039-0)
① ② THE RECOMMENDED CLAMP TORQUE OF REF. NO. ⑤ : 2N·m
LOCTITE 243, HENKEL JAPAN OR EQUIVALENT IS RECOMMENDED TO
PREVENT REF. NO. ⑤ FROM LOOSENING.

NO.	MATERIAL	FINISH, REMARKS	NO.	MATERIAL	FINISH, REMARKS
3	POLYBUTYLENE TEREPHTHALATE	(BLACK) UL94V-0			
2	STAINLESS STEEL		5	BRASS ①	NICKEL PLATING
1	ZINC ALLOY	MATTE FINISH NICKEL PLATED	4	PHOSPHOR BRONZE	NICKEL PLATING

UNITS	SCALE	COUNT	DESCRIPTION OF REVISIONS	DESIGNED	CHECKED	DATE
mm	2 : 1	② 2	DIS-C-003736	HR. SATO	HY. KISHI	14. 11. 25

HRS HIROSE ELECTRIC CO., LTD.	APPROVED : MO. SATOH	06. 09. 13	DRAWING NO.	EDC4-025181-71
	CHECKED : EJ. KUNII	06. 09. 11	PART NO.	HR10A-10R-12PC(71)
	DESIGNED : TP. KOMATSU	06. 09. 07	CODE NO.	CL110-0607-2-71
	DRAWN : TP. KOMATSU	06. 09. 07		①/1