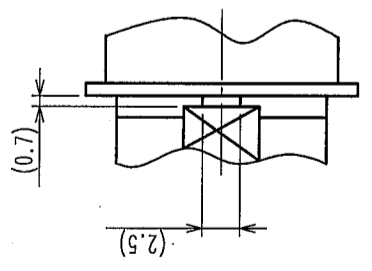
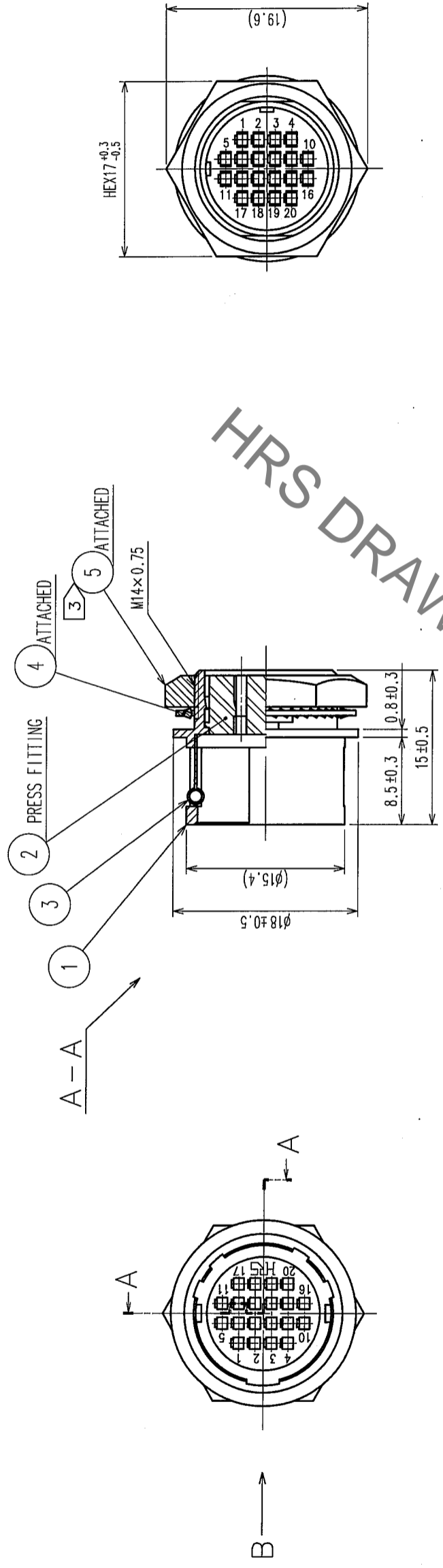
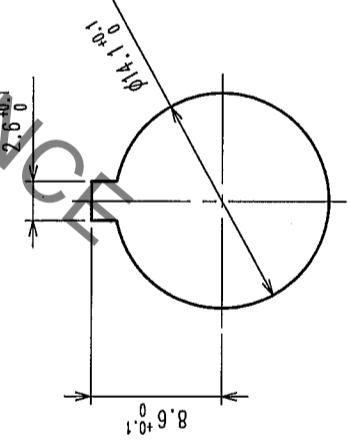
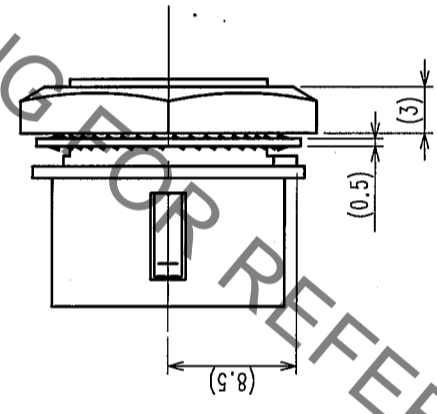


COUNT	DESCRIPTION OF REVISIONS	BY	CHKD	DATE	COUNT	DESCRIPTION OF REVISIONS	BY	CHKD	DATE
△					△				
△					△				
△					△				



B DETAIL OF MOUNTING GUIDE



NOTE 1 APPLICABLE CONTACT : HR10-PC-212(CL110-0514-3)  
 APPLICABLE WIRE : AWG#26~30 C INSULATOR OUTER DIA. OF  $\phi$  1 OR LESS)  
 2 APPLICABLE TOOL, EXTRACTOR : RP6-SC-TP(CL150-0039-0)  
 3 THE RECOMMENDED CLAMP TORQUE OF REF. NO. ⑤ : 2-2.5N · m.  
 LOCTITE 242, HENKEL JAPAN OR EQUIVALENT IS RECOMMENDED TO PREVENT REF. NO. ⑤ FROM LOOSENING.

3	STAINLESS STEEL									
2	PBT	(BLACK) UL94V-0	5	PHOSPHOR BRONZE	NICKEL PLATING					
1	ZINC ALLOY	MATTE FINISH NICKEL PLATED	4	BRASS	NICKEL PLATING					
NO.	MATERIAL	FINISH, REMARKS	NO.	MATERIAL	FINISH, REMARKS					
CODE NO. (COLD)						DRAWN	DESIGNED	CHECKED	APPROVED	RELEASED
						<i>D. Matsumoto</i>	<i>D. Matsumoto</i>	<i>E. Kurumi</i>	<i>M. Sa To</i>	
						05-10-12	05-10-12	05-10-13	05-10-14	
DRAWING NO.						PART NO.				
EDC3-027149-73						HR10A-13R-20PC(73)				
SCALE						UNITS				
2 : 1						mm				
HRS						HIROSE ELECTRIC CO., LTD.				
CL110-0704-9-73						CL110-0704-9-73				
1						1				

TO  
R