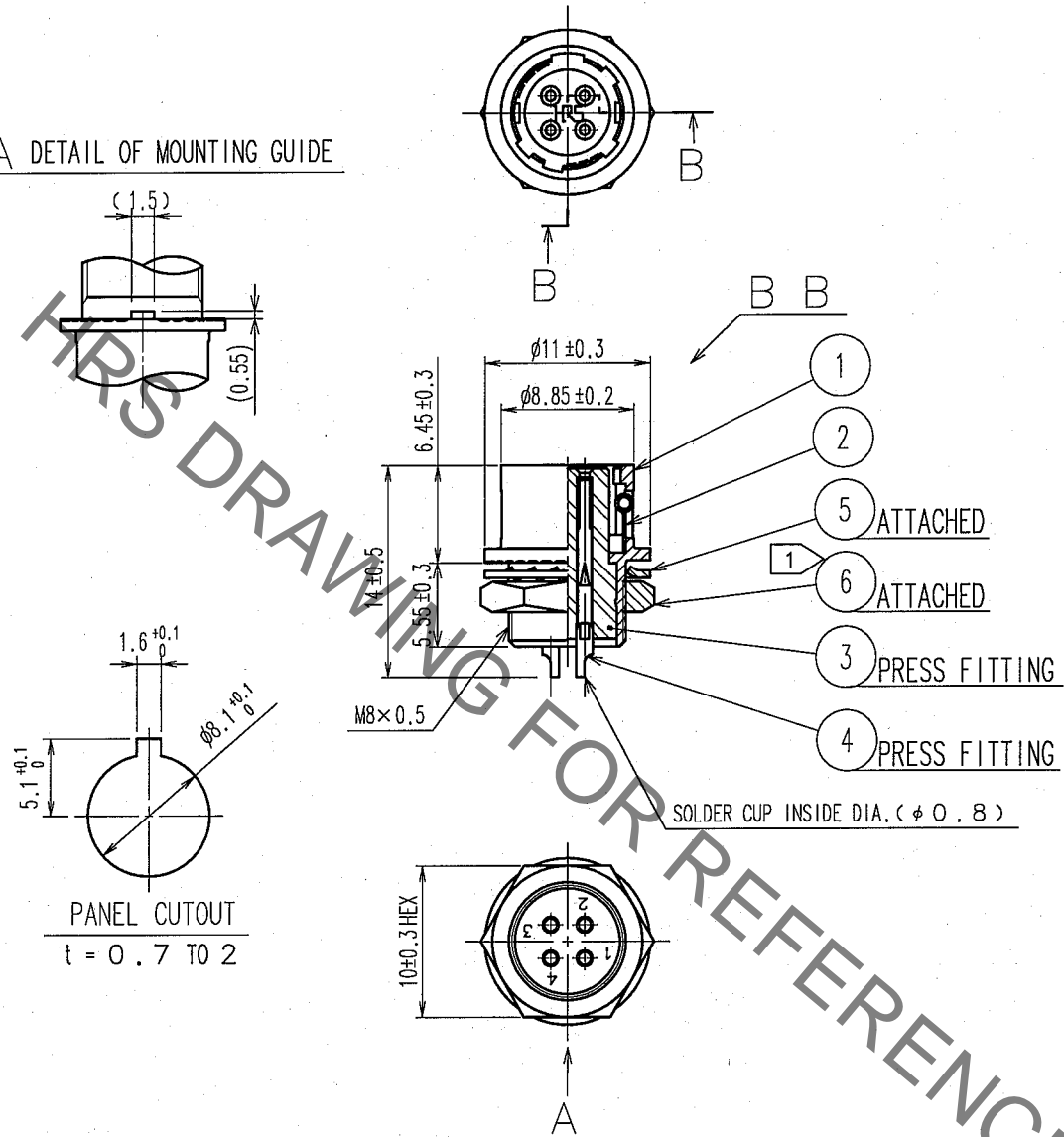


Jan.1.2022 Copyright 2022 HIROSE ELECTRIC CO., LTD. All Rights Reserved.  
In case of consideration for using Automotive equipment / device which demand high reliability, kindly contact our sales window correspondents.

1			2			3			4					
COUNT	DESCRIPTION OF REVISIONS	BY	CHKD	DATE	COUNT	DESCRIPTION OF REVISIONS	BY	CHKD	DATE	COUNT	DESCRIPTION OF REVISIONS	BY	CHKD	DATE
△					△					△				
△					△					△				
△					△					△				

A DETAIL OF MOUNTING GUIDE



NOTE ① THE RECOMMENDED CLAMP TORQUE OF REF.NO.⑥ : 1.5N · m.  
LOCTITE 242, HENKEL JAPAN OR EQUIVALENT IS RECOMMENDED TO PREVENT  
REF.NO.⑥ FROM LOOSENING.

3	POLYAMIDE	(BLACK) UL94V-0	6	BRASS	NICKEL PLATING
2	STAINLESS STEEL		5	PHOSPHOR BRONZE	NICKEL PLATING
1	ZINC ALLOY	MATTE FINISH NICKEL PLATED	4	PHOSPHOR BRONZE	SILVER PLATING 2μ m min
NO.	MATERIAL	FINISH, REMARKS	NO.	MATERIAL	FINISH, REMARKS

CODE NO. (OLD)	CL	DRAWN	DESIGNED	CHECKED	APPROVED	RELEASED
		J. Moroi	J. Moroi	E. Kunii	M. Sato	
		06.09.21	06.09.21	06.09.21	06.09.21	

SCALE	DRAWING NO.	PART NO.
2 : 1	EDC4-042704-73	HR10G-7R-4S(73)
UNITS	CODE NO.	
mm	CL110-1601-1-73	1/1

TO
R