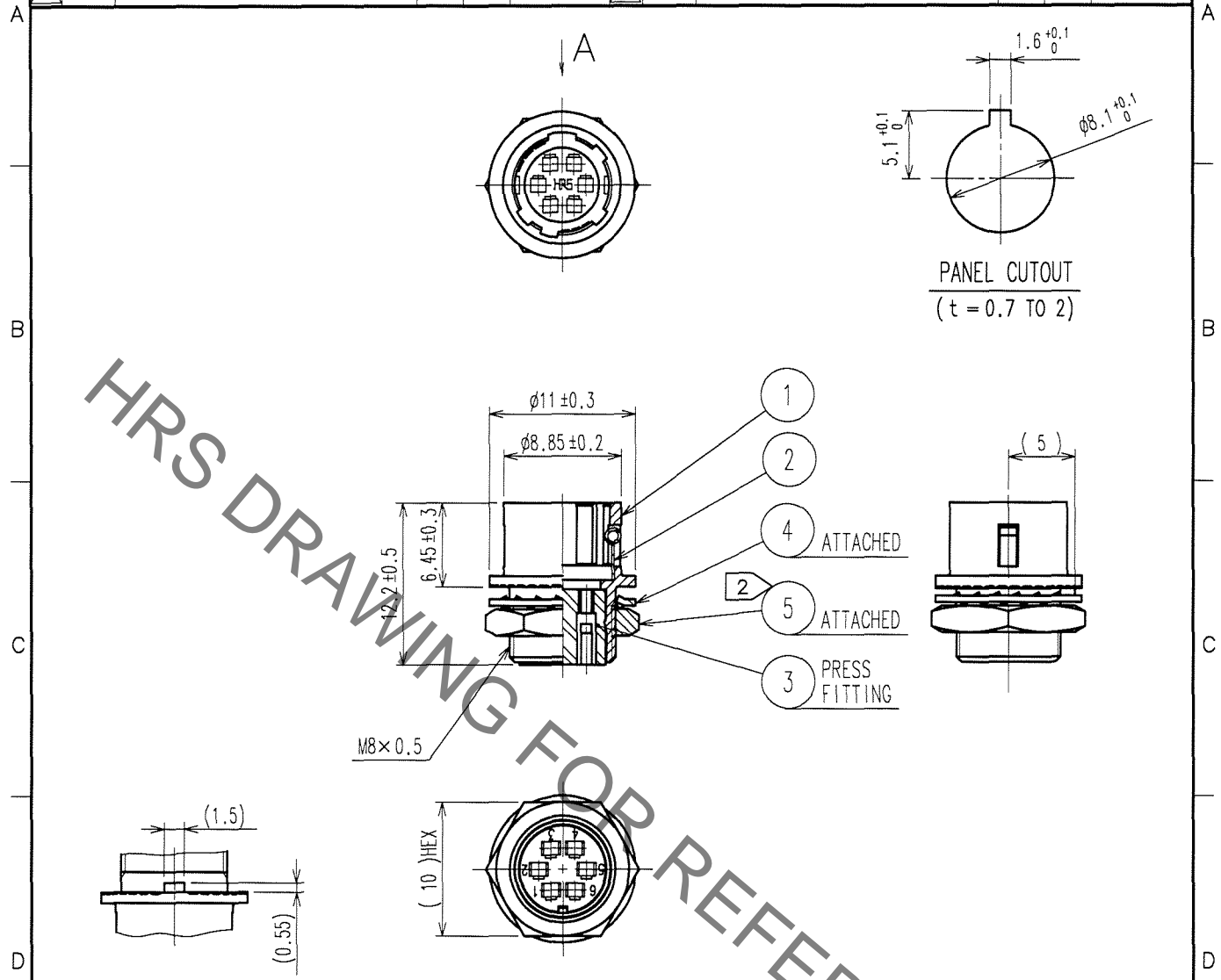


Nov.1.2021 Copyright 2021 HIROSE ELECTRIC CO., LTD. All Rights Reserved. In case of consideration for using Automotive equipment / device which demand high reliability, kindly contact our sales window correspondents.

1		2			3			4		
COUNT	DESCRIPTION OF REVISIONS	BY	CHKD	DATE	COUNT	DESCRIPTION OF REVISIONS	BY	CHKD	DATE	
△					△					
△					△					
△					△					



A DETAIL OF MOUNTING GUIDE

NOTES 1 APPLICABLE CRIMP CONTACT:HR10-PC-212(CL110-0514-3)
 APPLICABLE WIRE:AWG#26 TO #30(COVERED WIRE MAX,OUTSIDE DIA.φ1)
 APPLICABLE CONTACT REMOVAL TOOL(EXTRACTION TOOL):RP6-SC-TP(CL150-0039-0)
 2 THE RECOMMENDED CLAMP TORQUE OF REF. NO. ⑤ TO BE 1.5 N·m.
 LOCTITE 242, HENKEL JAPAN OR EQUIVALENT IS RECOMMENDED TO PREVENT REF. NO. ⑤ FROM LOOSENING.

NO.	MATERIAL	FINISH, REMARKS	NO.	MATERIAL	FINISH, REMARKS
3	POLYBUTYLENE TEREPHTHALATE	(BLACK) UL94V-0	5	BRASS	NICKEL PLATING
2	STAINLESS STEEL		4	PHOSPHOR BRONZE	NICKEL PLATING
1	ZINC ALLOY	MATTE FINISH NICKEL PLATED			

CODE NO. (OLD)	DRAWN	DESIGNED	CHECKED	APPROVED	RELEASED
CL	<i>M. Sato</i>	<i>T. Hosoi</i>	<i>E. Kunita</i>	<i>M. Sato</i>	
	07.04.11	07.04.11	07.04.11	07.04.11	

DRAWING NO.	PART NO.
EDC4-042729-73	HR10G-7R-6PC(73)
HRS HIROSE ELECTRIC CO.,LTD.	CODE NO. CL110-1706-0-73

TO
R