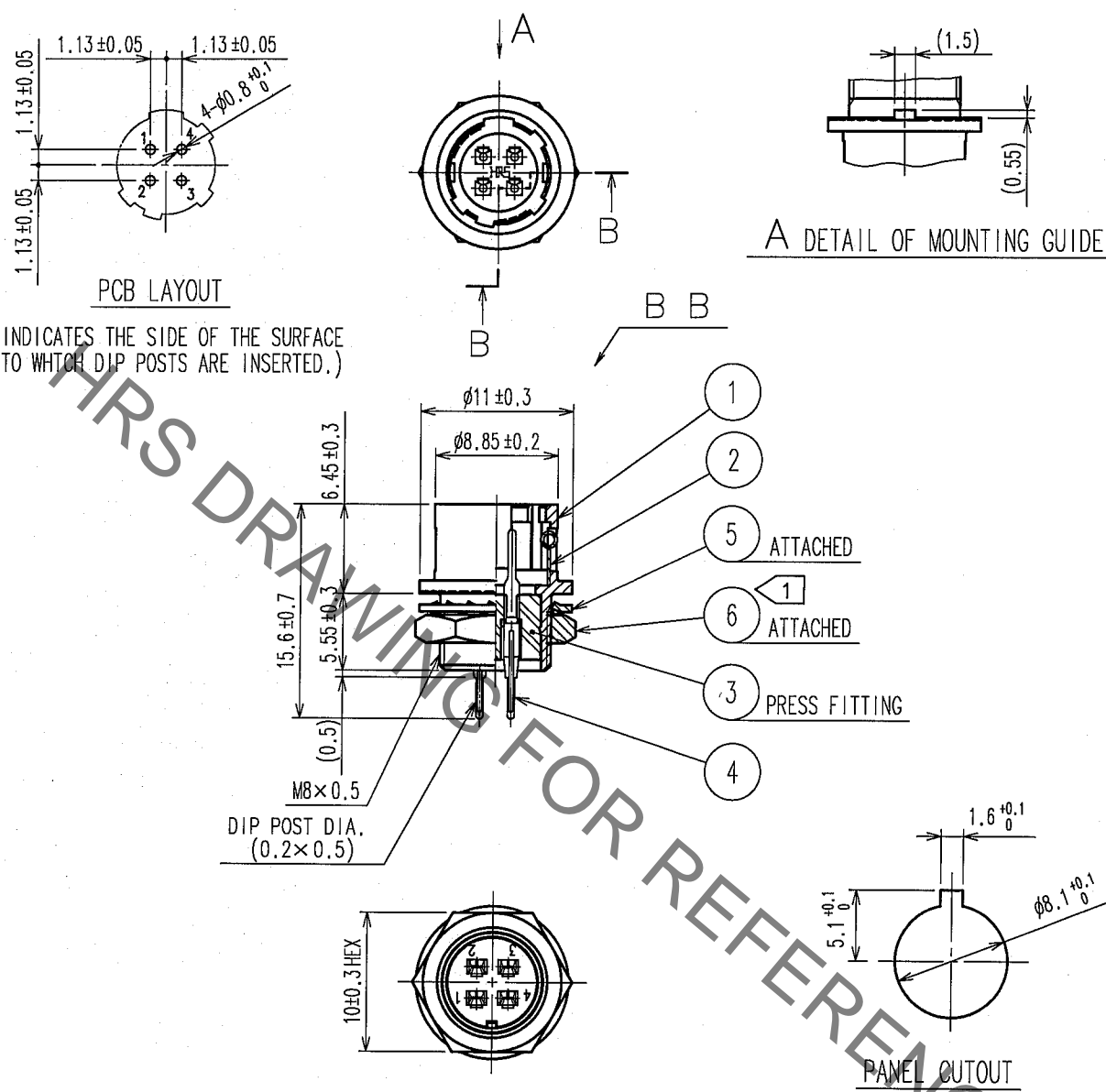


Jan.1.2022 Copyright 2022 HIROSE ELECTRIC CO., LTD. All Rights Reserved.
 In case of consideration for using Automotive equipment / device which demand high reliability, kindly contact our sales window correspondents.

1		2			3			4		
COUNT	DESCRIPTION OF REVISIONS	BY	CHKD	DATE	COUNT	DESCRIPTION OF REVISIONS	BY	CHKD	DATE	
△					△					
△					△					
△					△					



NOTE ① THE RECOMMENDED CLAMP TORQUE OF REF.NO. ⑥ : 1.5N · m.
 LOCTITE 242, HENKEL JAPAN OR EQUIVALENT IS RECOMMENDED TO PREVENT
 REF. NO. ⑥ FROM LOOSENING.

3	PBT	(BLACK) UL94V-0	6	BRASS	NICKEL PLATING
2	STAINLESS STEEL		5	PHOSPHOR BRONZE	NICKEL PLATING
1	ZINC ALLOY	MATTE FINISH NICKEL PLATED	4	PHOSPHOR BRONZE	SILVER PLATING 2 μm min.
NO.	MATERIAL	FINISH, REMARKS	NO.	MATERIAL	FINISH, REMARKS

CODE NO. (OLD)	CL?	DRAWN	DESIGNED	CHECKED	APPROVED	RELEASED
		H.Kishi 05.08.31	H.Kishi 05.08.31	E.Kurita 05.09.02	M.Sato 05.09.02	

SCALE 2 : 1	DRAWING NO.	PART NO.
	EDC4-042749-73	HR10G-7R-4PB(73)
UNITS mm	HRS HIROSE ELECTRIC CO.,LTD.	CODE NO. CL110-1802-3-73

H
O
R