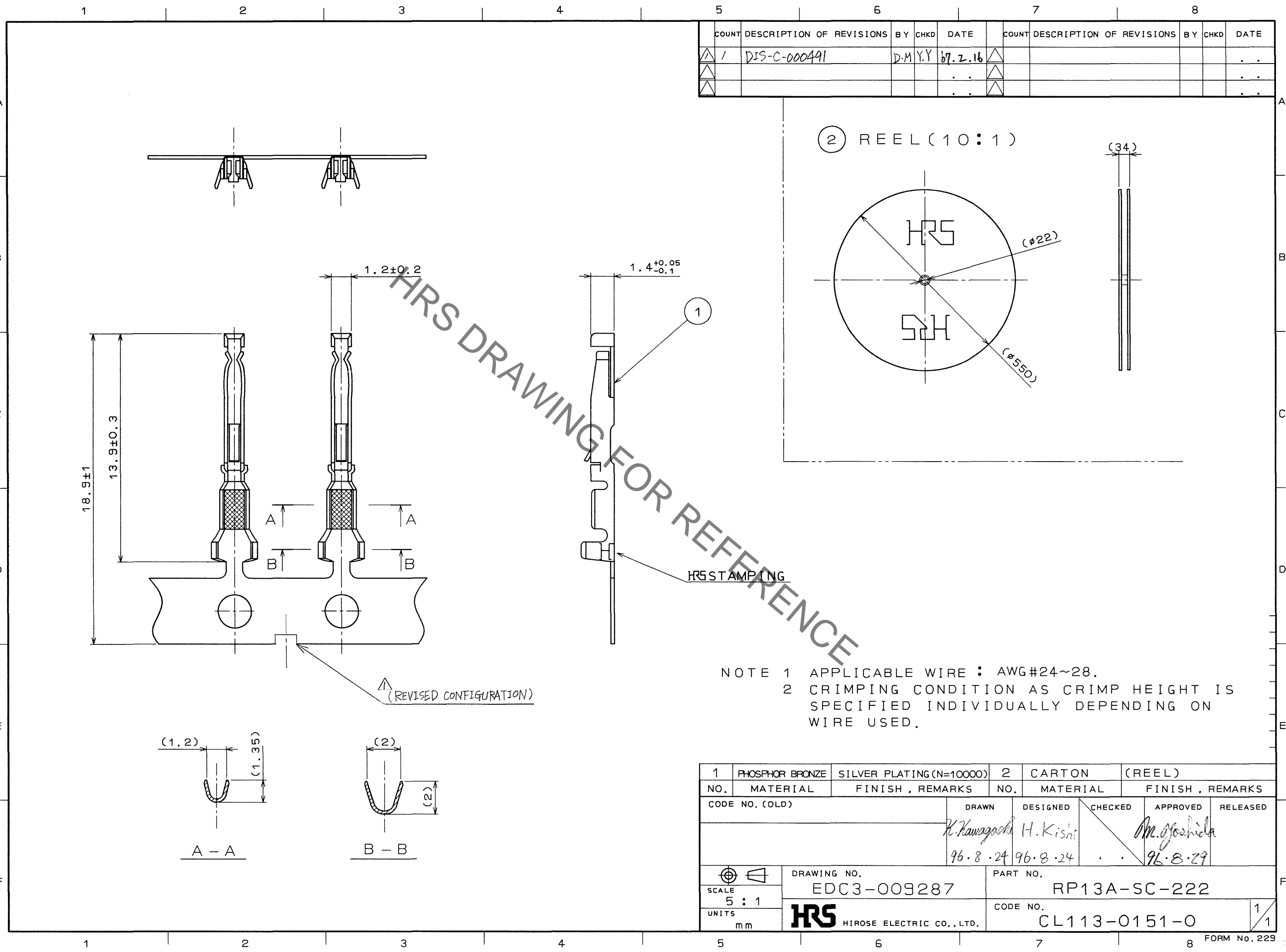
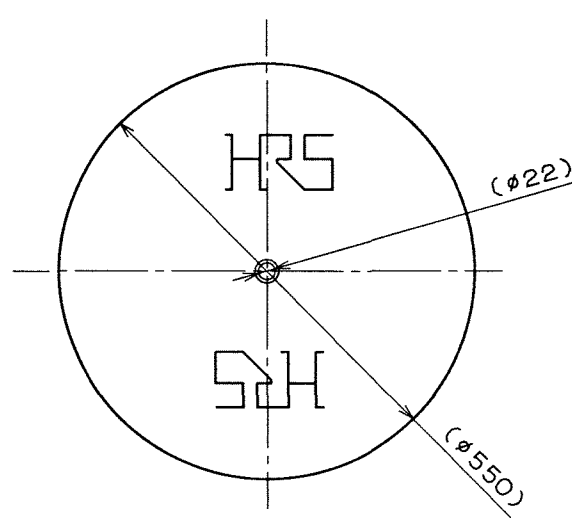


Oct.1.2021 Copyright 2021 HIROSE ELECTRIC CO., LTD. All Rights Reserved.
In case of consideration for using Automotive equipment / device which demand high reliability, kindly contact our sales window correspondents.

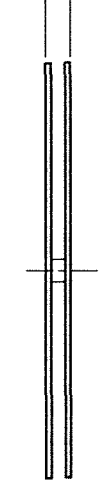


COUNT	DESCRIPTION OF REVISIONS	BY	CHKD	DATE	COUNT	DESCRIPTION OF REVISIONS	BY	CHKD	DATE
1	DIS-C-000491	D.M.Y.Y		07.2.16					

② REEL (10:1)

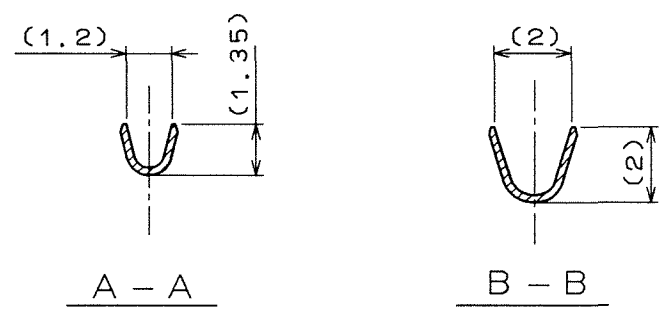
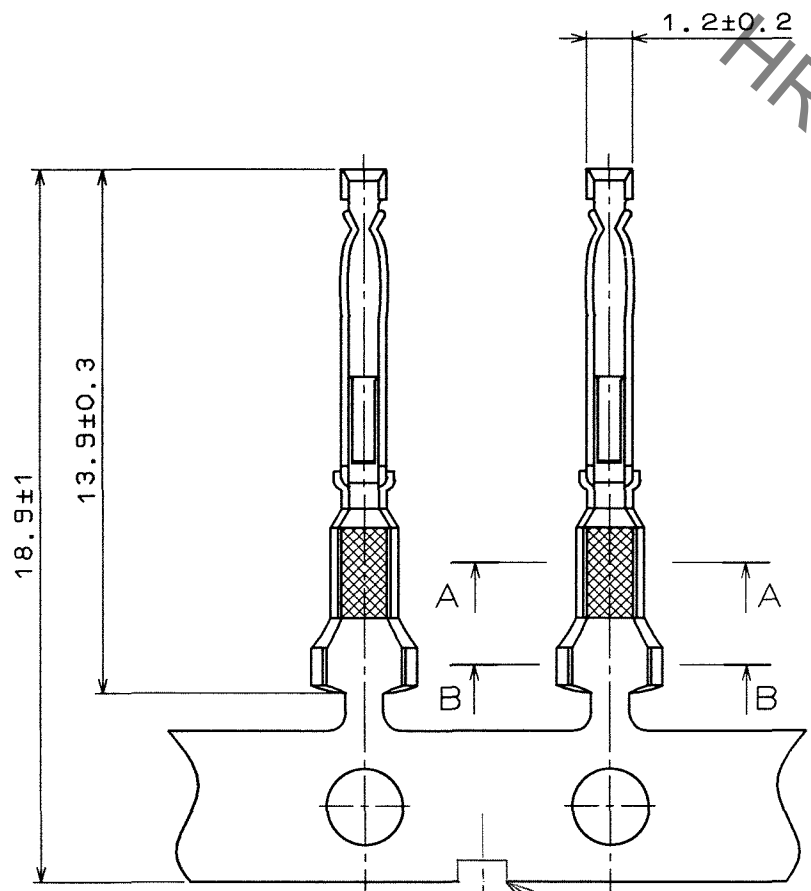


(34)



HRS STAMPING

NOTE 1 APPLICABLE WIRE : AWG#24~28.
2 CRIMPING CONDITION AS CRIMP HEIGHT IS SPECIFIED INDIVIDUALLY DEPENDING ON WIRE USED.



1	PHOSPHOR BRONZE	SILVER PLATING (N=10000)	2	CARTON	(REEL)
NO.	MATERIAL	FINISH, REMARKS	NO.	MATERIAL	FINISH, REMARKS
CODE NO. (OLD)			DRAWN	DESIGNED	CHECKED
			<i>K. Kawaguchi</i>	<i>H. Kishi</i>	<i>M. Goshida</i>
			96.8.24	96.8.24	96.8.29
DRAWING NO.			PART NO.		
EDC3-009287			RP13A-SC-222		
UNITS			CODE NO.		
mm			CL113-0151-0		
					1/1

TO
R