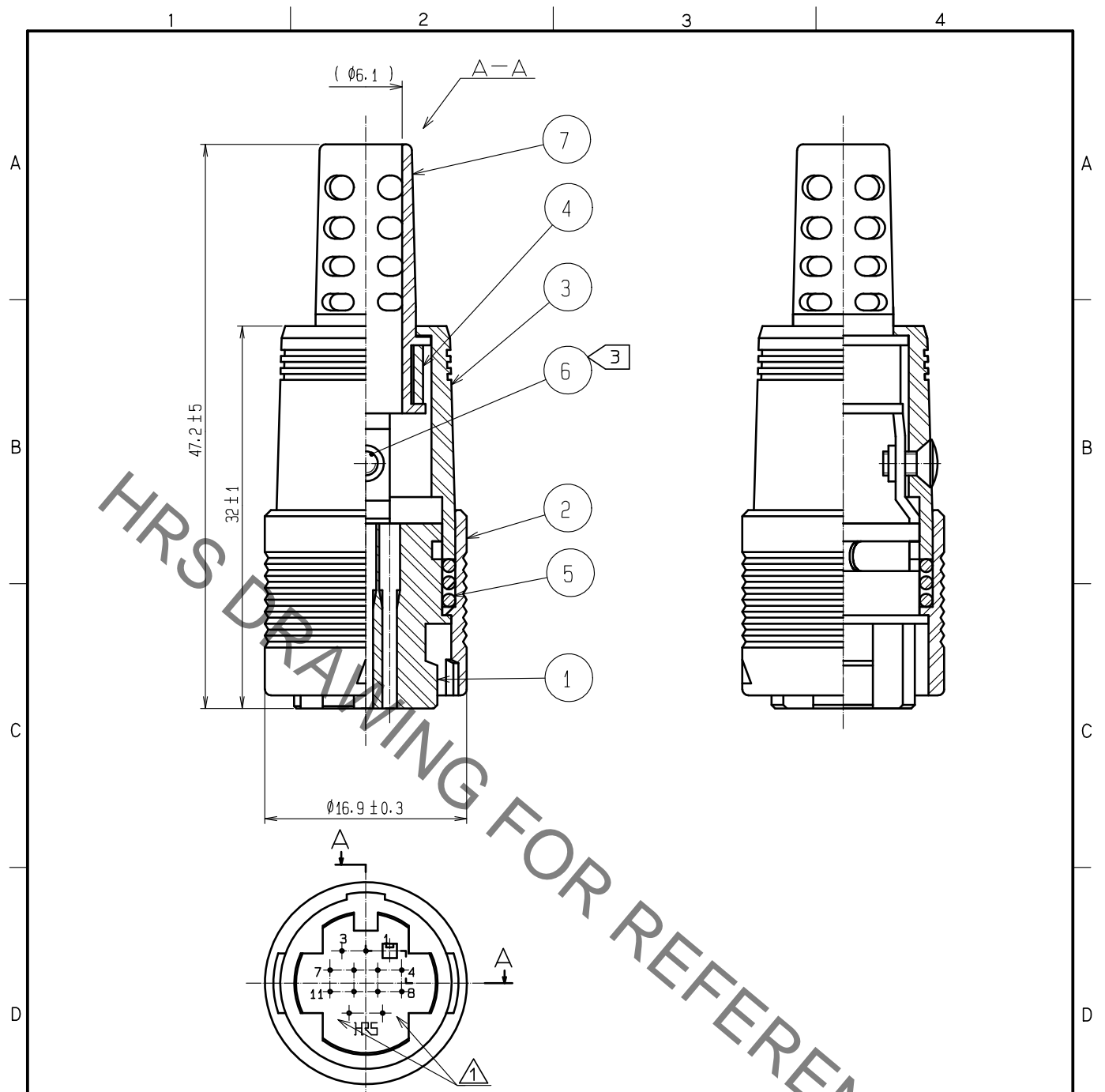


Sep. 1. 2021 Copyright 2021 HIROSE ELECTRIC CO., LTD. All Rights Reserved.
In case of consideration for using Automotive equipment / device which demand high reliability, kindly contact our sales window correspondents.



- NOTES
- 1 APPLICABLE CRIMP CONTACT:
CONTACT NO. 1 TO 11: RP13A-SC-222(WIRE RANGE, #24 TO 28 AWG)
CONTACT NO. 12 TO 13: RP13A-SC-212(WIRE RANGE, #18 TO 22 AWG)
 - 2 APPLICABLE CRIMP CONTACT CRIMPING TOOL: RP13A-TC-01(CL150-0070-0)
APPLICABLE CRIMP CONTACT EXTRACTION TOOL: RP13A-SC-TP(CL150-0022-8)
 - 3 THE RECOMMENDED CLAMP TORQUE OF REF. NO. ⑥ TO 0.2 N · m.
 - 4 THIS PRODUCT IS DELIVERED DISASSEMBLED.
 - 5 THE CABLE CLAMP STRENGTH, ROTATION STRENGTH AND OTHER PLEASE CONFIRM BEFORE THE USE.

4	BRASS				
3	POLYCARBONATE	(BLACK) UL94V-0	7	PVC	(BLACK)
2	POLYCARBONATE	(BLACK) UL94V-0	6	BRASS	ZINC PLATING BLACK CHROME TREATMENT (TRIVALENT CHROMIUM) JIS B 1111 M2X0.4X4
1	POLYCARBONATE	(BLACK) UL94V-0	5	STEEL	NICKEL PLATING
NO.	MATERIAL	FINISH . REMARKS	NO.	MATERIAL	FINISH . REMARKS

UNITS mm		SCALE 2 : 1	COUNT 1	DESCRIPTION OF REVISIONS DIS-C-00003629	DESIGNED TY. SUZUKI	CHECKED HY. KOBAYASHI	DATE 20200302
HIROSE ELECTRIC CO., LTD.				APPROVED : HY. KOBAYASHI 20180226	DRAWING NO. EDC-009829-31-00		
				CHECKED : HY. KOBAYASHI 20180226	PART NO. RP13A-12PB-13SC(31)		
				DESIGNED : DS. MATSUNE 20180224	CODE NO. CL113-0184-0-31		
				DRAWN : AI. NISHIYAMA 20180216	1/1		