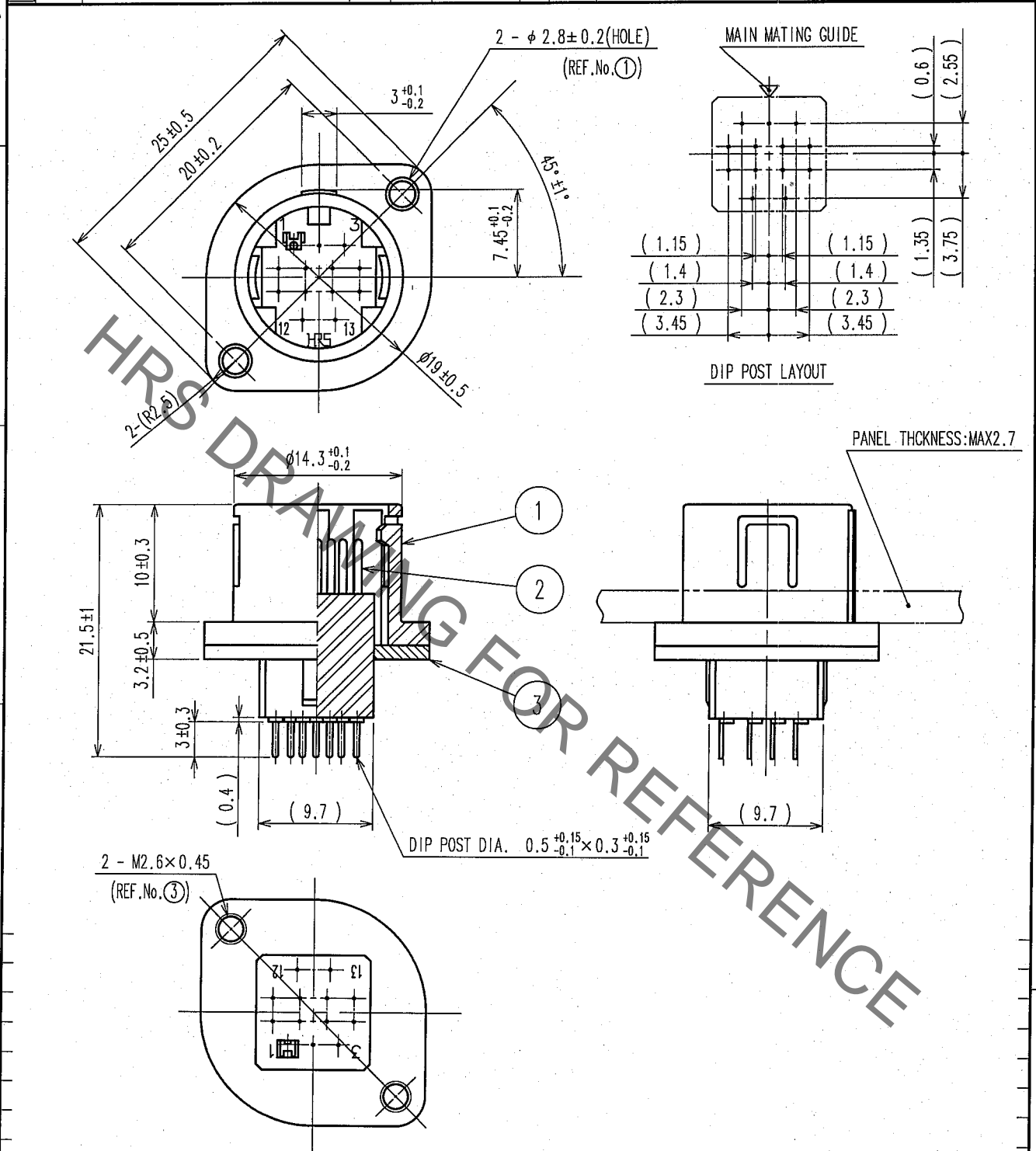


Sep.1.2021 Copyright 2021 HIROSE ELECTRIC CO., LTD. All Rights Reserved.  
In case of consideration for using Automotive equipment / device which demand high reliability, kindly contact our sales window correspondents.

1					2					3					4				
COUNT	DESCRIPTION OF REVISIONS				BY	CHKD	DATE	COUNT	DESCRIPTION OF REVISIONS				BY	CHKD	DATE				
△								△											
△								△											
△								△											



2	PHOSPHOR BRONZE	SILVER PLATING	0.8μ m min.			
1	POLYCARBONATE	(BLACK)	UL94V-0	3	STEEL	NICKEL PLATING
NO.	MATERIAL	FINISH, REMARKS		NO.	MATERIAL	FINISH, REMARKS

CODE NO. (OLD) CL		DRAWN M. Ishihara	DESIGNED E. Yumino	CHECKED H. Zemba	APPROVED M. Sato	RELEASED
		05.9.26	05.09.26	05.09.26	05.09.28	

SCALE 2 : 1	DRAWING NO. EDC4-010245-71	PART NO. RP13A-12RA-13PA(71)
	UNITS mm	CODE NO. CL113-0202-0-71

TO
R