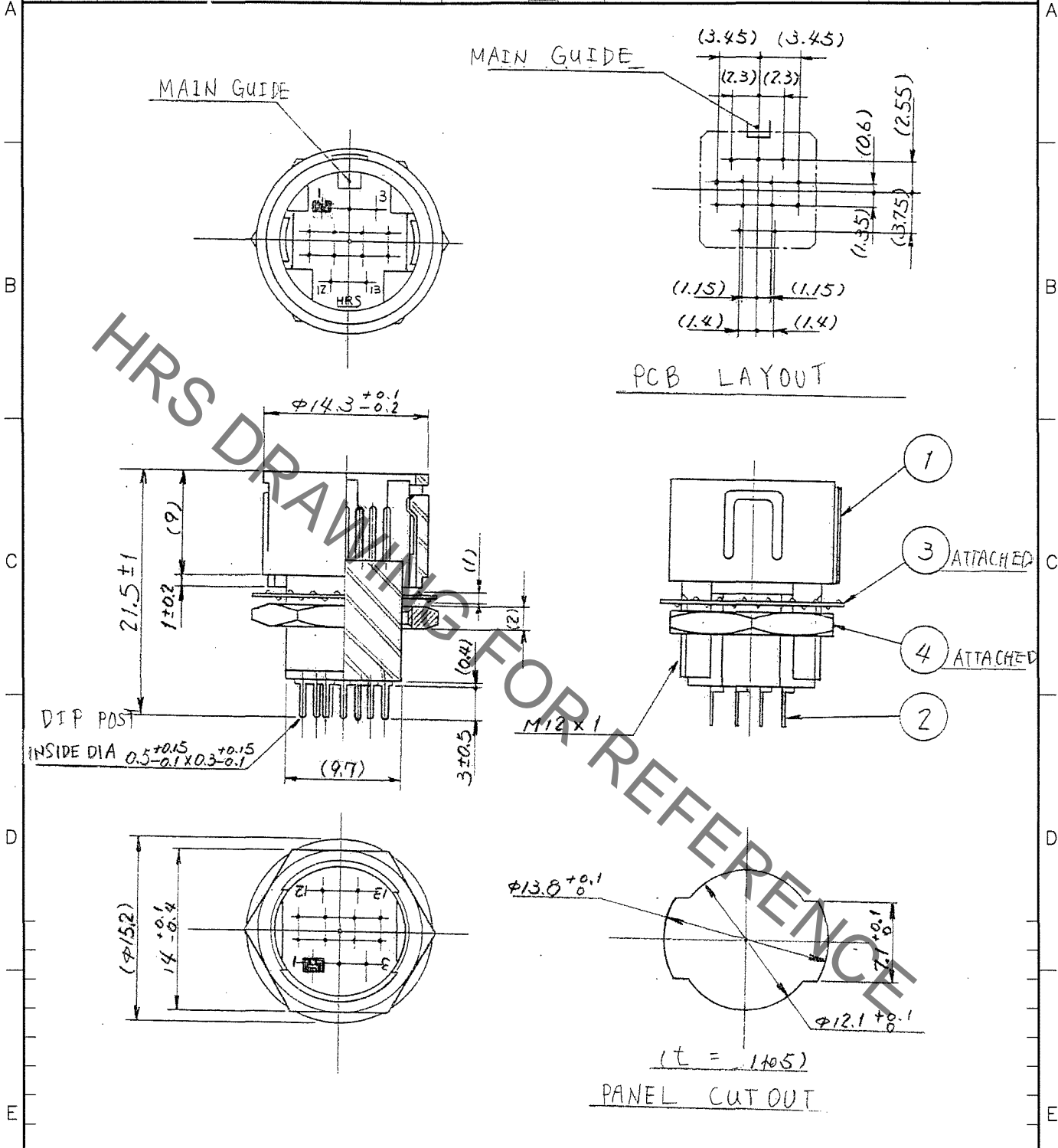


Sep.1.2021 Copyright 2021 HIROSE ELECTRIC CO., LTD. All Rights Reserved.
In case of consideration for using Automotive equipment / device which demand high reliability, kindly contact our sales window correspondents.

| COUNT | DESCRIPTION OF REVISIONS | BY | CHKD | DATE | COUNT | DESCRIPTION OF REVISIONS | BY | CHKD | DATE |
|-------|--------------------------|-----|------|----------|-------|--------------------------|----|------|------|
| ▲ | 1 DIS-C-000585 | T.K | EK | 07.07.27 | ▲ | | | | |
| ▲ | | | | | ▲ | | | | |
| ▲ | | | | | ▲ | | | | |



| 2 | PHOSPHOR BRONZE | SILVER PLATING | 0.8μ m min. | 4 | BRASS | NICKEL PLATING |
|-----|-----------------|-----------------|-------------|-----|----------|-----------------|
| 1 | POLYCARBONATE | (BLACK) | UL94V-0 | 3 | STEEL | NICKEL PLATING |
| NO. | MATERIAL | FINISH, REMARKS | | NO. | MATERIAL | FINISH, REMARKS |

| CODE NO. (OLD) | DRAWN | DESIGNED | CHECKED | APPROVED | RELEASED |
|----------------|----------|----------|----------|----------|----------|
| CL | E.Yumino | E.Yumino | H.Zemba | M.Sato | |
| | 05.09.26 | 05.09.26 | 05.09.27 | 05.09.28 | |

| | | |
|-----------------------------------|-------------------------------|---------------------------------|
| SCALE 2 : 1 UNITS mm | DRAWING NO. EDC4-010246-71 | PART NO. RP13A-12RB-13PA(71) |
| | HIROSE ELECTRIC CO.,LTD. | CODE NO. CL113-0203-2-71 |

| |
|----|
| TO |
| R |
| |
| |