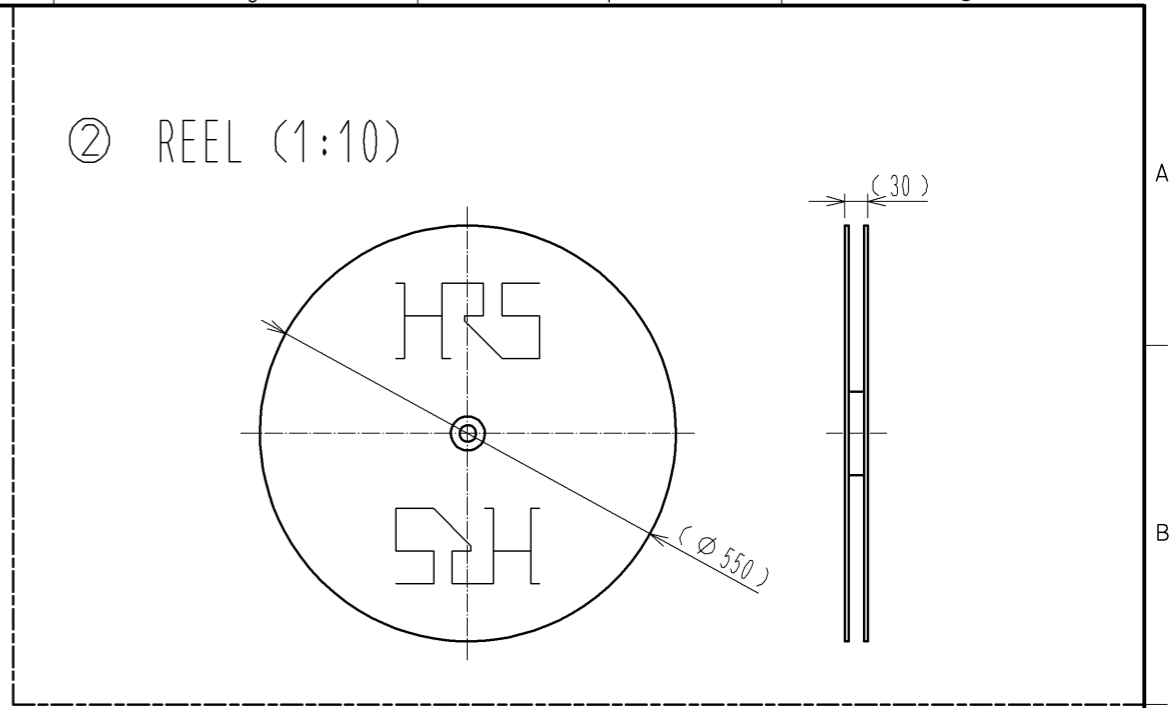
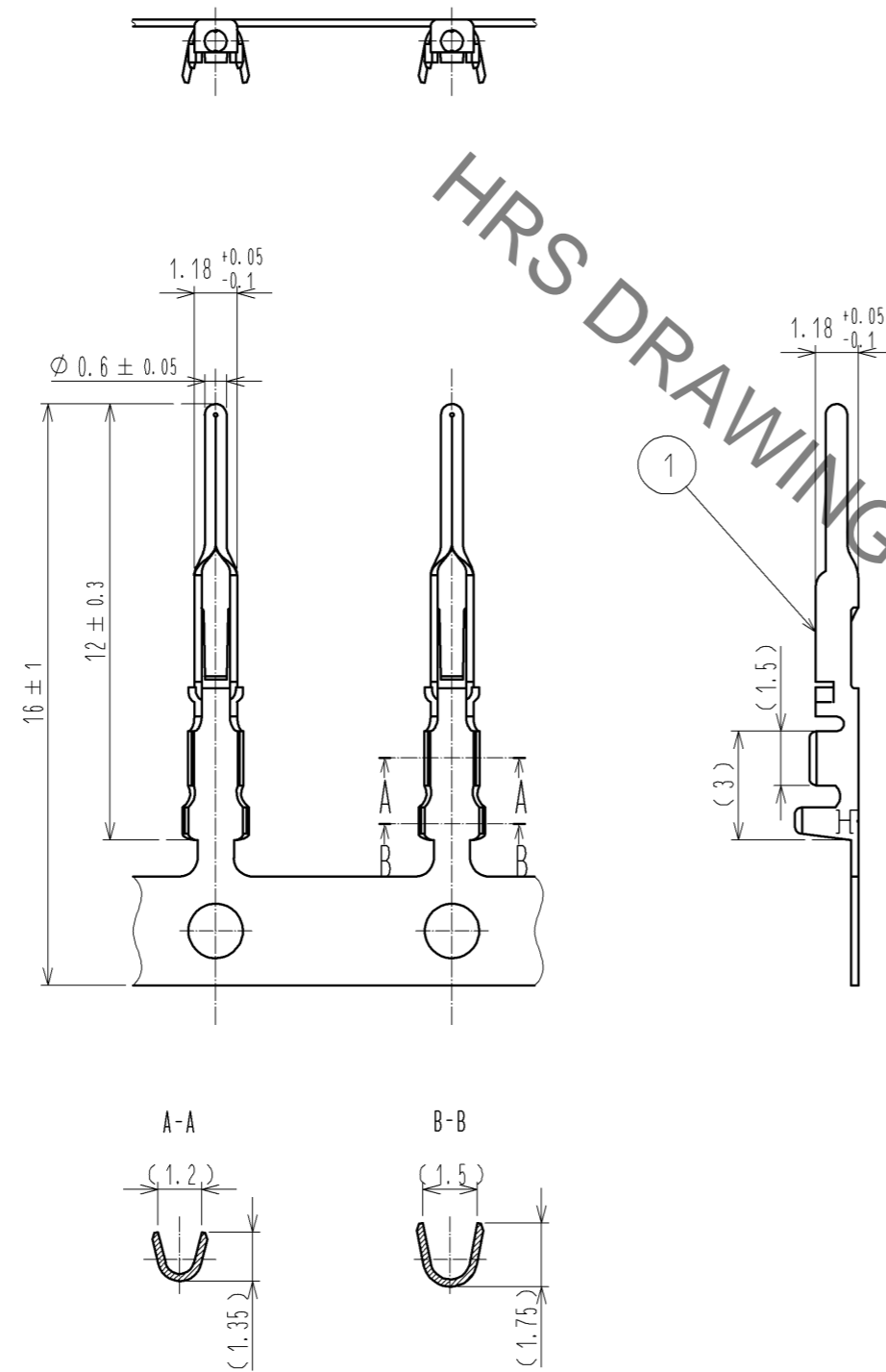


Oct.1.2021 Copyright 2021 HIROSE ELECTRIC CO., LTD. All Rights Reserved.  
In case of consideration for using Automotive equipment / device which demand high reliability, kindly contact our sales window correspondents.



HRS DRAWING FOR REFERENCE

NOTES 1 APPLICABLE WIRE : AWG #30~24 (INSULATION DIA. 1.15 MAX).  
2 CRIMPING CONDITION AS CRIMP HEIGHT IS SPECIFIED INDIVIDUALLY  
DEPENDING ON WIRE USED.

1	PHOSPHOR BRONZE	SILVER PLATING 2µm min. (N=10000)	2	CARTON	(REEL)		
NO.	MATERIAL	FINISH . REMARKS	NO.	MATERIAL	FINISH . REMARKS		
UNITS mm		SCALE 5 : 1	COUNT 	DESCRIPTION OF REVISIONS	DESIGNED	CHECKED	DATE
<b>HRS</b> HIROSE ELECTRIC CO., LTD.		APPROVED : SU. OBARA	11.01.24	DRAWING NO. EDC3-021030-00			
		CHECKED : HY. KISHI	11.01.21	PART NO. RP19-PC-222			
		DESIGNED : TH. KAMEYA	11.01.21	CODE NO. CL113-0264-7-00			
		DRAWN : YS. SAKODA	09.11.06			1/1	