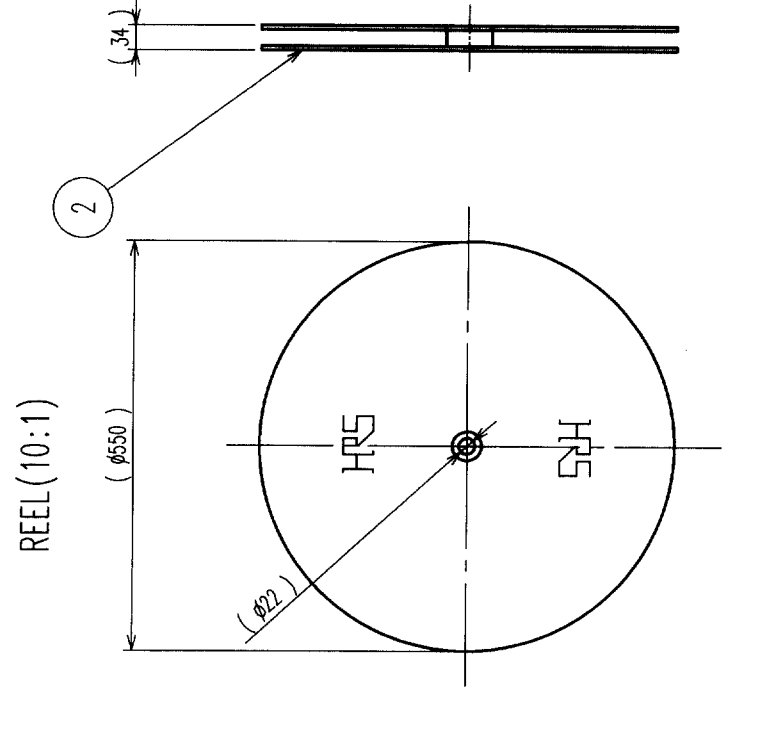
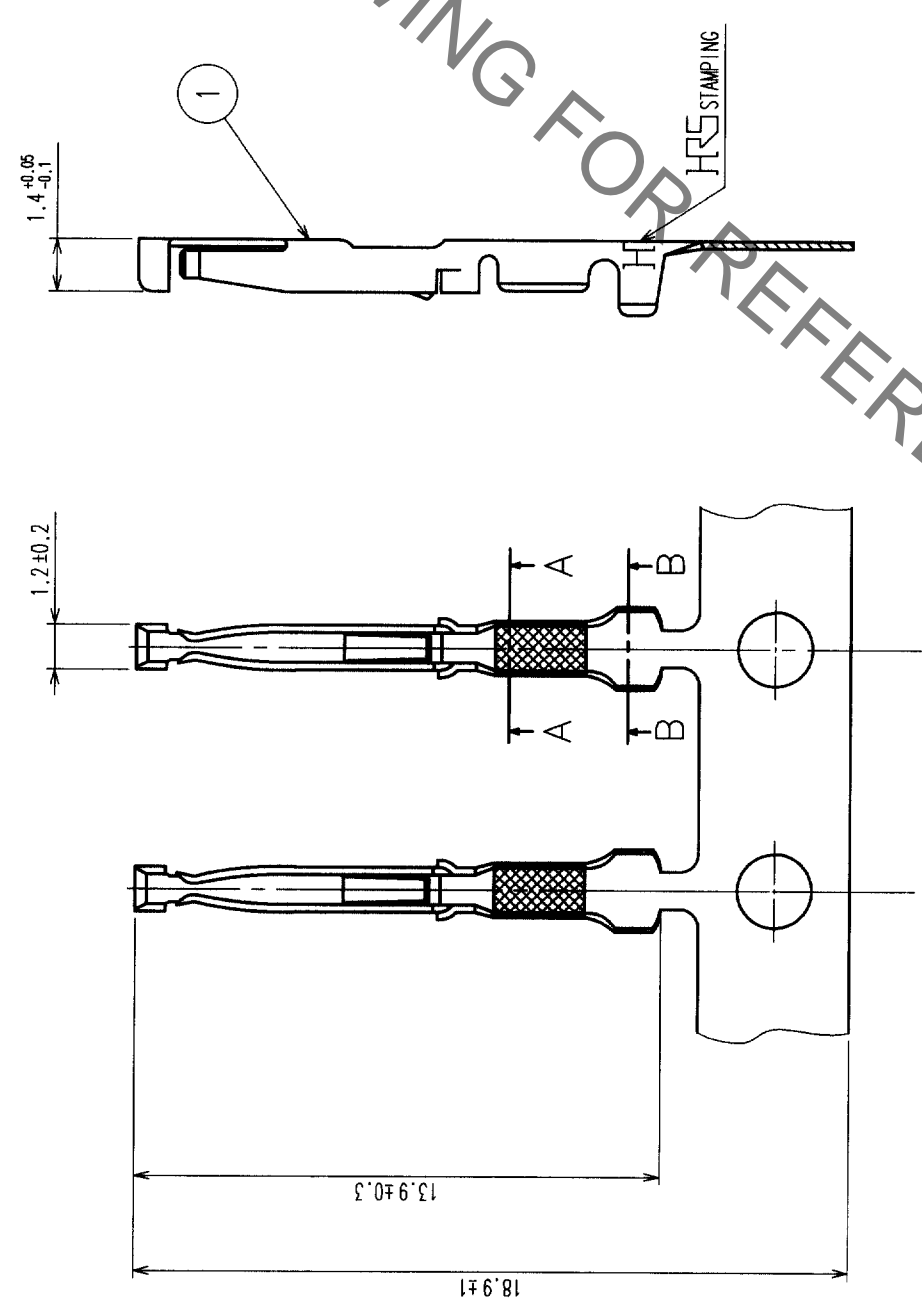
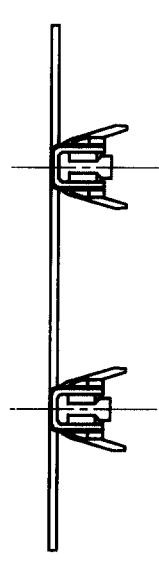


In case of consideration for using Automotive equipment / device which demand high reliability, kindly contact our sales window correspondents.

COUNT	DESCRIPTION OF REVISIONS	BY	CHKD	DATE	COUNT	DESCRIPTION OF REVISIONS	BY	CHKD	DATE
△					△				
△					△				
△					△				

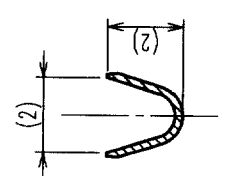
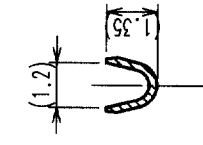


NOTE 1 APPLICABLE WIRE SIZE: AWG#28 TO 24 (INSULATION DIA 1.4 MAX)  
 2 PLATING CONTACT AREA: GOLD 0.2µm MIN.  
 UNDER PLATING : NICKEL 1 µm MIN.

HRS DRAWING FOR REFERENCE

A-A

B-B



1	PHOSPHOR BRONZE	2	CARTON	(REEL)
NO.	MATERIAL	FINISH, REMARKS	NO.	MATERIAL
CL	(OLD)			
DRAWN		DESIGNED	CHECKED	APPROVED
E. YUMINO		E. YUMINO	E. Kuni	M. Yoshida
02.10.08		02.10.08	02.10.08	02.10.08
DRAWING NO.		PART NO.		
EDC3-028358		RP13A-SC-221		
SCALE	5 : 1			
UNITS	mm			
HRS		HIROSE ELECTRIC CO., LTD		CL113-0362-6
				1/1

TO	
R	