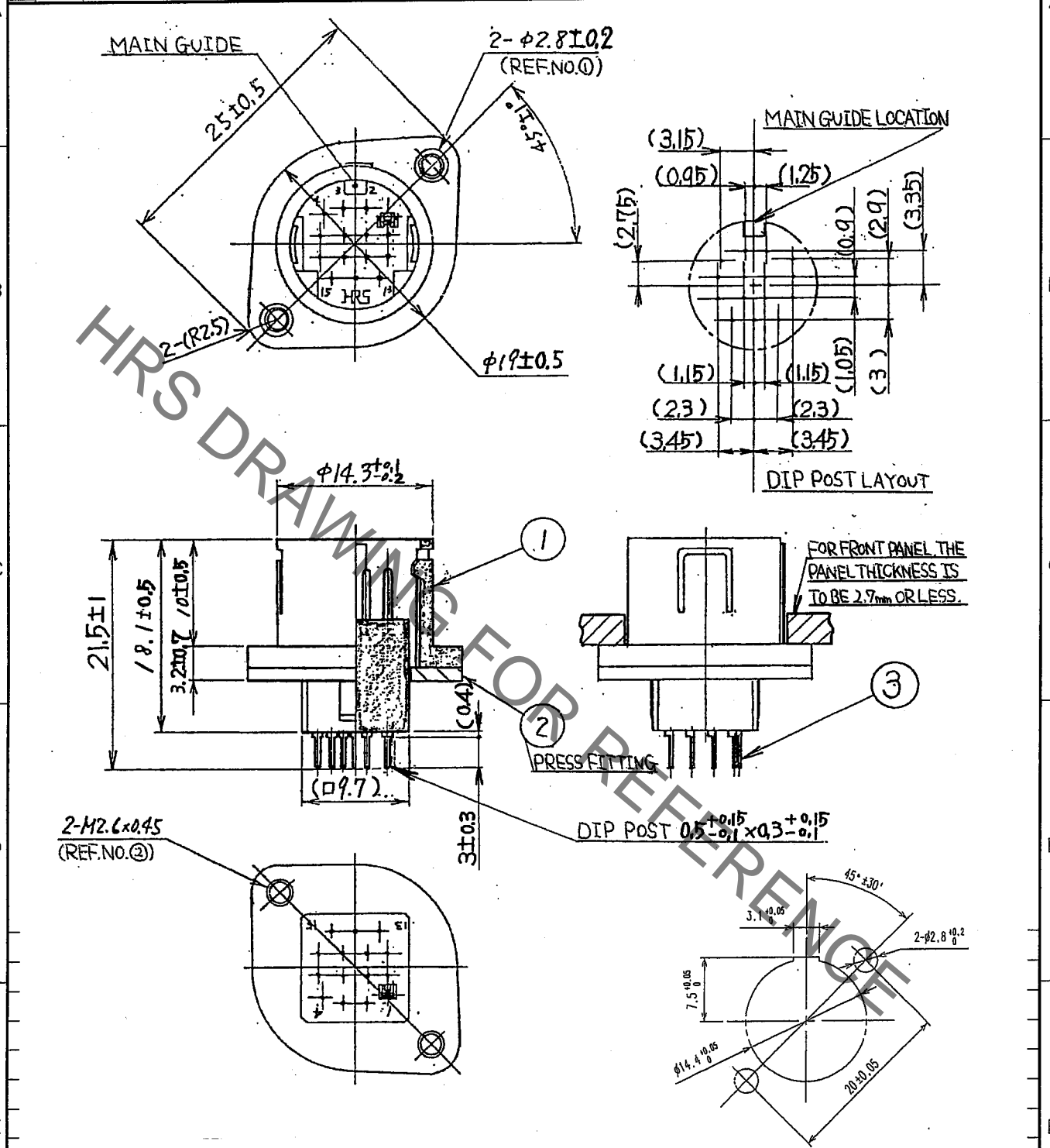


Sep.1.2021 Copyright 2021 HIROSE ELECTRIC CO., LTD. All Rights Reserved.
In case of consideration for using Automotive equipment / device which demand high reliability, kindly contact our sales window correspondents.

1		2			3			4		
COUNT	DESCRIPTION OF REVISIONS	BY	CHKD	DATE	COUNT	DESCRIPTION OF REVISIONS	BY	CHKD	DATE	
△					△					
△					△					
△					△					



2	STEEL	NICKEL PLATING					
1	POLYCARBONATE	BLACK UL94V-0		3	PHOSPHOR BROBZE	SILVER PLATING 0.8μm min.	
NO.	MATERIAL	FINISH, REMARKS		NO.	MATERIAL	FINISH, REMARKS	

CODE NO. (OLD) CL		DRAWN	DESIGNED	CHECKED	APPROVED	RELEASED
		M. Ishii 06.10.26	D. Matsume 06.10.26	E. Kunii 06.10.26	M. Saito 06.10.30	

SCALE 2 : 1	DRAWING NO. EDC4-025705-71	PART NO. RP13A-12RA-15PA(71)
	UNITS mm	CODE NO. CL113-1002-6-71