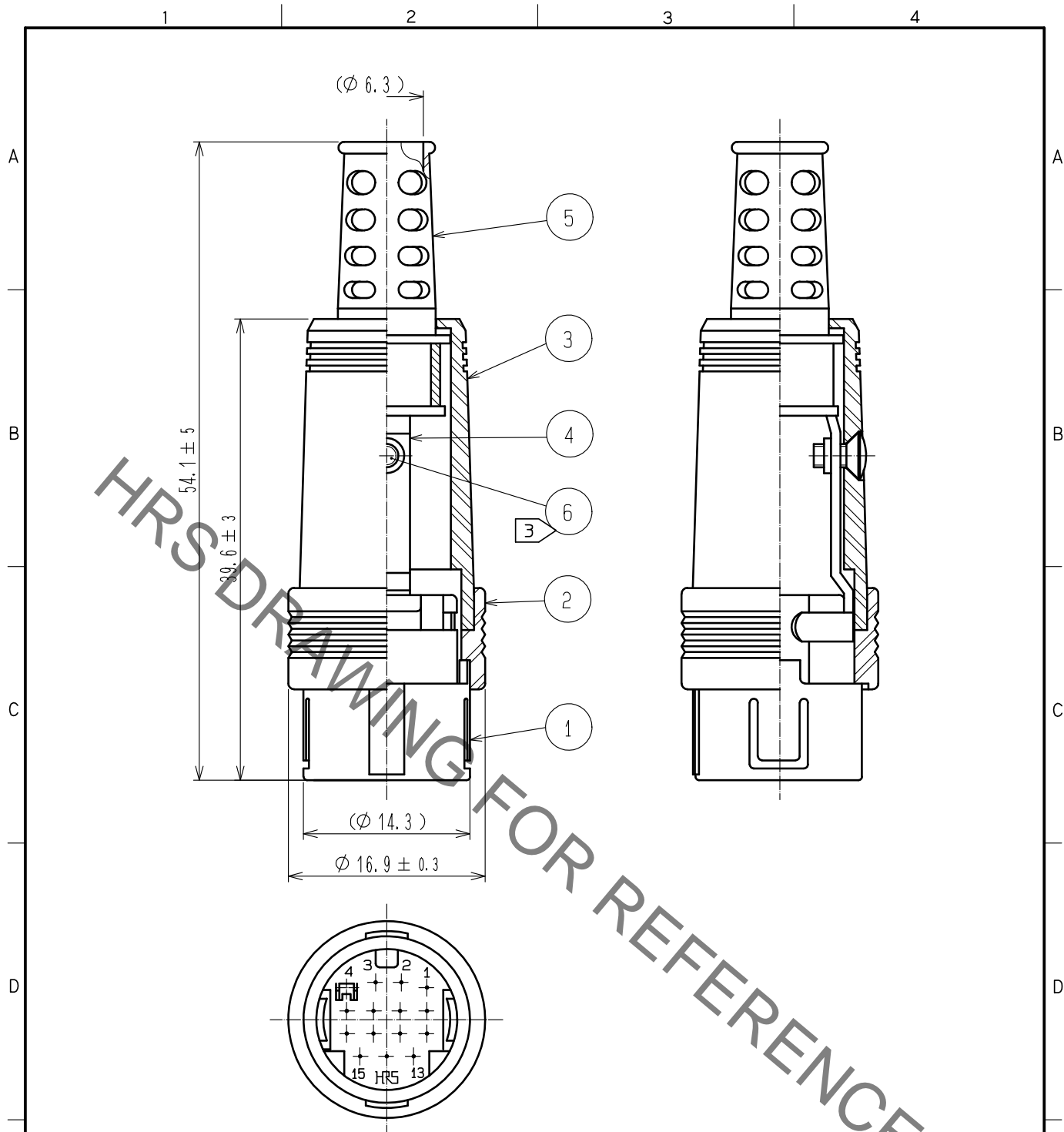


Sep.1.2021 Copyright 2021 HIROSE ELECTRIC CO., LTD. All Rights Reserved.
In case of consideration for using Automotive equipment / device which demand high reliability, kindly contact our sales window correspondents.



- Notes
- 1 Applicable crimping contact : RP13-PC-222(CL113-0141-7)
(Applicable wire :AWG #24 to #30)
 - 2 Applicable crimp contact crimping tool : RP13A-TC-01(CL150-0070-0)
Applicable crimp contact extraction tool : RP13-PC-TP(CL150-0021-5)
 - 3 The recommended tightening torque of Ref.No. ③ shell be 0.2N·m.
 - 4 This product is delivered disassemble.
 - 5 The cable pull and twisting strength and other characteristics may differ.
Depending on the cable structure, please confirm before the use.

3	Polycarbonate	(Black)	UL94V-0	6	Brass	Black chromate treatment(Trivalent chromium) JIS B1111 M2×0.4×4
2	Polycarbonate	(Black)	UL94V-0	5	Flexible polyvinylchloride	(Black)
1	Polycarbonate	(Black)	UL94V-0	4	Brass	
NO.	MATERIAL	FINISH . REMARKS		NO.	MATERIAL	FINISH . REMARKS

UNITS mm		SCALE 2 : 1	COUNT 1	DESCRIPTION OF REVISIONS DIS-C-00001211	DESIGNED MM. ISHII	CHECKED EJ. KUNII	DATE 16.10.17
-------------	--	----------------	------------	--	-----------------------	----------------------	------------------

HRS HIROSE ELECTRIC CO., LTD.	APPROVED :EJ. KUNII	16.03.23	DRAWING NO.	EDC-026920-71-00
	CHECKED :EJ. KUNII	16.03.23	PART NO.	RP13A-12JD-15PC(71)
	DESIGNED :MM. ISHII	16.03.23	CODE NO.	CL113-1005-4-71
	DRAWN :MM. ISHII	16.03.23		1/1