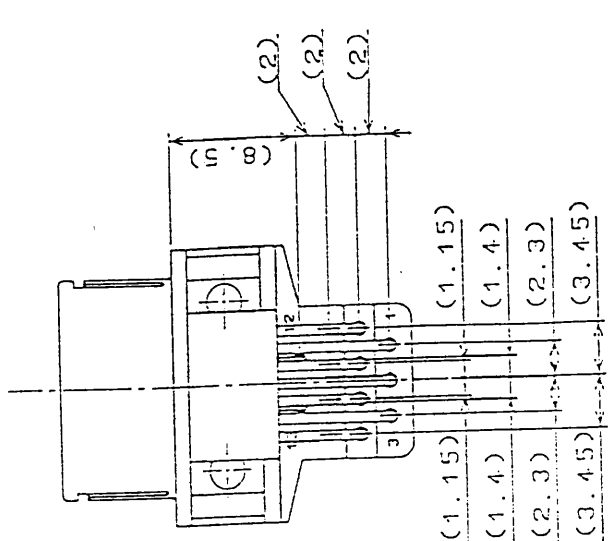
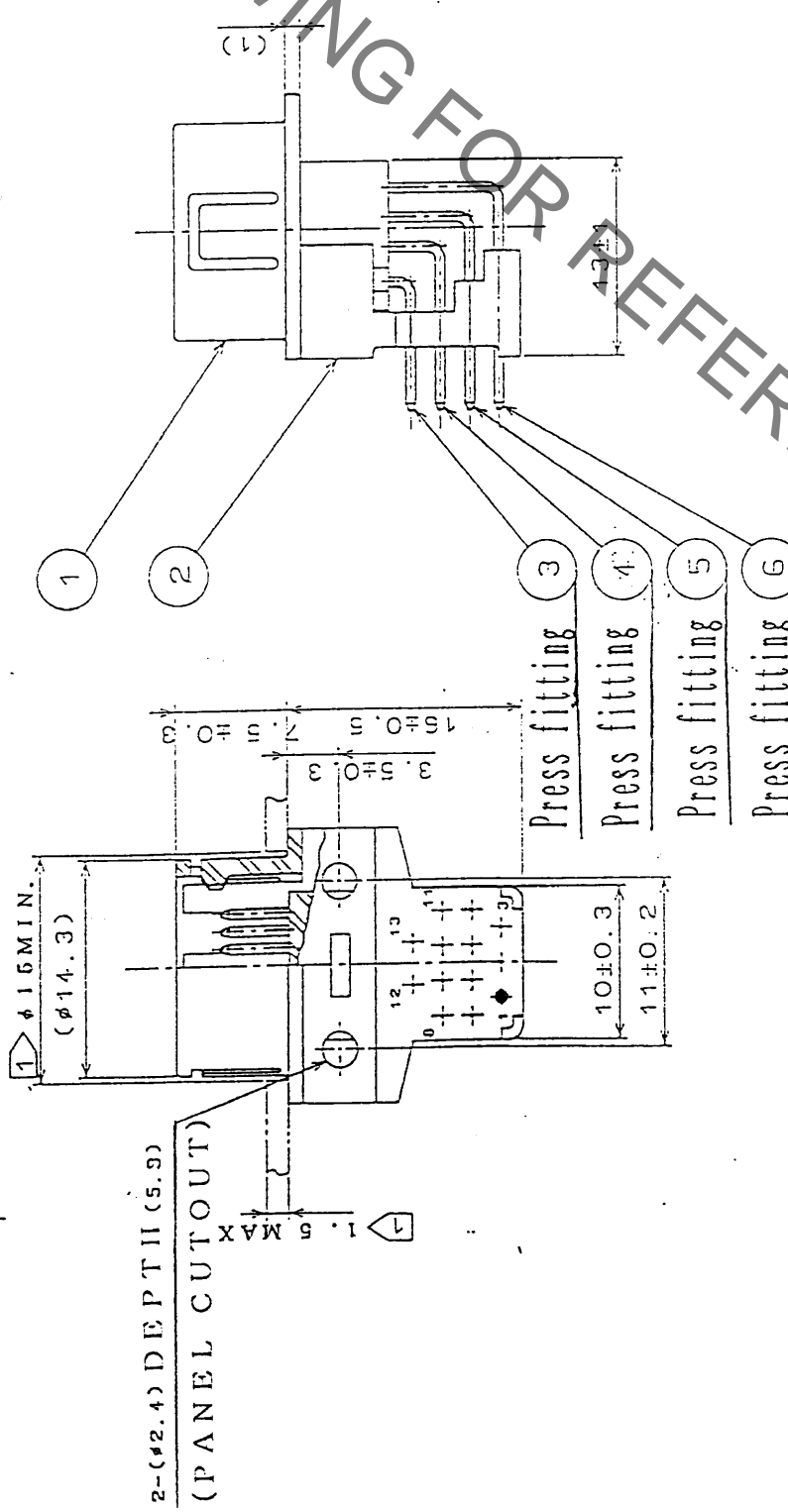
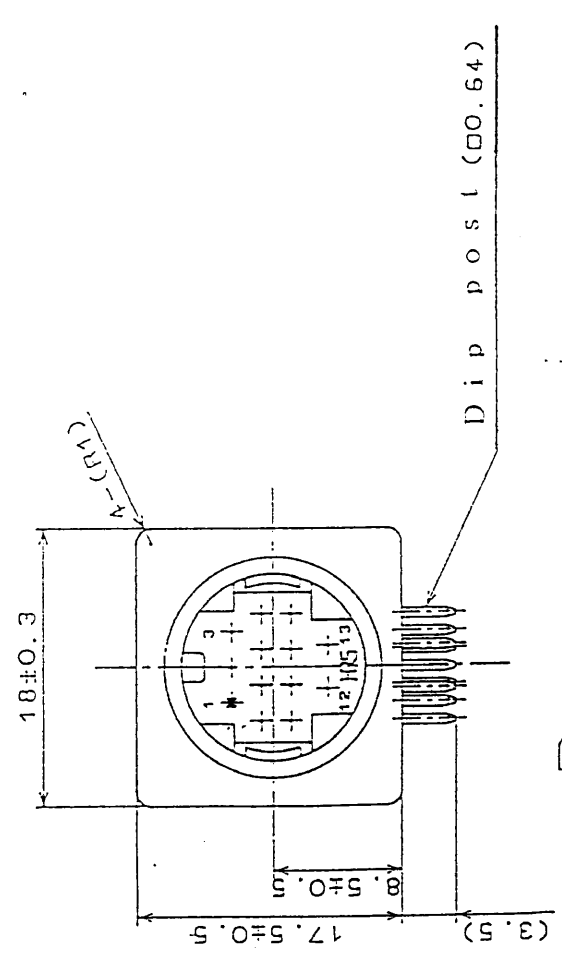


In case of consideration for using Automotive equipment / device which demand high reliability, kindly contact our sales window correspondents.

5	6	7	8	9	10
COUNT	DESCRIPTION OF REVISIONS	BY	CHKD	DATE	DESCRIPTION OF REVISIONS



HRS DRAWING FOR REFERENCE

- NOTES 1 "1.5 MAX." AND "φ15MIN." SHOW DIMENSIONS FOR PANEL CUTOUT.
 2 USE TAPPING SCREW FOR M3 BY JIS B 1122 OR EQUIVALENT TO FIX THE CONNECTOR.

2	P.B.T	(Black) UI.94V-0	DESIGNED	NO.	3-6	Brass	CHECKED	APPROVED	RELEASED
1	P.B.T	(Black) UI.94V-0	DRAWN	NO.	3-6	Brass	CHECKED	APPROVED	RELEASED
NO.		MATERIAL	FINISH	REMARKS	MATERIAL		FINISH, REMARKS		
CODE NO. (OLD)		DRAWING NAME		DRAWING NO.		PART NO.		CODE NO.	
CL		DRAWING FOR APPROVAL		12.1.92		12.2.92		12.10.92	
SCALE		UNITS		M.M		M.M		M.M	
2:1		m.m		m.m		m.m		m.m	
HRS		HIROSE ELECTRIC CO., LTD.		RP13A-12RC-13PB		CL113-1020-8-		FORM No. 229	

TO R