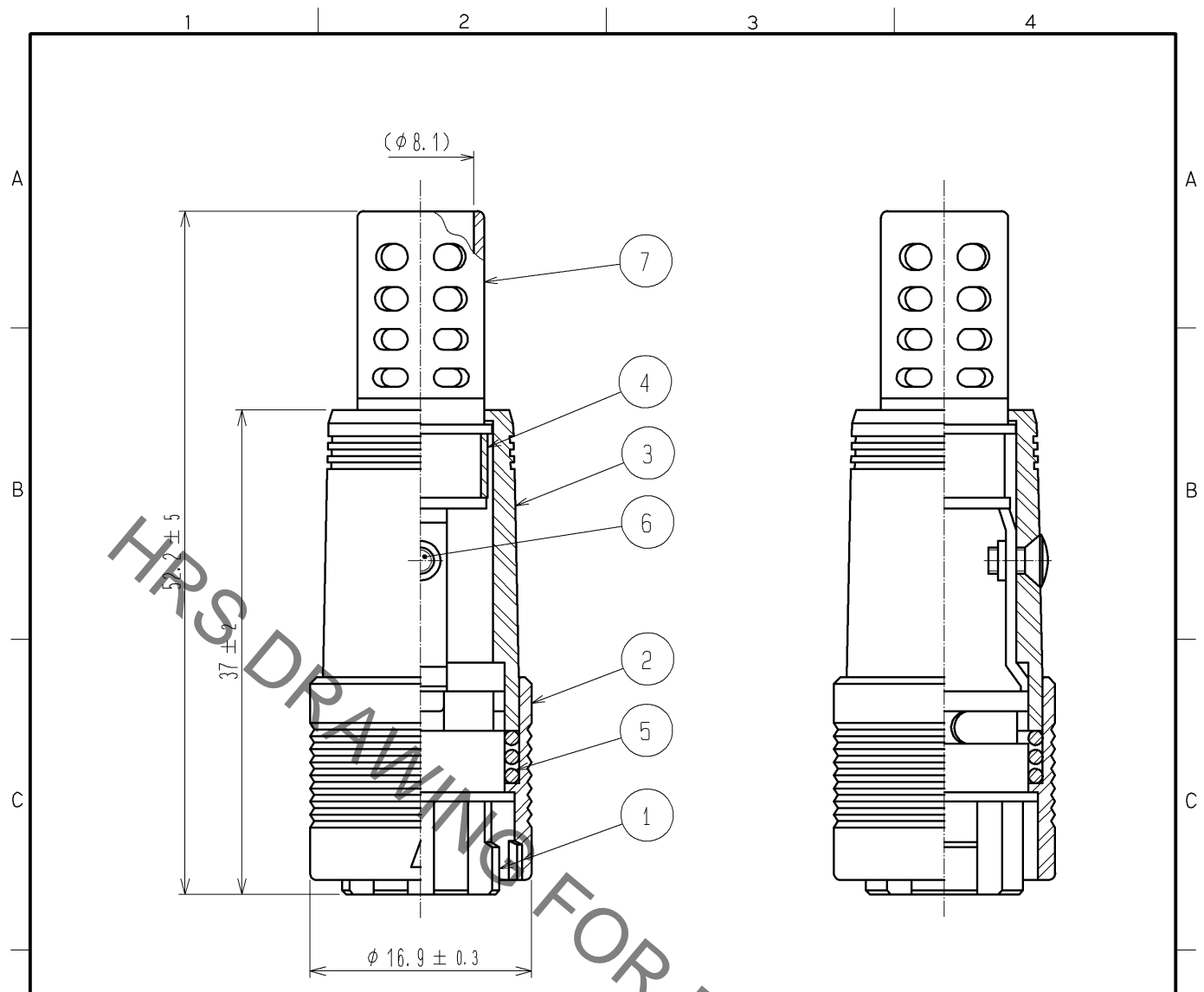


Oct.1.2021 Copyright 2021 HIROSE ELECTRIC CO., LTD. All Rights Reserved.
 In case of consideration for using Automotive equipment / device which demand high reliability, kindly contact our sales window correspondents.



- NOTES
1. THIS PRODUCT IS DELIVERED DISASSEMBLED.
 2. APPLICABLE CRIMP CONTACT:
RP19-SC-222 (WIRE RANGE, #24 TO #30 AWG)
 3. APPLICABLE EXTRACTION TOOL FOR CRIMP CONTACT:
RP6-SC-TP (CL150-0039-0)
 4. APPLICABLE CRIMP TOOL:
RP13A-TC-02 (CL150-0071-3)

4	BRASS				
3	POLYCARBONATE	(BLACK)	UL94V-0	7	POLYVINYLCHLORIDE (BLACK)
2	POLYCARBONATE	(BLACK)	UL94V-0	6	BRASS
1	POLYCARBONATE	(BLACK)	UL94V-0	5	STEEL
					NICKEL PLATING
NO.	MATERIAL	FINISH, REMARKS		NO.	MATERIAL
					FINISH, REMARKS

UNITS mm		SCALE 2 : 1	COUNT 	DESCRIPTION OF REVISIONS	DESIGNED	CHECKED	DATE
HIROSE ELECTRIC CO., LTD.		APPROVED : MO. SATOH	08.12.03	DRAWING NO.	EDC4-040899-71		
		CHECKED : HY. KOBAYASHI	08.12.03	PART NO.	RP13A-12PS-20SC(71)		
		DESIGNED : TH. KAMEYA	08.12.03	CODE NO.	CL113-1022-3-71		
		DRAWN : TH. KAMEYA	08.12.03		1/1		