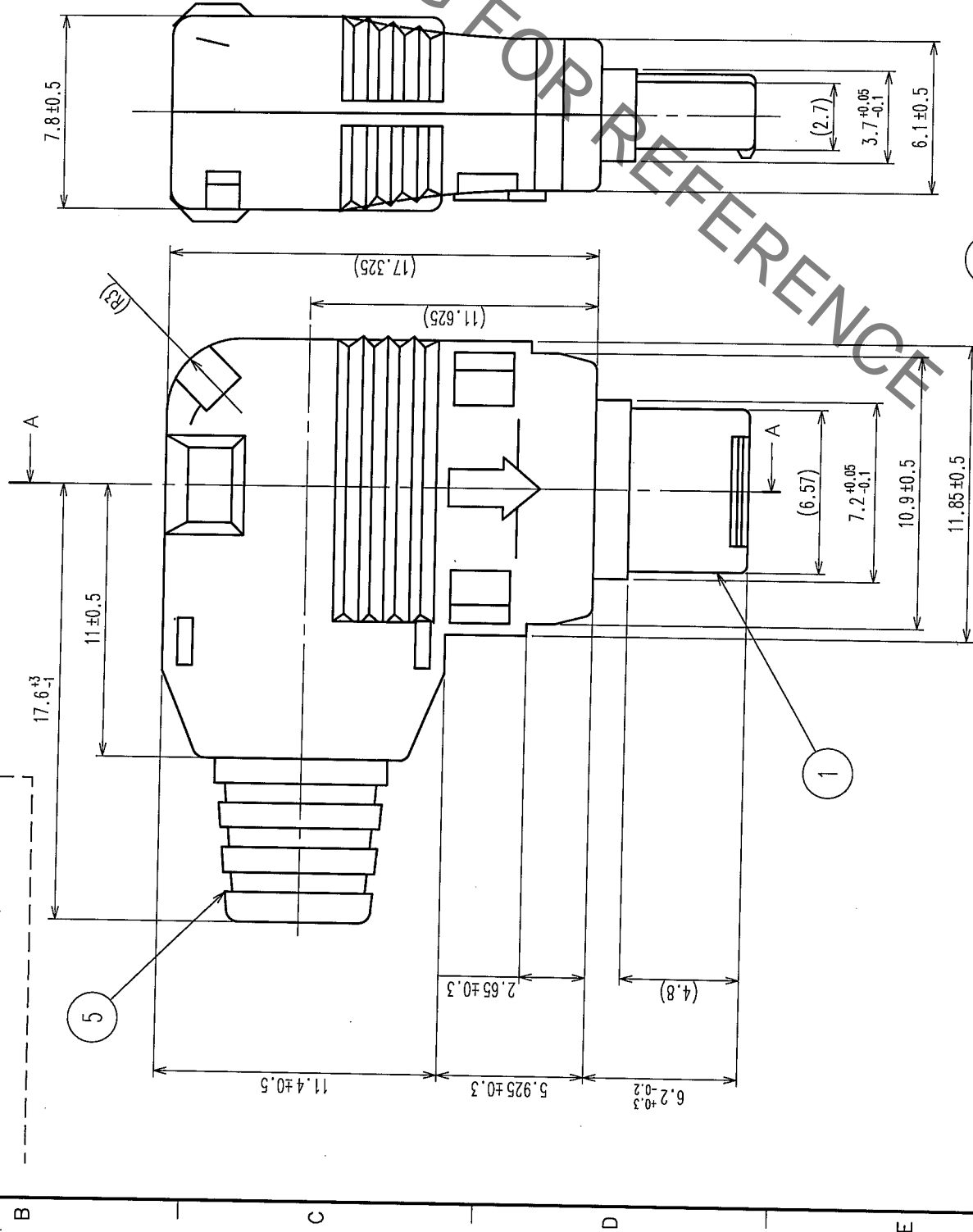
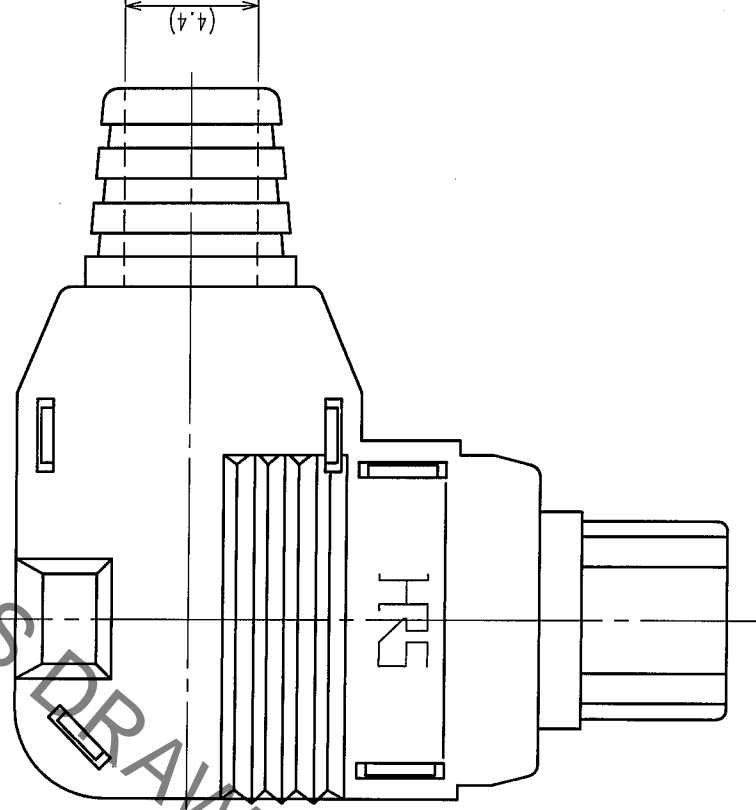
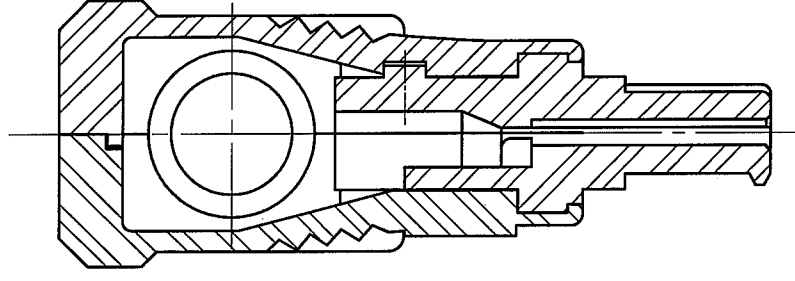


COUNT	DESCRIPTION OF REVISIONS	BY	CHKD	DATE	COUNT	DESCRIPTION OF REVISIONS	BY	CHKD	DATE
△					△				
△					△				
△					△				

- NOTE
- 1 APPLICABLE CRIMP CONTACT : RP34L-SC1-212(01)(CL113-5151-8-01).
 - 2 APPLICABLE CRIMP CONTACT EXTRACTION TOOL : RP6-SC-TP(CL150-0039-0).
 - 3 APPLICABLE CRIMPING JIG : RP34-TC-01(CL150-0074-1).
 - 4 THIS PRODUCT DISASSEMBLED WHEN DELIVERED.

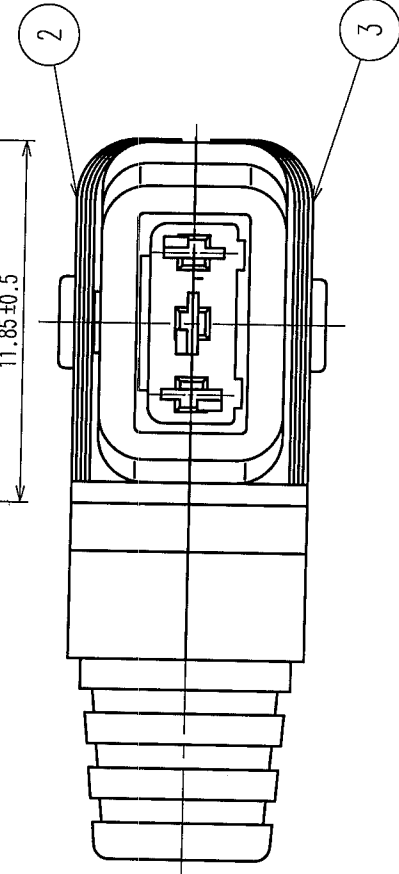


A-A



3	POLYCARBONATE (BLACK) UL94V-0	5	VINYLE (BLACK) UL94V-0		
2	POLYCARBONATE (BLACK) UL94V-0	4	BRASS		
1	PPS (BLACK) UL94V-0				
NO.	MATERIAL	FINISH, REMARKS	NO.	MATERIAL	FINISH, REMARKS
CODE NO. (OLD) CL					
DRAWN M. Ishihara		DESIGNED E. Yamino		CHECKED H. Zamba	
05.9.26		05.09.26		05.09.28	
DRAWING NO. EDC3-111810-71			PART NO. RP34L-5LP-3SC(71)		
SCALE 4 : 1			CODE NO. CL113-5161-1-71		
UNITS mm			HIROSE ELECTRIC CO., LTD		

NO.	MATERIAL	FINISH, REMARKS	NO.	MATERIAL	FINISH, REMARKS
3	POLYCARBONATE (BLACK) UL94V-0		5	VINYLE (BLACK) UL94V-0	
2	POLYCARBONATE (BLACK) UL94V-0		4	BRASS	
1	PPS (BLACK) UL94V-0				
CODE NO. (OLD) CL					
DRAWN M. Ishihara		DESIGNED E. Yamino		CHECKED H. Zamba	
05.9.26		05.09.26		05.09.28	
DRAWING NO. EDC3-111810-71			PART NO. RP34L-5LP-3SC(71)		
SCALE 4 : 1			CODE NO. CL113-5161-1-71		
UNITS mm			HIROSE ELECTRIC CO., LTD		



TO
R