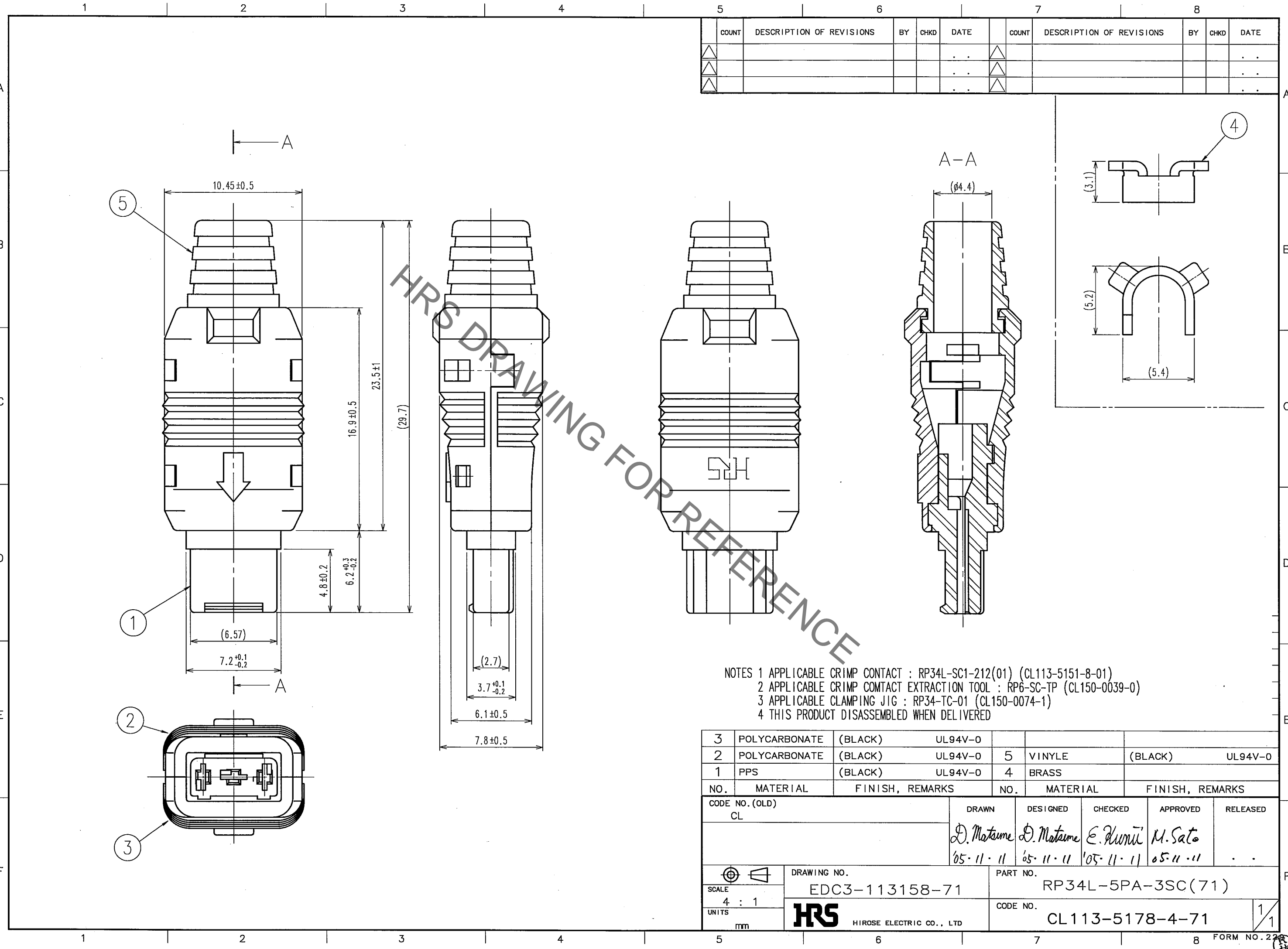


Apr.1.2021 Copyright 2021 HIROSE ELECTRIC CO., LTD. All Rights Reserved.
In case of consideration for using Automotive equipment / device which demand high reliability, kindly contact our sales window correspondents.



COUNT	DESCRIPTION OF REVISIONS	BY	CHKD	DATE	COUNT	DESCRIPTION OF REVISIONS	BY	CHKD	DATE
△				..	△				..
△				..	△				..
△				..	△				..

NOTES 1 APPLICABLE CRIMP CONTACT : RP34L-SC1-212(01) (CL113-5151-8-01)
 2 APPLICABLE CRIMP CONTACT EXTRACTION TOOL : RP6-SC-TP (CL150-0039-0)
 3 APPLICABLE CLAMPING JIG : RP34-TC-01 (CL150-0074-1)
 4 THIS PRODUCT DISASSEMBLED WHEN DELIVERED

3	POLYCARBONATE	(BLACK)	UL94V-0			
2	POLYCARBONATE	(BLACK)	UL94V-0	5	VINYLE	(BLACK) UL94V-0
1	PPS	(BLACK)	UL94V-0	4	BRASS	
NO.	MATERIAL	FINISH, REMARKS	NO.	MATERIAL	FINISH, REMARKS	

CODE NO. (OLD) CL		DRAWN <i>D. Matsume</i> 05.11.11	DESIGNED <i>D. Matsume</i> 05.11.11	CHECKED <i>E. Kurui</i> 05.11.11	APPROVED <i>M. Sato</i> 05.11.11	RELEASED ..
DRAWING NO. EDC3-113158-71		PART NO. RP34L-5PA-3SC(71)				
SCALE 4 : 1		CODE NO. CL113-5178-4-71				1/1
UNITS mm		HIROSE ELECTRIC CO., LTD				

TO
R