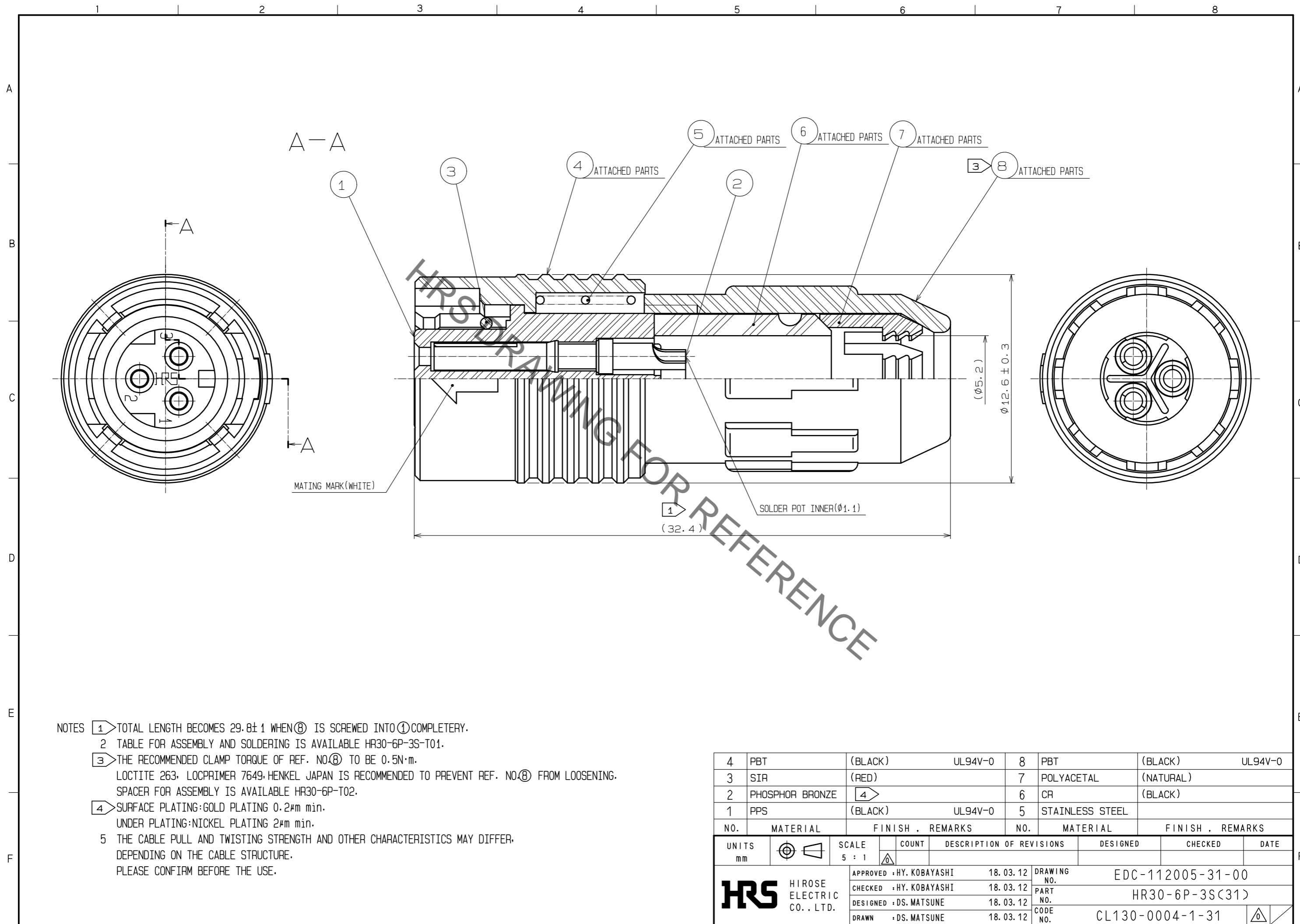


Jan.1.2023 Copyright 2023 HIROSE ELECTRIC CO., LTD. All Rights Reserved.  
 In case of consideration for using Automotive equipment / device which demand high reliability, kindly contact our sales window correspondents.



- NOTES
- ① TOTAL LENGTH BECOMES 29.8 ± 1 WHEN ⑧ IS SCREWED INTO ① COMPLETELY.
  - ② TABLE FOR ASSEMBLY AND SOLDERING IS AVAILABLE HR30-6P-3S-T01.
  - ③ THE RECOMMENDED CLAMP TORQUE OF REF. NO.⑧ TO BE 0.5N·m.  
 LOCTITE 263, LOCPRIMER 7649, HENKEL JAPAN IS RECOMMENDED TO PREVENT REF. NO.⑧ FROM LOOSENING.  
 SPACER FOR ASSEMBLY IS AVAILABLE HR30-6P-T02.
  - ④ SURFACE PLATING: GOLD PLATING 0.2µm min.  
 UNDER PLATING: NICKEL PLATING 2µm min.
  - ⑤ THE CABLE PULL AND TWISTING STRENGTH AND OTHER CHARACTERISTICS MAY DIFFER,  
 DEPENDING ON THE CABLE STRUCTURE.  
 PLEASE CONFIRM BEFORE THE USE.

NO.	MATERIAL	FINISH .	REMARKS	NO.	MATERIAL	FINISH .	REMARKS
4	PBT	(BLACK)	UL94V-0	8	PBT	(BLACK)	UL94V-0
3	SIR	(RED)		7	POLYACETAL	(NATURAL)	
2	PHOSPHOR BRONZE	④		6	CR	(BLACK)	
1	PPS	(BLACK)	UL94V-0	5	STAINLESS STEEL		

UNITS	SCALE	COUNT	DESCRIPTION OF REVISIONS	DESIGNED	CHECKED	DATE
mm	5 : 1	△				
<b>HIRS</b> HIROSE ELECTRIC CO., LTD.			APPROVED : HY. KOBAYASHI 18.03.12 CHECKED : HY. KOBAYASHI 18.03.12 DESIGNED : DS. MATSUNE 18.03.12 DRAWN : DS. MATSUNE 18.03.12	DRAWING NO. EDC-112005-31-00 PART NO. HR30-6P-3S(31) CODE NO. CL130-0004-1-31		