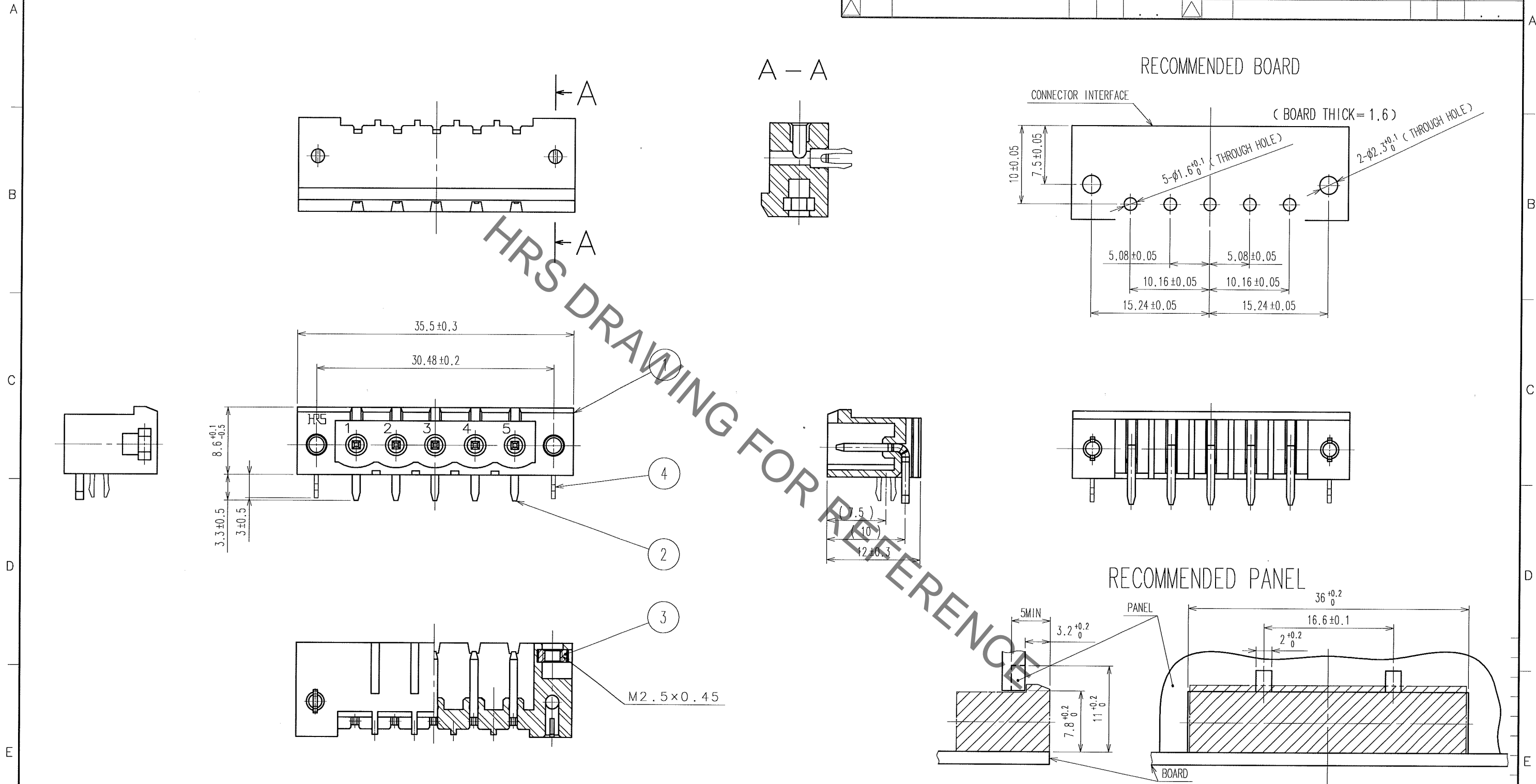


Nov.1.2021 Copyright 2021 HIROSE ELECTRIC CO., LTD. All Rights Reserved.
In case of consideration for using Automotive equipment / device which demand high reliability, kindly contact our sales window correspondents.

COUNT	DESCRIPTION OF REVISIONS	BY	CHKD	DATE	COUNT	DESCRIPTION OF REVISIONS	BY	CHKD	DATE



NOTES ① CONTACT PORTION : GOLD PLATING 0.77μ m min.
DIP PORTION : GOLD FLASH.
UNDER PLATING : NICKEL PLATING 1.27μ m min.

NO.	MATERIAL	FINISH, REMARKS	NO.	MATERIAL	FINISH, REMARKS
2	BRASS	①	4	PHOSPHOR BRONZE	TIN PLATING
1	PBT	BLACK UL94V-0	3	STEEL	NICKEL PLATING

CODE NO. (OLD)	DRAWN	DESIGNED	CHECKED	APPROVED	RELEASED
	<i>m. shii</i>	<i>D. Matsume</i>	<i>E. Kunita</i>	<i>M. Sato</i>	
	06.08.24	06.08.24	06.08.25	06.08.25	

SCALE	DRAWING NO.	PART NO.
2 : 1	EDC3-112082-72	HR31-5.08R-5PDL(72)
UNITS mm	HRS HIROSE ELECTRIC CO., LTD	CODE NO. CL131-0001-0-72

TO
R