

Oct.1.2024 Copyright 2024 HIROSE ELECTRIC CO., LTD. All Rights Reserved.
In case of consideration for using Automotive equipment / device which demand high reliability, kindly contact our sales window correspondents.

Fig.2 (1 : 1)

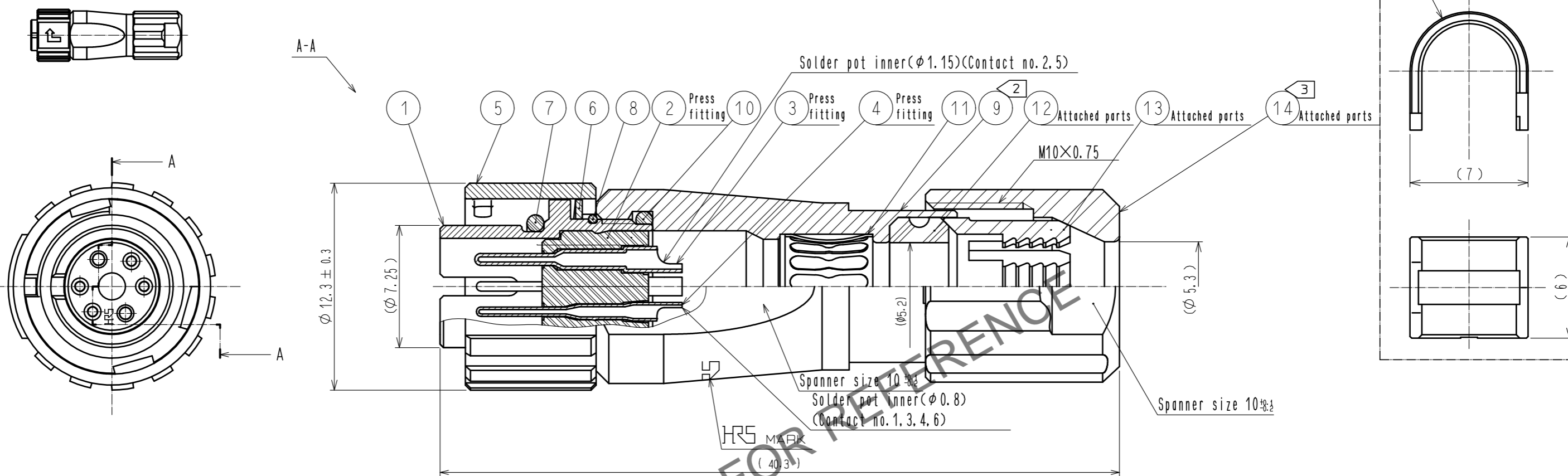
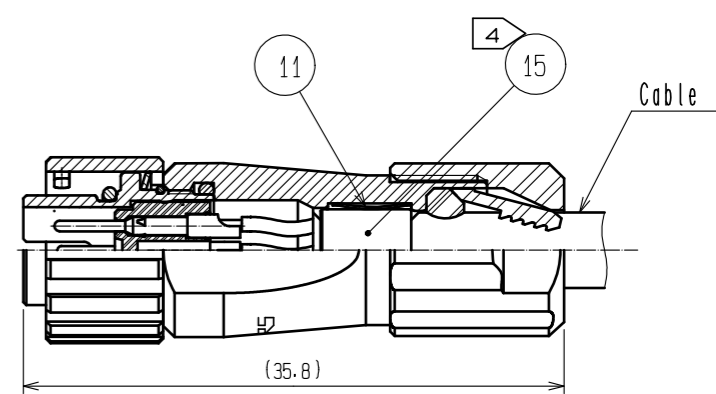


Fig.1 (2 : 1)



- Notes**
- ① Plating(ref. no. ③, ④)
Contact area : gold 0.2 μm min
Lead area : gold 0.03 μm min
Under plating : nickel 2 μm min
 - ② The recommended clamp torque of ref. No. ⑨ to be 1 to 1.5 n · m.
Thread locker to the threaded portion of ref. no. ① is recommended to prevent ref. No. ⑨ from loosening.
Recommended thread locker: loctite 263, henkel japan ltd.
 - ③ The recommended clamp torque of ref. no. ⑭ to be 0.8 to 1 n · m.
Thread locker and lock primer to the threaded portion M10 x 0.75 of ref. No. ⑨ is recommended
To prevent ref. no. ⑭ from loosening.
Recommended thread locker and lock primer : loctite 263, lock primer 7649, henkel japan ltd.
 - ④ Fasten ref. no. ⑮ to the cable with the cable crimping tool.
And make ref. no. ⑮ contact with ref. no. ① (refer to fig.1).
Applicable cable crimping tool : HR10A-TC-02(CL150-0041-2)(the hole diameter for crimping: φ5.3)
 - ⑤ Fig.2 shows the appearance after assembly.
 - ⑥ Applicable cable assembly fixture : LF07BP-T01(CL150-0232-0)
Cable assembly fixture is used as a receptacle stand of extract
And the part no. ① of an assembly.
 - ⑦ Rotation examples of no. ⑤, ⑨ and ⑭ to ① are shown.
 - ⑧ The cable pull and twisting strength, waterproof tightness and other characteristics may differ,
depending on the cable structure. please confirm before the use.

8	Stainless steel		15	Brass	Nickel plating
7	Chloroprene rubber	(Black)	14	PPS	(Natural, Brown) UL94V-0
6	Stainless steel		13	Polyamide	(Natural, Milky white) UL94V-0
5	Zinc alloy	Nickel plating	12	Chloroprene rubber	(Black)
4	Copper alloy	①	11	Phosphor bronze	Nickel plating
3	Copper alloy	①	10	Chloroprene rubber	(Black)
2	PPS	(Black) UL94V-0	9	Zinc alloy	Nickel plating
1	Zinc alloy	Nickel plating			
NO.	MATERIAL	FINISH . REMARKS	NO.	MATERIAL	FINISH . REMARKS

UNITS mm		SCALE 4 : 1	COUNT 	DESCRIPTION OF REVISIONS	DESIGNED	CHECKED	DATE
HRS HIROSE ELECTRIC CO., LTD.		APPROVED : HY. KOBAYASHI	18.02.22	DRAWING NO.	EDC-119201-31-00		
		CHECKED : HY. KOBAYASHI	18.02.22	PART NO.	LF07WBP-6P-A(31)		
		DESIGNED : TY. SUZUKI	18.02.21	CODE NO.	CL136-0016-0-31		
		DRAWN : HM. SAITO	18.02.19				