

Dec.1.2022 Copyright 2022 HIROSE ELECTRIC CO., LTD. All Rights Reserved.
In case of consideration for using Automotive equipment / device which demand high reliability, kindly contact our sales window correspondents.

Fig. 2 (1:1)

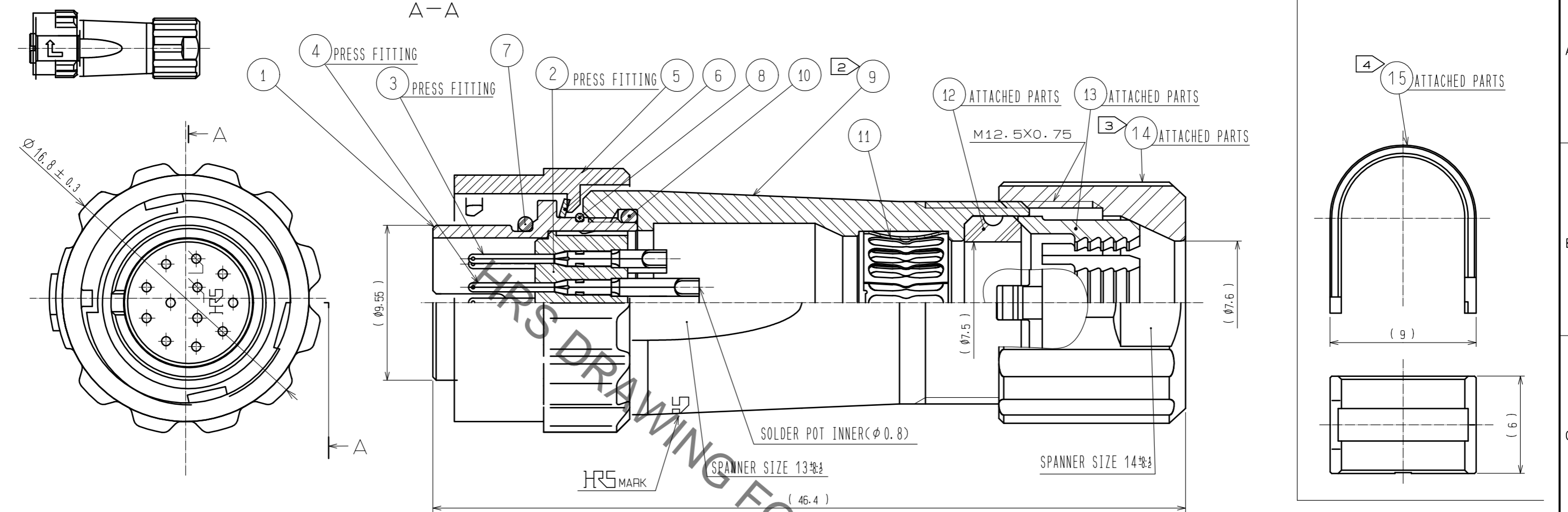


Fig. 1 (2:1)

- NOTES
- ① PLATING (REF. NO. ③, ④)
CONTACT AREA : GOLD 0.2μm min.
OTHERS : GOLD OR NICKEL
UNDER PLATING : NICKEL 2μm min.
 - ② THE RECOMMENDED CLAMP TORQUE OF REF. NO. ⑨ TO BE 1 TO 1.5N·m.
THREAD LOCKER TO THE THREADED PORTION OF REF. NO. ⑨ IS RECOMMENDED TO PREVENT REF. NO. ⑨ FROM LOOSING.
RECOMMENDED THREAD LOCKER: LOCTITE 263, HENKEL JAPAN LTD.
 - ③ THE RECOMMENDED CLAMP TORQUE OF REF. NO. ⑭ TO BE 0.8 TO 1N·m.
THREAD LOCKER AND LOCK PRIMER TO THE THREADED PORTION M12.5X0.75 OF REF. NO. ⑨ IS RECOMMENDED TO PREVENT REF. NO. ⑭ FROM LOOSING.
RECOMMENDED THREAD LOCKER AND LOCK PRIMER : LOCTITE 263, LOCK PRIMER 7649, HENKEL JAPAN LTD.
 - ④ FASTEN REF. NO. ⑮ TO THE CABLE WITH THE CABLE CRIMPING TOOL.
AND MAKE REF. NO. ⑮ CONTACT WITH REF. NO. ⑪ (REFER TO Fig. 1).
REFER TO THE TECHNICAL SPECIFICATION ETAD-C0099 FOR DETAILS.
APPLICABLE CABLE CRIMPING TOOL : LF-TC-01 (CL150-0234-6)
 - ⑤ Fig. 2 SHOWS THE APPEARANCE AFTER ASSEMBLY.
 - ⑥ APPLICABLE CABLE ASSEMBLY FIXTURE : LF10BP-T01 (CL150-0235-9)
CABLE ASSEMBLY FIXTURE IS USED AS A RECEPTACLE STAND OF EXTRACT AND THE PART NUMBER ① OF AN ASSEMBLY.
 - ⑦ ROTATION EXAMPLES OF REF. ⑤, ⑨ AND ⑭ TO ① ARE SHOWN.
 - ⑧ THE CABLE PULL, TWISTING STRENGTH, WATERPROOF ABILITY AND OTHER CHARACTERISTICS MAY DIFFER, DEPENDING ON THE CABLE STRUCTURE, PLEASE CONFIRM BEFORE THE USE.

NO.	MATERIAL	FINISH . REMARKS	NO.	MATERIAL	FINISH . REMARKS
8	STAINLESS STEEL		15	BRASS	NICKEL PLATING
7	CHLOROPRENE RUBBER	(BLACK)	14	PPS	(NATURAL·BROWN) UL94V-0
6	STAINLESS STEEL		13	POLYAMIDE	(NATURAL·MILKY WHITE) UL94V-0
5	ZINC ALLOY	NICKEL PLATING	12	CHLOROPRENE RUBBER	(BLACK)
4	COPPER ALLOY	①	11	PHOSPHOR BRONZE	NICKEL PLATING
3	COPPER ALLOY	①	10	CHLOROPRENE RUBBER	(BLACK)
2	PPS	(BLACK) UL94V-0	9	ZINC ALLOY	NICKEL PLATING
1	ZINC ALLOY	NICKEL PLATING			

UNITS	SCALE	COUNT	DESCRIPTION OF REVISIONS	DESIGNED	CHECKED	DATE
mm	4 : 1	△				
APPROVED : HY. KOBAYASHI			18.02.22	DRAWING NO. EDC-117089-31-00		
CHECKED : HY. KOBAYASHI			18.02.22	PART NO. LF10WBPD-12P(31)		
DESIGNED : TY. SUZUKI			18.02.21	CODE NO. CL136-0018-4-31		
DRAWN : HM. SAITO			18.02.19	①/1		