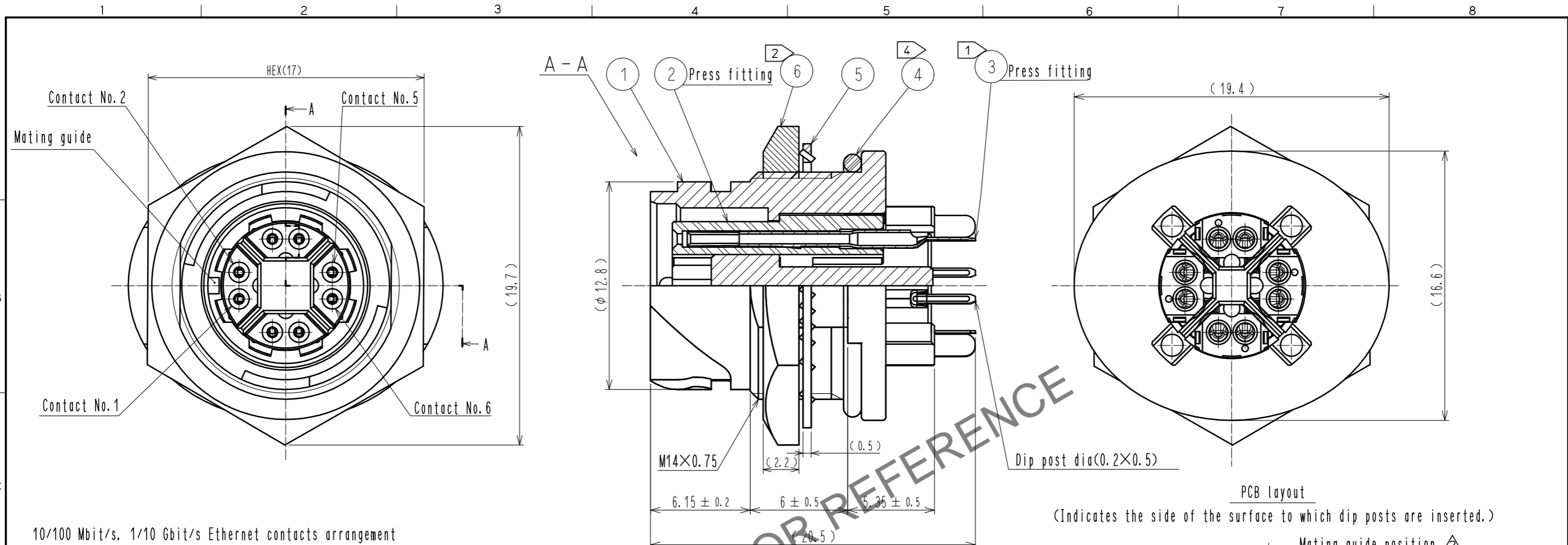
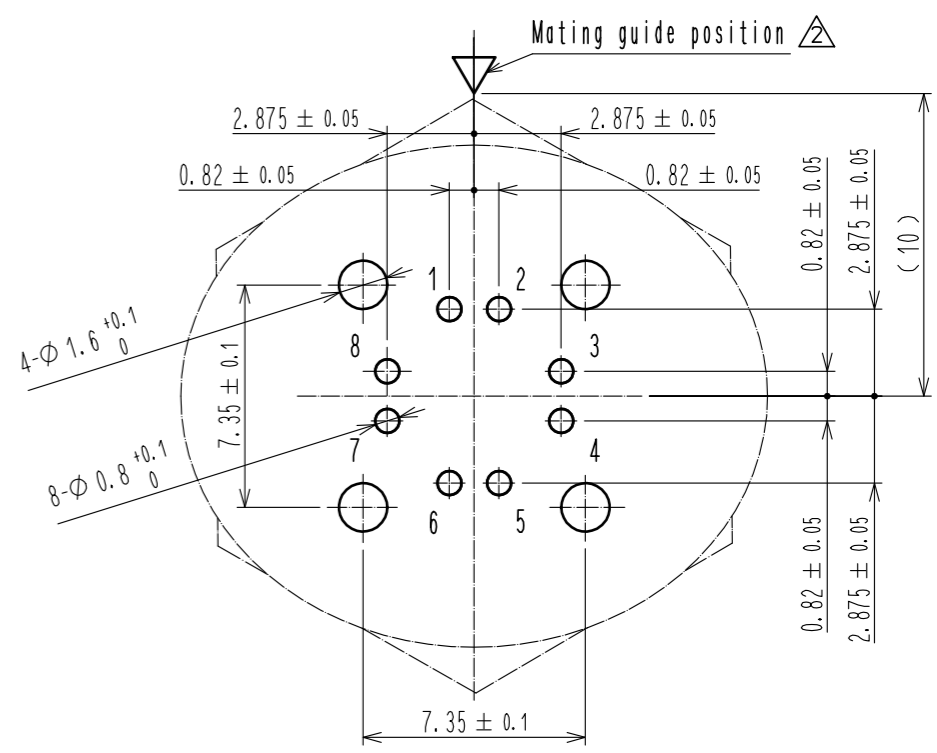
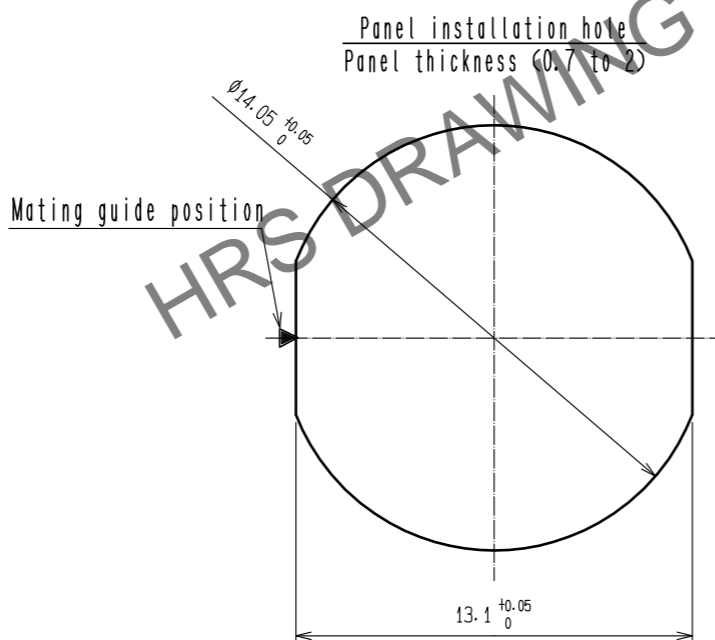


Oct.1.2024 Copyright 2024 HIROSE ELECTRIC CO., LTD. All Rights Reserved.
In case of consideration for using Automotive equipment / device which demand high reliability, kindly contact our sales window correspondents.



Contact No.	Signal	
	10/100 Mbit/s	1/10 Gbit/s
1	TX+	BI_DA+
2	TX-	BI_DA-
3	N.C	BI_DC+
4	N.C	BI_DC-
5	RX+	BI_DB+
6	RX-	BI_DB-
7	N.C	BI_DD+
8	N.C	BI_DD-



- Notes
- ① Plating(Ref.No. ③)
 Contact area : Gold 0.2μm min.
 Dip area : Gold 0.03μm min.
 Under plating : Nickel 2μm min.
 - ② The recommended threaded torque of ref.No. ⑥ to be 2~2.5 N·m.
 Apply thread locker to the threaded position of ref.No. ① in order to prevent ref.No. ⑥ from loosening.
 Apply thread locker : Loctite 263, Henkel japan LTD.
 - ③ Rotation example of ref.No. ③ are shown.
 - ④ When installing this product in a housing, make sure that ref.No. ④ is securely installed in the groove of part number (1) as shown in the illustration.
 If ref.No. ④ is detached or engaged, the waterproof property will not be maintained.
 - ⑤ This product must be soldered in accordance with the harnessing instructions ETAD-C0480-00.
 - ⑥ Refer to Packing Specification ETAP-C0452-00 for the packaging of this product.

NO.	MATERIAL	FINISH . REMARKS	NO.	MATERIAL	FINISH . REMARKS
3	Phosphor bronze	①	6	Brass	Nickel plating
2	PPS	(Black)	5	Phosphor bronze	Nickel plating
1	Zinc alloy	Nickel plating	4	Silicone	(Red)

UNITS	SCALE	COUNT	DESCRIPTION OF REVISIONS	DESIGNED	CHECKED	DATE
mm	4 : 1	1	DIS-C-00018380	SH. KOYAMA	KI. NAGANUMA	20240919

APPROVED	DATE	DRAWING NO.
TP. KOMATSU	20230120	EDC-391834-40-00
CHECKED	DATE	PART NO.
KI. NAGANUMA	20230120	LF10WBRBH-8SD(40)
DESIGNED	DATE	CODE NO.
KN. IKEHARA	20230120	CL0136-0058-0-40
DRAWN	DATE	
KN. IKEHARA	20230120	