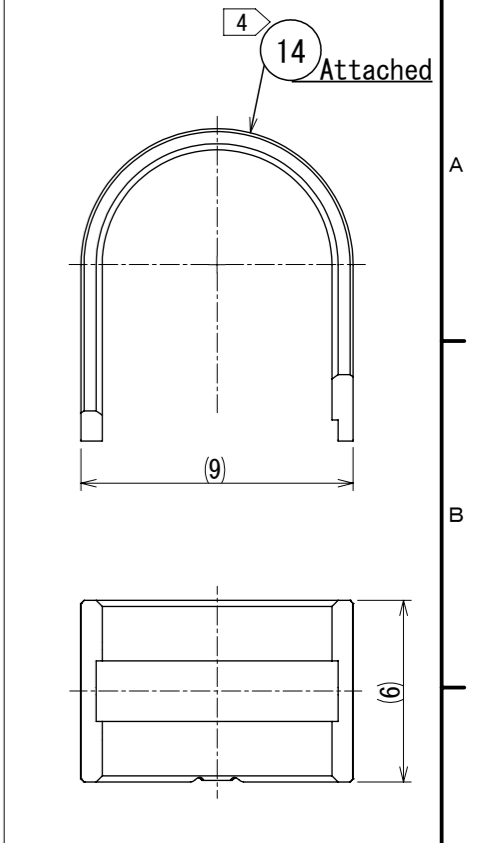
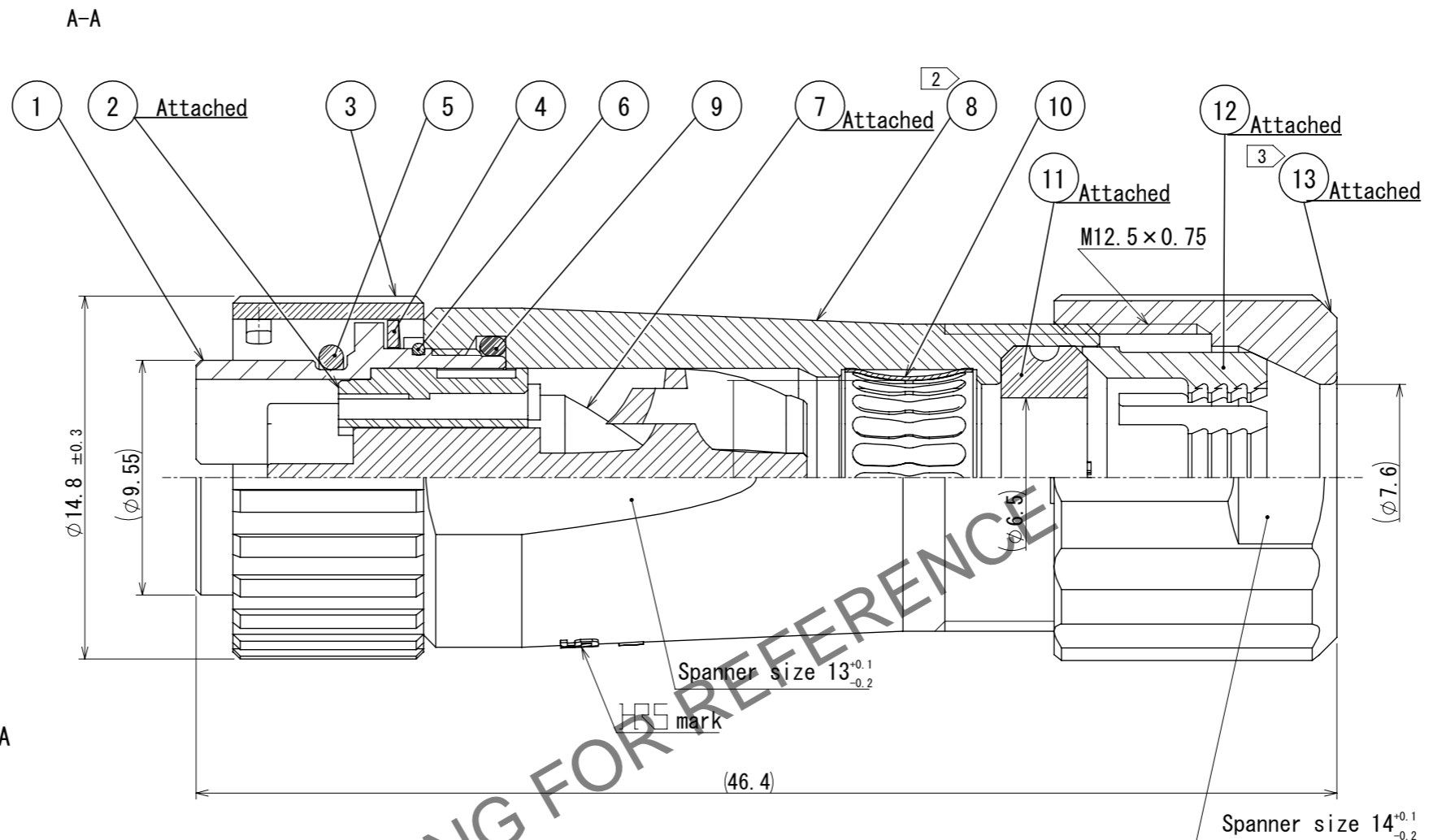
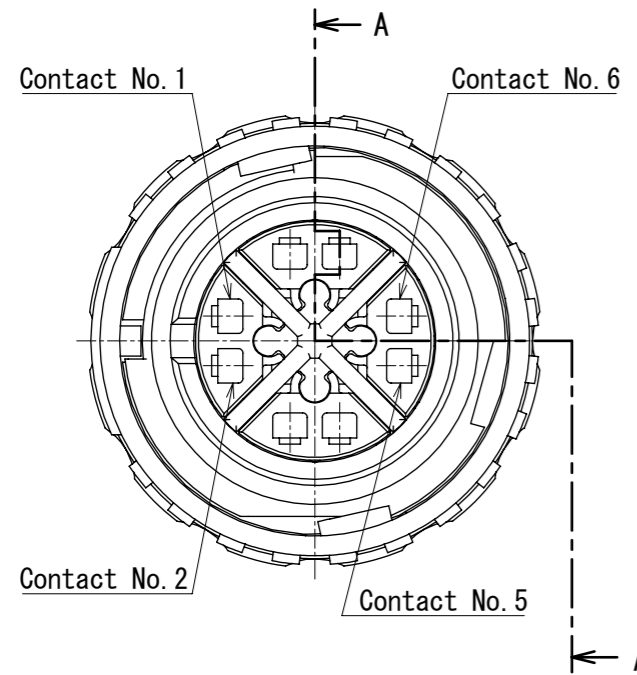
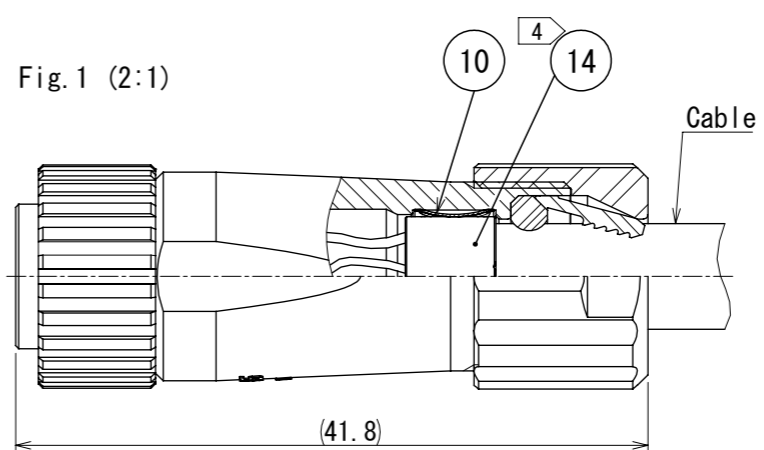


Jan.1.2025 Copyright 2025 HIROSE ELECTRIC CO., LTD. All Rights Reserved.
In case of consideration for using Automotive equipment / device which demand high reliability, kindly contact our sales window correspondents.



- Notes**
- Applicable crimp contact : HR30-PC-211 (CL0130-0016-0-00) Reel contact (10,000 pos/reel)
HR30-PC-111 (CL0130-0022-3-00) Disparted contact (100 pos/pack)
Applicable wire : AWG #26 to 30 (Wire insulation outer diameter $\phi 1$ max.)
Applicable crimp tool : Hand crimp tool HT-102/HR30-1 (CL150-0229-6)
: Automatic crimping machine CM-105C (CL901-0001-0)
/ Applicator AP105-HR30-1 (901-2049-0)
Contact extraction tool : HR30-TP (CL150-0219-2)
 - The recommended clamp torque of ref. No. ⑧ to be 1 to 1.5 N·m.
Thread locker to the threaded portion of ref. No. ① applies to prevent ref.No. ⑧ from loosening.
Recommended thread locker : LOCTITE 263, HENKEL JAPAN LTD.
 - The recommended clamp torque of ref. No. ⑬ to be 0.8 to 1 N·m.
Thread locker and lock primer to the threaded portion M12.5×0.75 of ref.No. ⑧ applies to prevent ref.No. ⑧ from loosening.
Recommended thread locker and lock primer : LOCTITE 263, LOCK PRIMER 7649, HENKEL JAPAN LTD.
 - Fasten ref.No. ⑭ to the cable with the cable crimping tool.
and make ref.No. ⑭ contact with ref.No. ⑩ (Refer to Fig.1).
Refer to the technical specification ETAD-C0480-00 for details.
Applicable cable crimping tool : LF-TC-01 (CL150-0234-6)
 - Applicable cable assembly fixture : LF10BP-T01 (CL150-0235-9)
Cable assembly fixture is used as a receptacle stand of extract and the part number ① of an assembly.
 - Rotation examples of ref.No. ③, ⑧ and ⑬ to ① are shown.
 - Cable pull force, twisting strength, water tightness and other characteristics may differ depending on cable specifications and structure.
Please evaluate under the actual conditions prior to use.
 - Refer to Packing Specification ETAP-C0451-00 for the packaging of this product.



10/100 Mbit/s, 1/10 Gbit/s Ethernet pin assign

Contact No.	Signal	
	10/100 Mbit/s	1/10 Gbit/s
1	TX+	BI_DA+
2	TX-	BI_DA-
3	N, C	BI_DC+
4	N, C	BI_DC-
5	RX+	BI_DB+
6	RX-	BI_DB-
7	N, C	BI_DD+
8	N, C	BI_DD-

△ CAD change

NO.	MATERIAL	FINISH	REMARKS	NO.	MATERIAL	FINISH	REMARKS
7	Zinc alloy	Nickel plating		14	Brass	Nickel plating	
6	Stainless steel			13	Polyphenylene sulfide	(Natural, Brown)	
5	Silicone rubber	(Black)		12	Polyamide	(Natural, Milky white)	
4	Stainless steel			11	Silicone rubber	(Black)	
3	Zinc alloy	Nickel plating		10	Phosphor bronze	Nickel plating	
2	Polyphenylene sulfide	(Black)		9	Silicone rubber	(Black)	
1	Zinc alloy	Nickel plating		8	Zinc alloy	Nickel plating	

UNITS mm		SCALE 4:1	COUNT 1	DESCRIPTION OF REVISIONS DIS-C-00019006	DESIGNED Y.J. KOGA	CHECKED HY. KOBAYASHI	DATE 2025. 01. 27
HRS HIROSE ELECTRIC CO., LTD.		APPROVED : TP. KOMATSU 2023. 01. 20	CHECKED : KI. NAGANUMA 2023. 01. 20	DESIGNED : KN. IKEHARA 2023. 01. 20	DRAWN : KN. IKEHARA 2023. 01. 20	DRAWING NO. EDC-398535-40-00 PART NO. LF10WPBH-8PC (40) CODE NO. CL0136-0072-0-40	